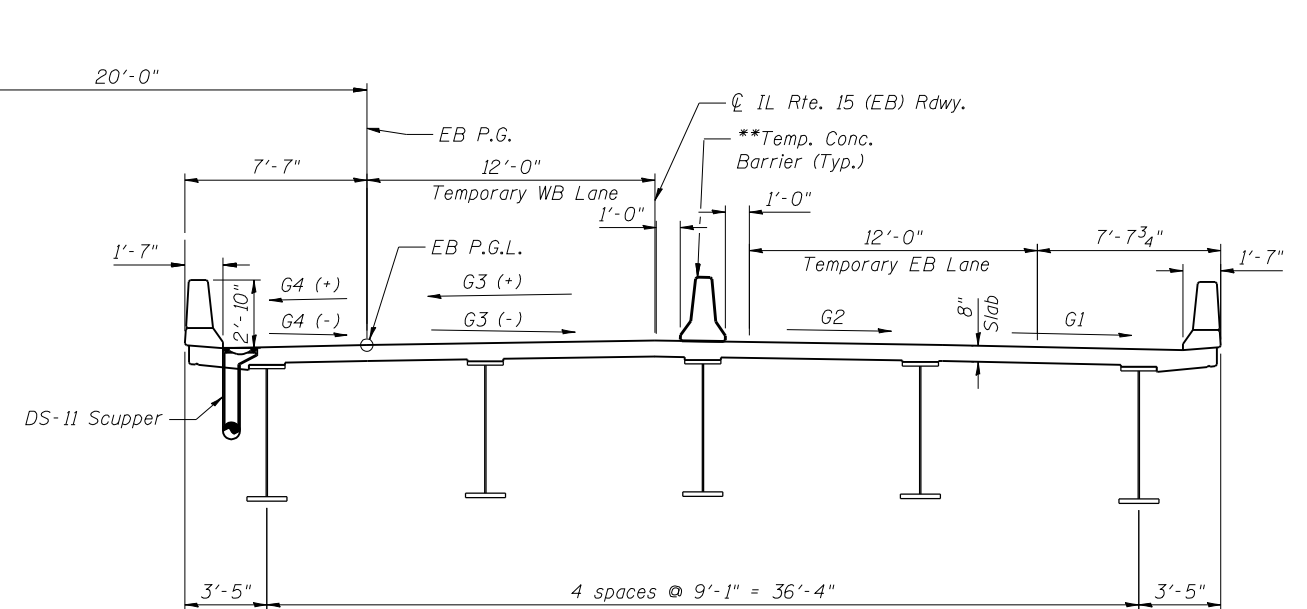
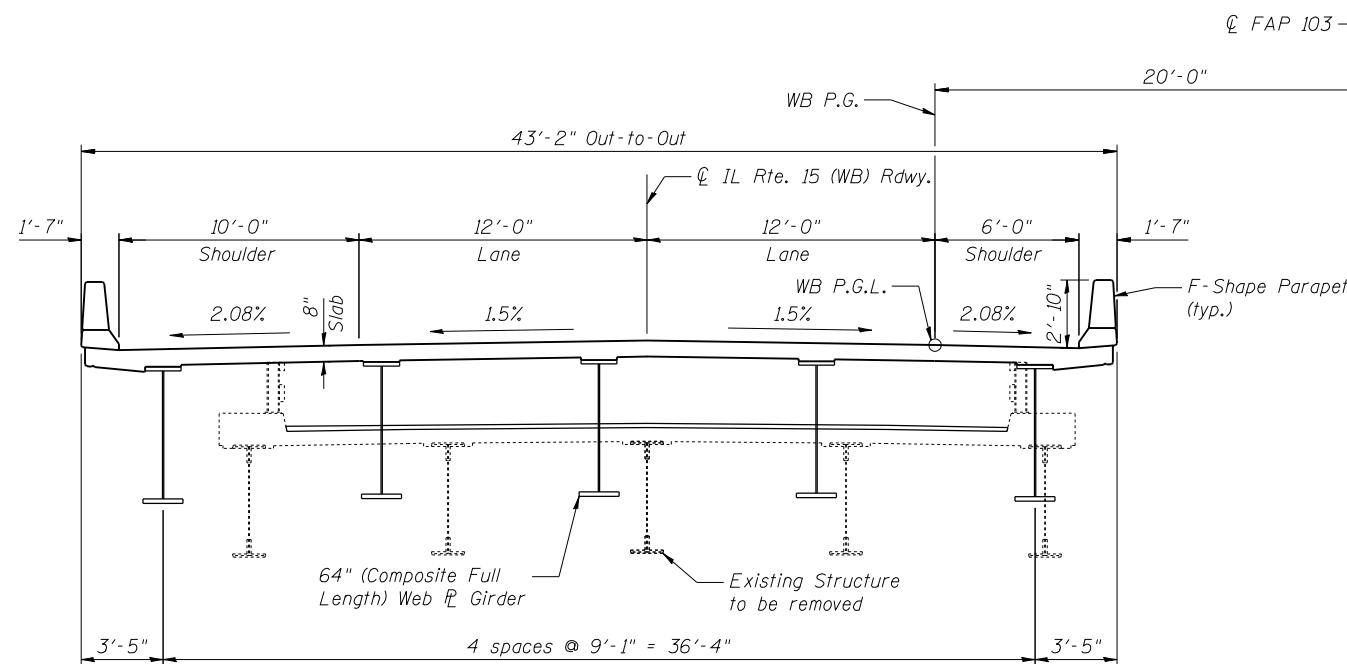


STAGE I REMOVAL & CONSTRUCTION
(Looking East)

STATION	G1	G2	G3	G4
Up to Sta. 707+64.2	2.08%	1.5%	1.5%	2.08%
Sta. 708+01.4	2.08%	1.5%	0%	
Sta. 708+61.4	2.08%	1.5%	-1.5%	*
Sta. 709+05.4	*	2.6%	-2.6%	
Sta. 709+57.4	3.9%	3.9%	-3.9%	-3.9%

*Uniform Transition



STAGE II REMOVAL & CONSTRUCTION
(Looking East)

**For "Temporary Concrete Barrier" see Standard 704001 & Roadway Plans

FILE NAME = 082017-0118-76884-005-StageConst.dgn



USER NAME = brazzera	DESIGNED - BTO	REVISED -
	CHECKED - RAB	REVISED -
PLOT SCALE = 8x0.0000 '1' / IN.	DRAWN - RAB	REVISED -
PLOT DATE = 10/19/2011	CHECKED - JAN	REVISED -

**STATE OF ILLINOIS
DEPARTMENT OF TRANSPORTATION**

**STAGE CONSTRUCTION DECK SECTIONS
STRUCTURE NO. 082-0117 (E.B.) & 082-0118 (W.B.)**

SHEET NO. S-5 OF S-62 SHEETS

F.A.P. RTE. 103	SECTION 27-1-VHB-1	COUNTY ST. CLAIR	TOTAL SHEETS 277	SHEET NO. 120
			CONTRACT NO. 76884	
ILLINOIS FED. AID PROJECT				