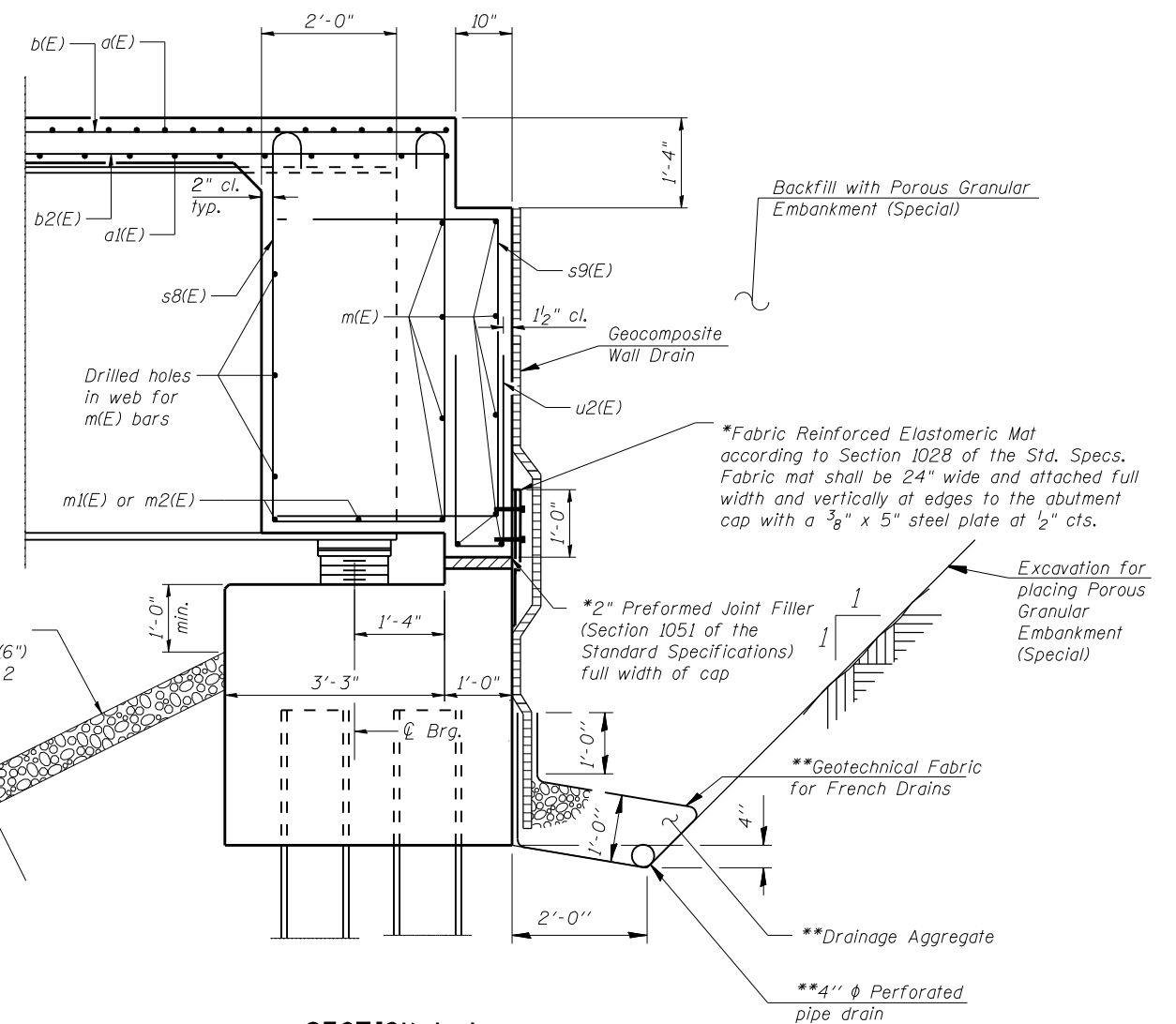


DIAPHRAGM ELEVATION AT EAST ABUTMENT



SECTION A-A

Dimensions at right angles to abutment, except as shown.
* Cost included with Concrete Superstructure.

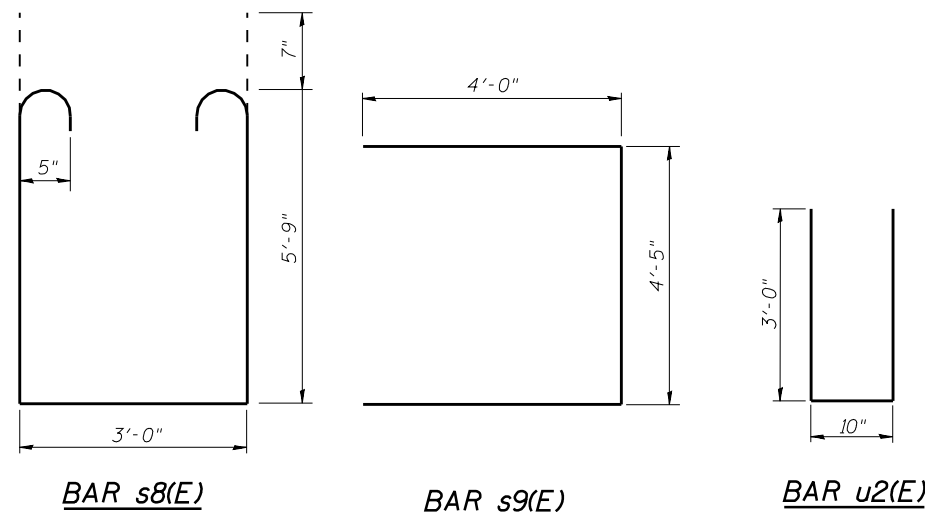
**Included in the cost of Pipe Underdrains for Structures

Notes:
Reinforcement bars in diaphragm are billed with superstructure on sheet S-23 & S-24 of S-62.

Concrete in diaphragm is included with Concrete Superstructure on sheet S-23 & S-24 of S-62.

The s8(E), s9(E) and u2(E) bars shall be placed parallel to the beams. Spacing for these bars shall be at right angles to the beams.

Bars indicated thus 4 x 3-#6 etc. indicates 4 lines of bars with 3 lengths per line.



MIN. BAR LAP

#6 bar = 3'-10"

BILL OF MATERIAL

ITEM	UNIT	TOTAL
Porous Granular Embankment, Special	Cu. Yd.	333

(Includes both Eastbound and Westbound Structures)

FILE NAME = 0820117-0118-76884-022-EastSuperstr-Details.dgn



USER NAME = brazzara	DESIGNED - RAB	REVISED -
	CHECKED - SAB	REVISED -
PLOT SCALE = 4:0.0000 '1' / IN.	DRAWN - RAB	REVISED -
PLOT DATE = 10/19/2011	CHECKED - JAN	REVISED -

**STATE OF ILLINOIS
DEPARTMENT OF TRANSPORTATION**

**EAST SUPERSTRUCTURE DETAILS
STRUCTURE NO. 082-0117 (E.B.) & 082-0118 (W.B.)**

SHEET NO. S-22 OF S-62 SHEETS

F.A.P. RTE.	SECTION	COUNTY	TOTAL SHEETS	SHEET NO.
103	27-1-VHB-1	ST. CLAIR	277	137
CONTRACT NO. 76884				
ILLINOIS FED. AID PROJECT				