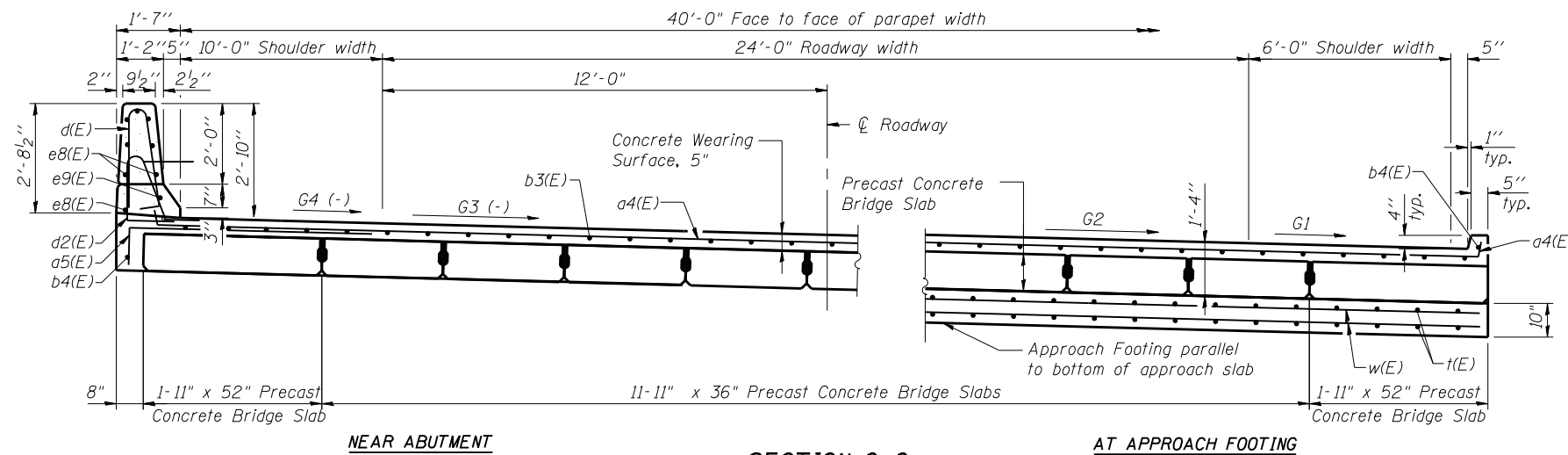
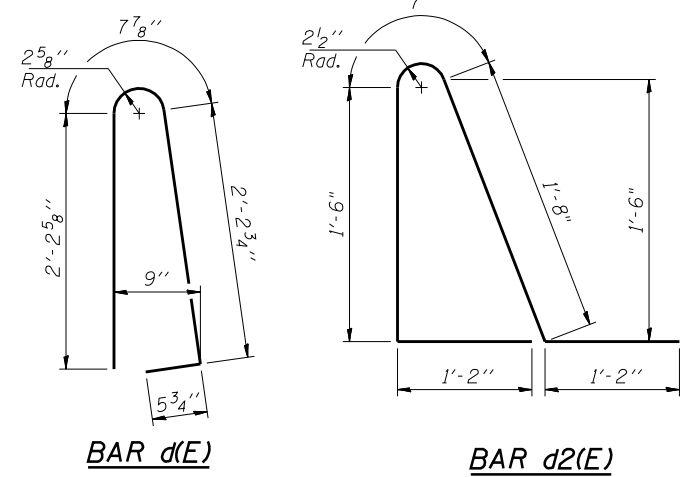
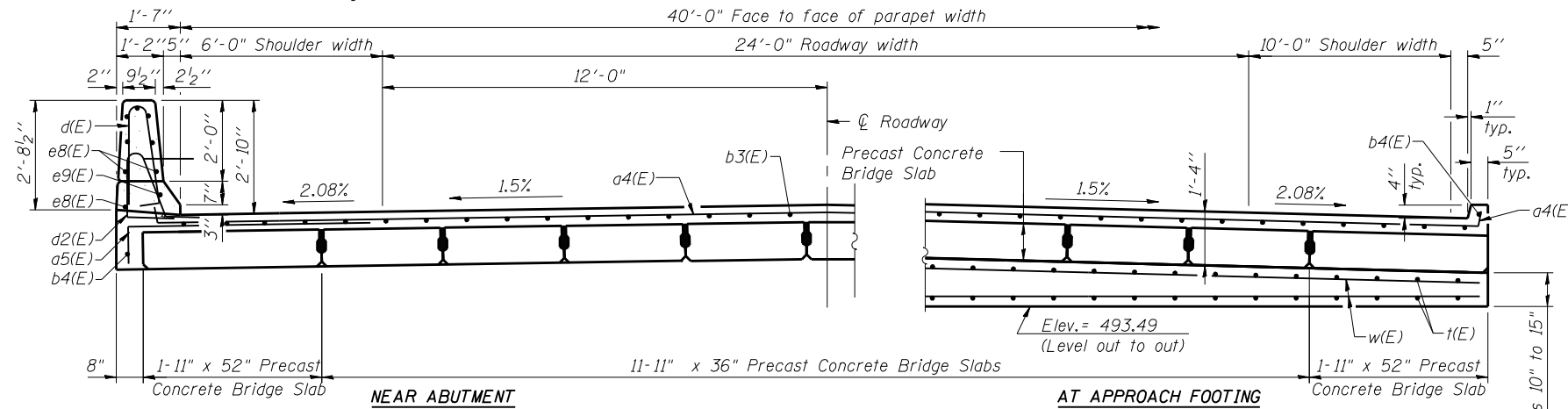


Notes:
 See sheet S-27 & S-28 of S-62 for Detail A and View B-B.
 Cast-in-place substitution of Precast Concrete Bridge Slab is now allowed.
 Parapet concrete shall be paid for as Concrete Superstructure.
 Parapet and wearing surface reinforcement shall be paid for as Reinforcement Bars, Epoxy Coated.
 Approach footing concrete shall be paid for as Concrete Structures.
 The approach footing maximum applied service bearing pressure (Q_{max}) = 2.0 ksf.
 Cost of excavation for approach footing included with Concrete Structures.
 For Porous Granular Embankment (Special) and drainage treatment details, see sheet S-21 & S-22 of S-62.
 Any concrete poured monolithically with the wearing surface, such as curbs, will not be paid for separately, but will be included in the cost of Concrete Wearing Surface, 5".
 For additional parapet details, see sheet S-23 of S-62.
 For Precast Concrete Bridge Slab details, see sheet S-33 of S-62.

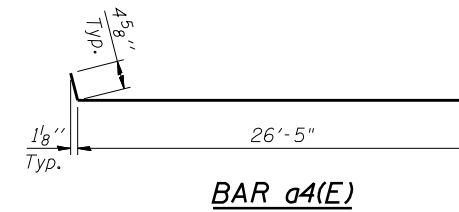
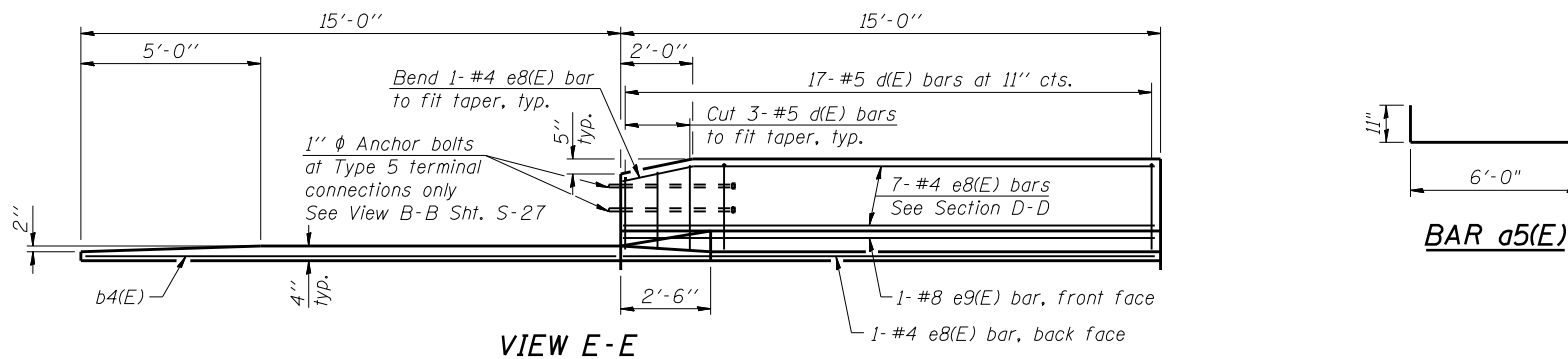
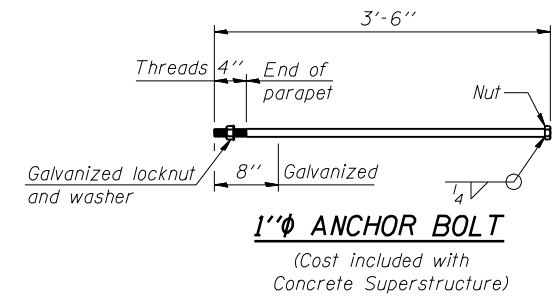


CROSS SLOPES

STATION	G1	G2	G3	G4
Up to Sta. 707+64.2	2.08%	1.5%	1.5%	2.08%
Sta. 708+01.4	2.08%	1.5%	0%	
Sta. 708+61.4	2.08%	1.5%	-1.5%	*
Sta. 709+05.4		2.6%	-2.6%	
Sta. 709+57.4	3.9%	3.9%	-3.9%	-3.9%

**TWO APPROACHES
BILL OF MATERIAL**

Bar	No.	Size	Length	Shape
a4(E)	124	#4	26'-10"	U
a5(E)	56	#6	6'-11"	U
b3(E)	80	#4	29'-8"	—
b4(E)	8	#4	14'-8"	—
d(E)	68	#5	5'-7"	U
d2(E)	68	#5	6'-1"	U
e8(E)	32	#4	14'-8"	—
e9(E)	4	#8	14'-8"	—
t(E)	172	#4	11'-3"	—
w(E)	160	#5	26'-6"	—
Concrete Superstructure		Cu. Yd.	6.7	
Concrete Structures		Cu. Yd.	33.5	
Reinforcement Bars, Epoxy Coated		Pound	11,490	
Precast Concrete Bridge Slab		Sq. Ft.	2,510	
Concrete Wearing Surface, 5"		Sq. Yd.	279	



FILE NAME = 0820117-0118-76884-031-EBApp-Detail.dgn



USER NAME = brazzano	DESIGNED - RAB	REVISED -
PLOT SCALE = 0:2.0000 '1' / IN.	CHECKED - BTO	REVISED -
PLOT DATE = 12/14/2011	DRAWN - RAB	REVISED -
	CHECKED - JAN	REVISED -

**STATE OF ILLINOIS
DEPARTMENT OF TRANSPORTATION**

**EASTBOUND COMPOSITE APPROACH SLAB DETAILS
STRUCTURE NO. 082-0117 (E.B.) & 082-0118 (W.B.)**

SHEET NO. S-31 OF S-62 SHEETS

F.A.P. RTE.	SECTION	COUNTY	TOTAL SHEETS	SHEET NO.
103	27-1-VHB-1	ST. CLAIR	277	146
			CONTRACT NO. 76884	
ILLINOIS FED. AID PROJECT				