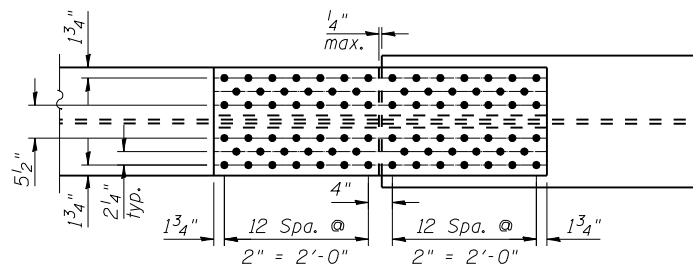
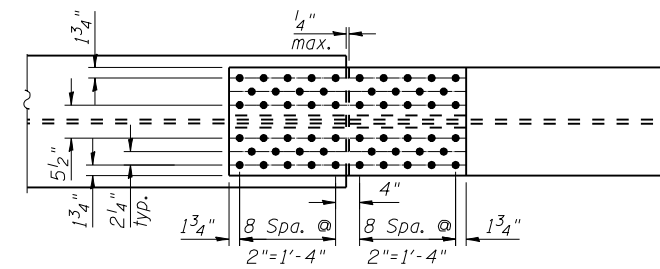


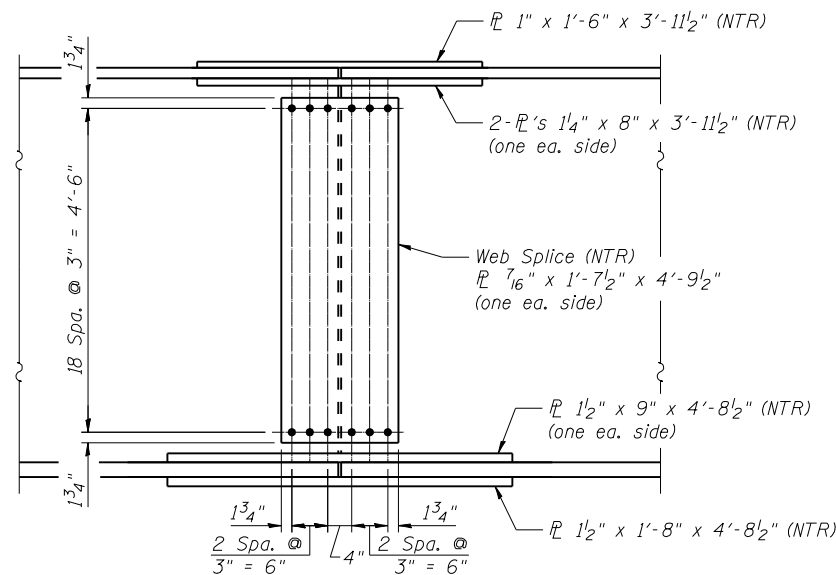
TOP FLANGE



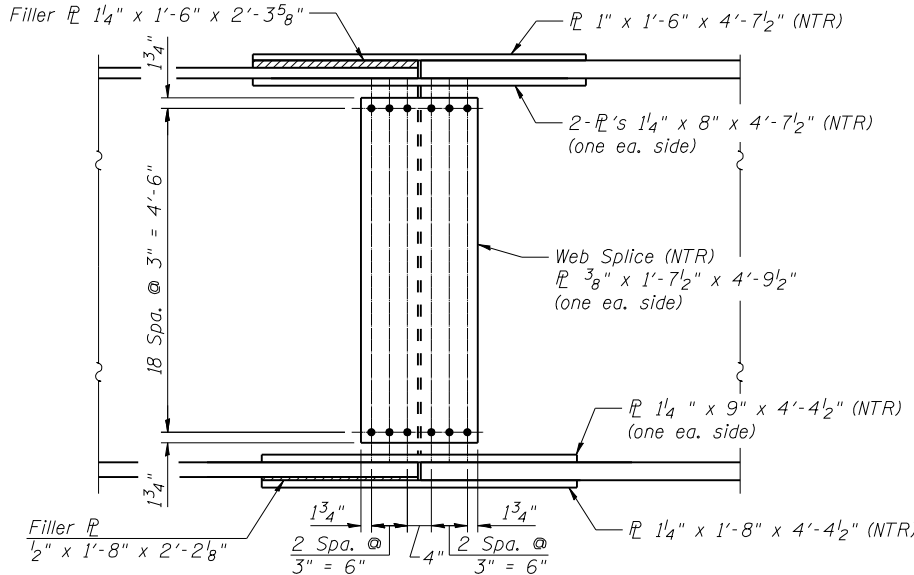
TOP FLANGE



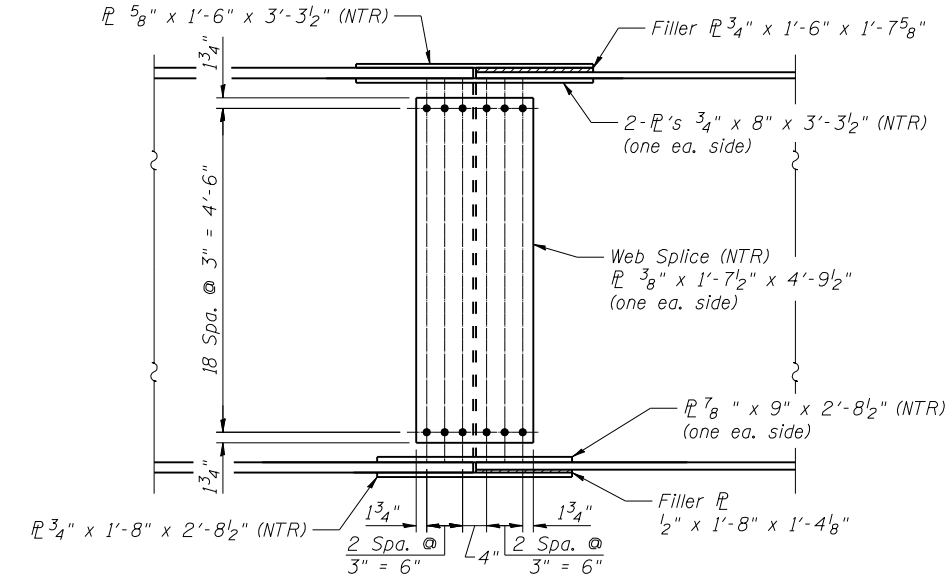
TOP FLANGE



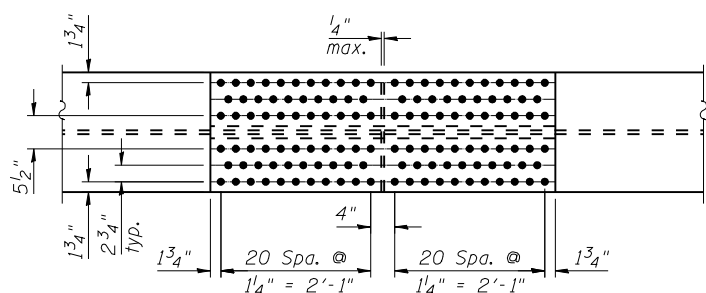
ELEVATION



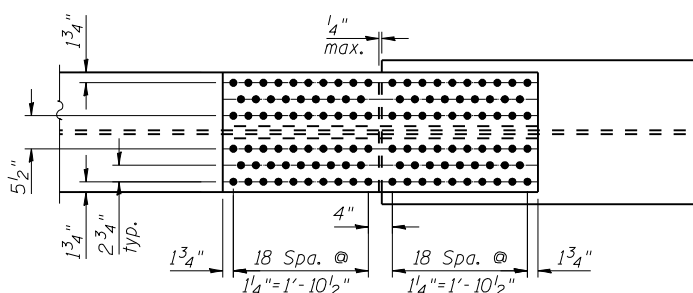
ELEVATION



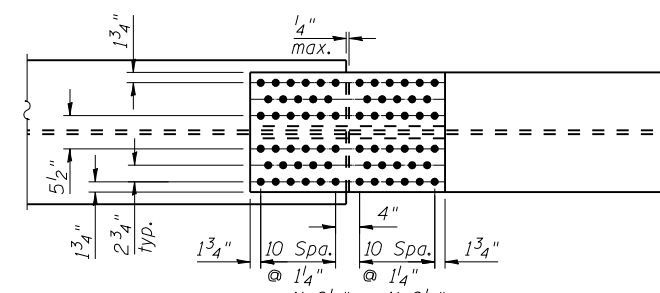
ELEVATION



BOTTOM FLANGE



BOTTOM FLANGE



BOTTOM FLANGE

FIELD SPLICE 1
(10-Required)

FIELD SPLICE 2
(10-Required)

FIELD SPLICE 3
(10-Required)

- NOTES:**
- Fasteners shall be AASHTO M164 Type 1, mechanically galvanized bolts. Bolts shall be 7/8" ϕ , holes 15/16" ϕ .
 - AASHTO M270 Grade 50 steel shall be used for all splice plates, except fill plates which may be AASHTO M270 Grade 36 or 50.
 - Load carrying components designated "NTR" shall conform to the Supplemental Requirements for Notch Toughness (Zone 2), including all flange and web splice plates (except fill plates).
 - Shear connector studs shall not be placed on top of splice plates.

FILE NAME = 0820117-0118-76884-035-Splice.dgn



USER NAME = brazzera	DESIGNED - BTO	REVISED -
PLOT SCALE = 2x8.0000 '1' / IN.	CHECKED - SAB	REVISED -
PLOT DATE = 10/19/2011	DRAWN - BTO	REVISED -
	CHECKED - JAN	REVISED -

**STATE OF ILLINOIS
DEPARTMENT OF TRANSPORTATION**

**STEEL DETAILS - SPLICES
STRUCTURE NO. 082-0117 (E.B.) & 082-0018 (W.B.)**

SHEET NO. S-35 OF S-62 SHEETS

F.A.P. RTE.	SECTION	COUNTY	TOTAL SHEETS	SHEET NO.
103	27-1-VHB-1	ST. CLAIR	277	150
CONTRACT NO. 76884				
ILLINOIS FED. AID PROJECT				