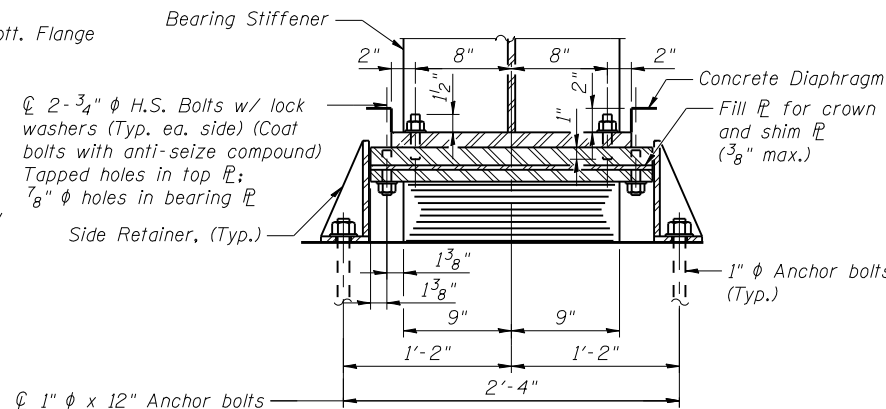
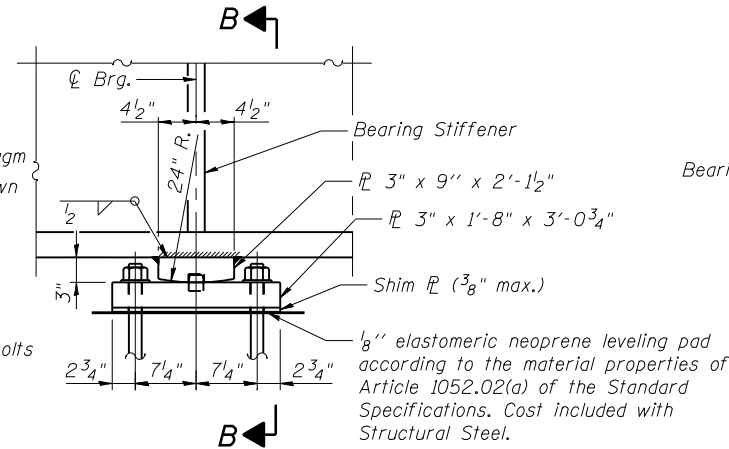


ELEVATION AT EAST ABUT.

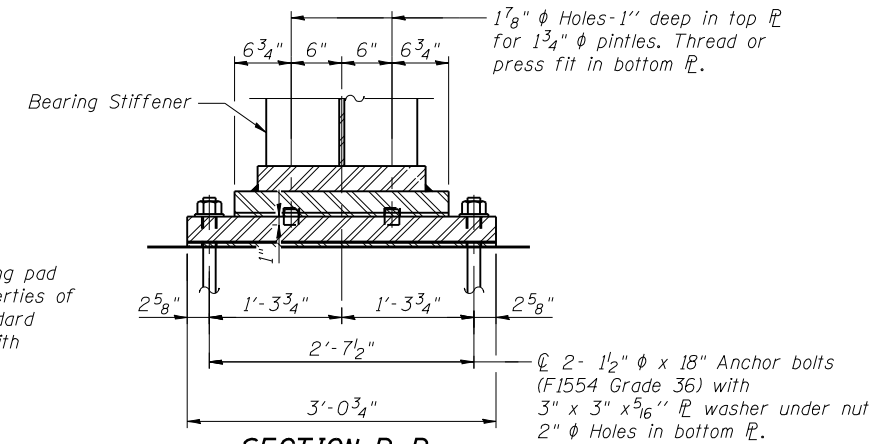


SECTION A-A

1" φ x 12" Anchor bolts (F1554 Grade 36) with 2 1/4" x 2 1/4" x 5/16" flange washer under nut

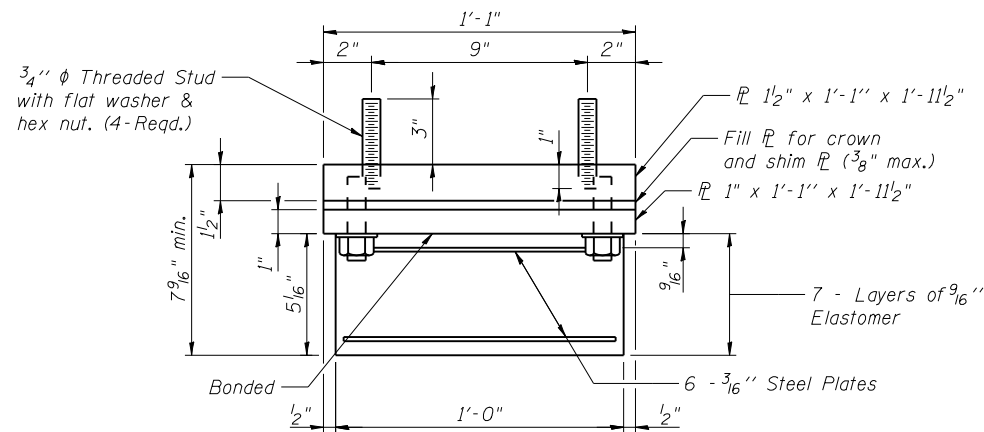


ELEVATION AT PIER



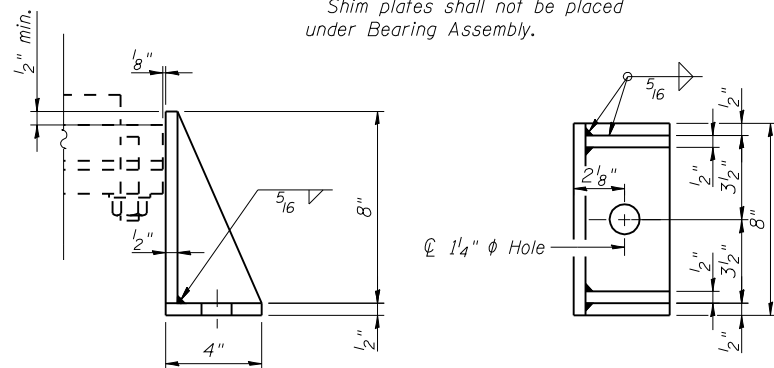
SECTION B-B

TYPE I ELASTOMERIC EXP. BRG.



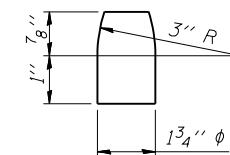
BEARING ASSEMBLY

Note: Shim plates shall not be placed under Bearing Assembly.



SIDE RETAINER

Equivalent rolled angle with stiffeners will be allowed in lieu of welded plates.



PINTLE

FIXED BEARING

Notes:

Anchor bolts shall be ASTM F1554 all-thread (or an Engineer-approved alternate material) of the grade(s) and diameter(s) specified. ASTM A307 Grade C anchor bolts may be used in lieu of ASTM F1554 Grade 36 (Fy=36ksi). The corresponding specified grade of AASHTO M314 anchor bolts may be used in lieu of ASTM F1554.

Anchor bolts at fixed bearings may be either cast in place or installed in holes drilled after the supported member is in place.

Anchor bolts for side retainers may be cast in place or installed in holes drilled before or after members are in place.

Drilled and set anchor bolts shall be installed according to Article 521.06 of the Standard Specifications.

Side retainers and other steel members required for the elastomeric bearing assembly shall be included in the cost of Elastomeric Bearing Assembly, Type I.

Steel for bearing plates shall be ASTM 572 Grade 50 (Fy=50 ksi)

The anchor bolt sizes and grades shown constitute a calculated seismic structural fuse. Substitution of higher diameter and/or grade anchor bolts will not be allowed.

BILL OF MATERIAL

(For each structure)

Item	Unit	Total
Elastomeric Bearing Assembly Type I	Each	5
Anchor Bolts, 1" φ	Each	10
Anchor Bolts, 1 1/2" φ	Each	20

FILE NAME = 0820117-0118-76884-038-BearingDetails1.dgn



USER NAME = brozzaro	DESIGNED - RAB	REVISED -
PLOT SCALE = 0:2.0000 '1' / IN.	CHECKED - BTO	REVISED -
PLOT DATE = 10/19/2011	DRAWN - RAB	REVISED -
	CHECKED - JAN	REVISED -

**STATE OF ILLINOIS
DEPARTMENT OF TRANSPORTATION**

**BEARING DETAILS, TYPE I ELASTOMERIC AND FIXED
STRUCTURE NO. 082-0117 (E.B.) & 082-0118 (W.B.)**

SHEET NO. S-38 OF S-62 SHEETS

F.A.P. RTE.	SECTION	COUNTY	TOTAL SHEETS	SHEET NO.
103	27-1-VHB-1	ST. CLAIR	277	153
CONTRACT NO. 76884				
ILLINOIS FED. AID PROJECT				