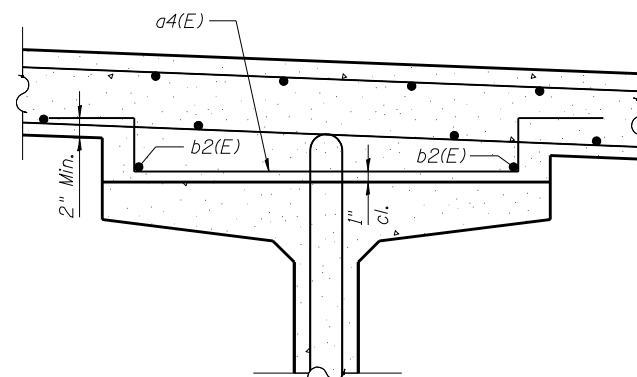


CROSS SECTION EASTBOUND

(Looking East)
*Radial Dimensions



FILLET REINFORCEMENT DETAIL

Notes:
See sheet S-20 of S-51 for parapet elevation, details and Bill of Material.
For diaphragm details see sheet S-18 of S-51.
See sheet S-20 of S-51 for parapet reinforcement.

FILE NAME = 0820119-0120-76884-016-DeckSectionEB.dgn



USER NAME = brazzano	DESIGNED - MJK	REVISED - -
	CHECKED - JAN	REVISED - -
PLOT SCALE = 3/8.0000 "/ IN.	DRAWN - MJK	REVISED - -
PLOT DATE = 10/19/2011	CHECKED - JAN	REVISED - -

**STATE OF ILLINOIS
DEPARTMENT OF TRANSPORTATION**

**DECK CROSS SECTION EASTBOUND
STRUCTURE NO. 082-0119 (E.B.) & 082-0120 (W.B.)**

SHEET NO. S-16 OF S-51 SHEETS

F.A.P. RTE.	SECTION	COUNTY	TOTAL SHEETS	SHEET NO.
103	27-1-VHB-1	ST. CLAIR	277	193
			CONTRACT NO. 76884	
ILLINOIS FED. AID PROJECT				