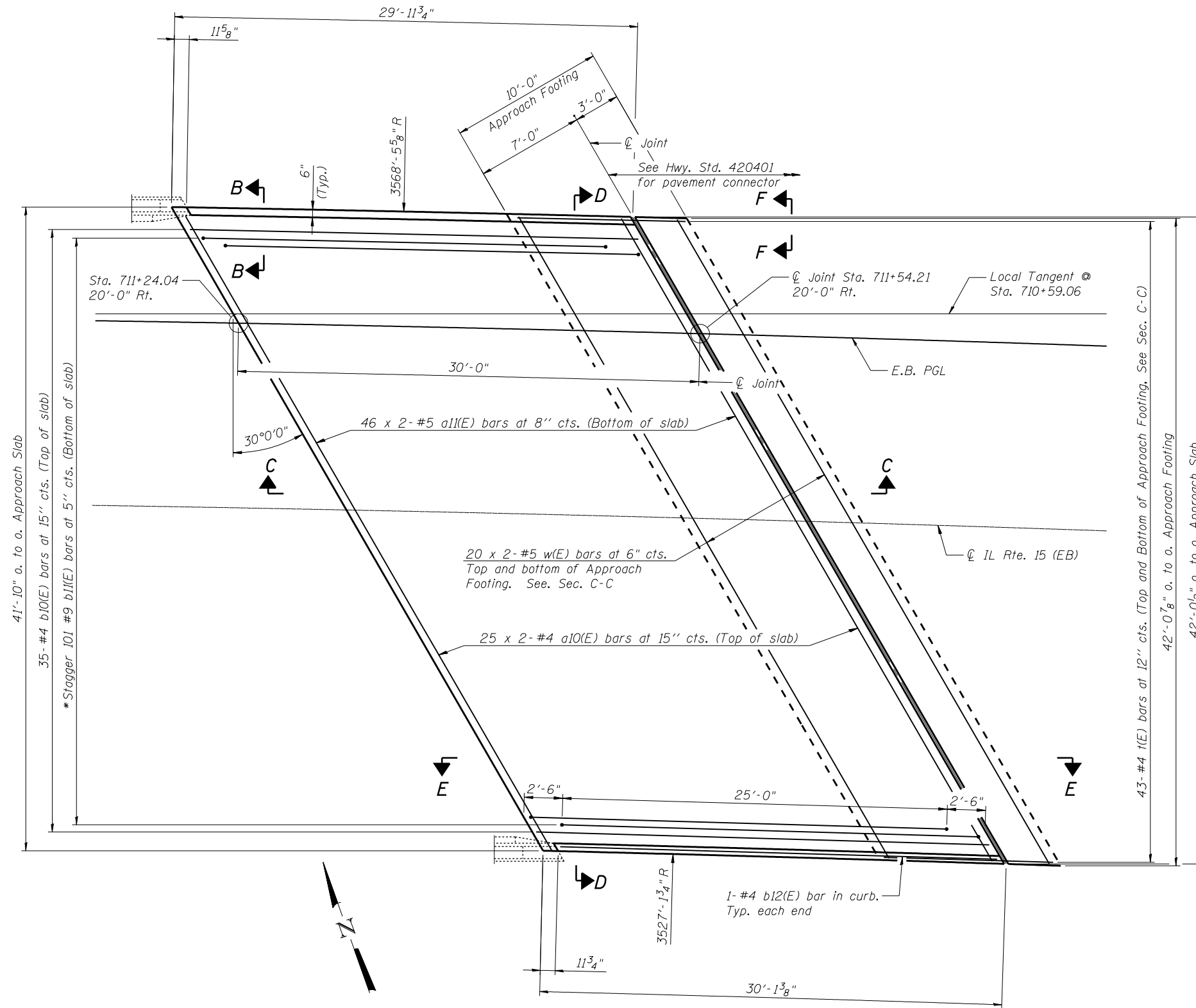
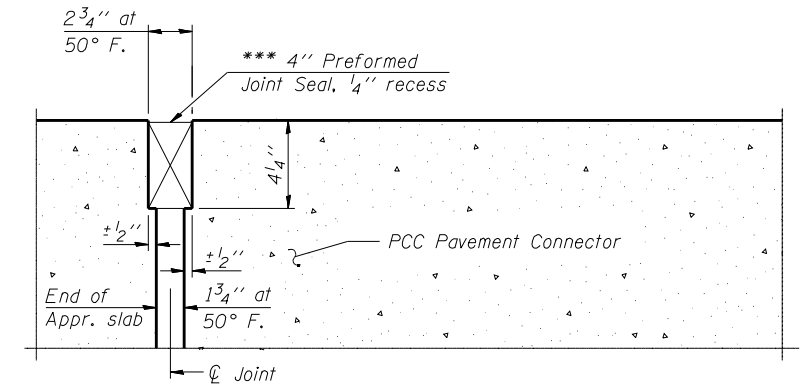


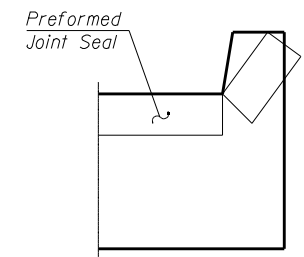
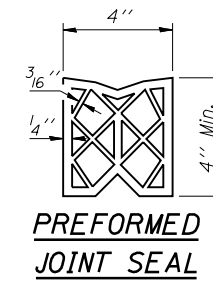
Notes:
 See sheet S-24 of S-51 for Sections C-C & D-D and View E-E.
 a10(E) and a11(E) bar spacings measured along \varnothing Rdwy.
 * Tilt #9 b11(E) bars as required to maintain clearance.
 *** Cost included with Concrete Superstructure.



EAST EASTBOUND APPROACH SLAB PLAN

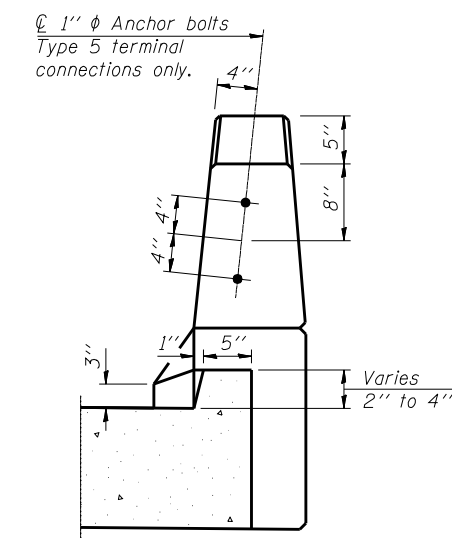


DETAIL A



VIEW F-F

Angle Preformed Joint Seal at 45° at curbs when req'd for drainage.



VIEW B-B

MINIMUM BAR LAP

#4 Bars = 1'-10"
 #5 Bars = 2'-7"

FILE NAME = 0820119-0120-76884-022-EastApproachPlanEB.dgn



USER NAME = brozzano	DESIGNED - MJK	REVISED - -
	CHECKED - BTO	REVISED - -
PLOT SCALE = 8x0' 1" / IN.	DRAWN - MJK	REVISED - -
PLOT DATE = 10/19/2011	CHECKED - BTO	REVISED - -

**STATE OF ILLINOIS
 DEPARTMENT OF TRANSPORTATION**

**EAST E.B. BRIDGE APPROACH SLAB PLAN
 STRUCTURE NO. 082-0119 (E.B.) & 082-0120 (W.B.)**

SHEET NO. S-22 OF S-51 SHEETS

F.A.P. RTE.	SECTION	COUNTY	TOTAL SHEETS	SHEET NO.
103	27-1-VHB-1	ST. CLAIR	277	199
CONTRACT NO. 76884			ILLINOIS FED. AID PROJECT	