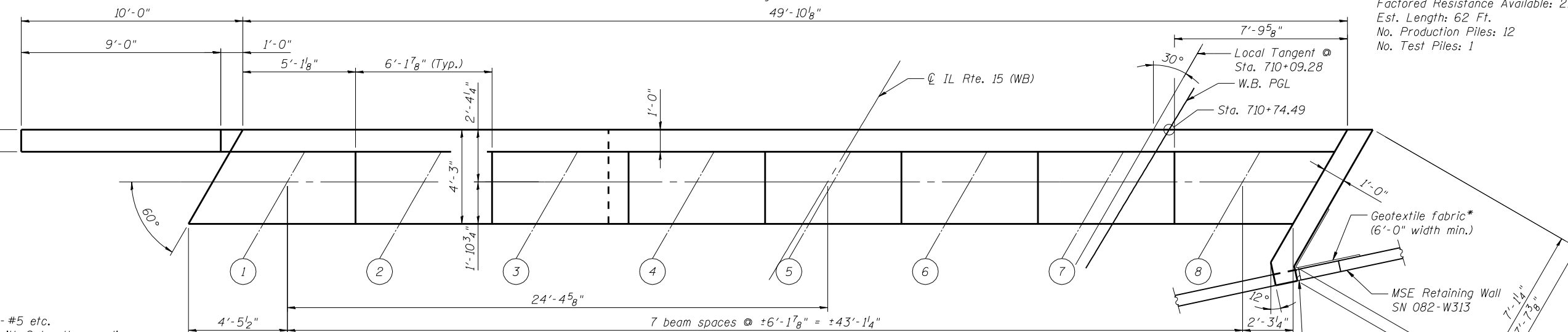
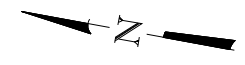


ELEVATION
(Looking East)
49'-10¹/₈"

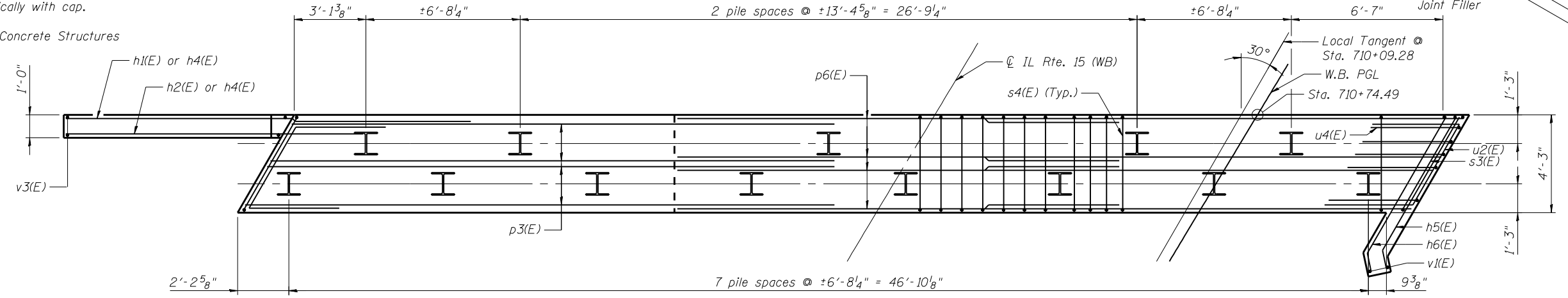
PILE DATA
Type: Steel HP 12 x 53
Nominal Required Bearing: 400 Kips
Factored Resistance Available: 220 Kips
Est. Length: 62 Ft.
No. Production Piles: 12
No. Test Piles: 1



TOP VIEW

MIN. BAR LAP
#5 bar = 2'-7"
#6 bar = 3'-10"
#7 bar = 5'-10"

NOTES:
Bars indicated thus 4 x 2-#5 etc. indicates 4 lines of bars with 2 lengths per line.
Cast steps monolithically with cap.
*Item incidental to Concrete Structures



PILE PLAN

FILE NAME = 0820119-0120-76884-034-EastAbut.WB.dgn



USER NAME = brozzara	DESIGNED - MJK	REVISED -
PLOT SCALE = 5/8" = 1' / IN.	CHECKED - SAB	REVISED -
PLOT DATE = 10/19/2011	DRAWN - MJK	REVISED -
	CHECKED - SAB	REVISED -

STATE OF ILLINOIS
DEPARTMENT OF TRANSPORTATION

EAST ABUTMENT PLAN AND ELEVATION WESTBOUND
STRUCTURE NO. 082-0119 (E.B.) & 082-0120 (W.B.)

SHEET NO. S-34 OF S-51 SHEETS

F.A.P. RTE.	SECTION	COUNTY	TOTAL SHEETS	SHEET NO.
103	27-1-VHB-1	ST. CLAIR	277	211
CONTRACT NO. 76884				
ILLINOIS FED. AID PROJECT				