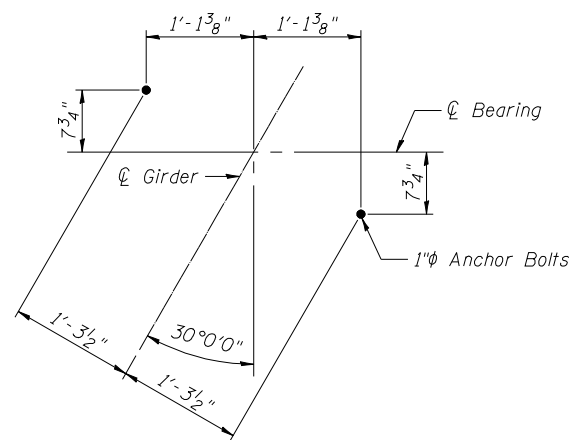
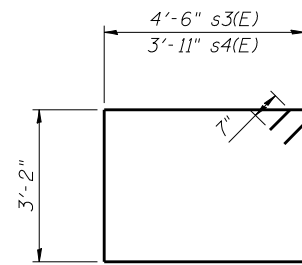


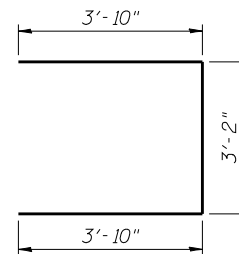
SECTION THRU EAST ABUT.



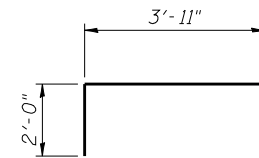
ANCHOR BOLT LAYOUT EAST ABUTMENT



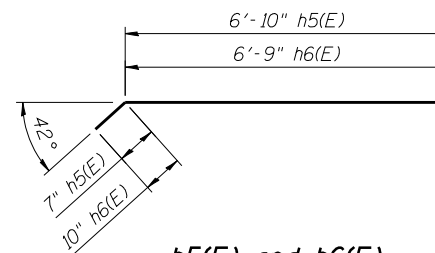
s3(E) and s4(E)



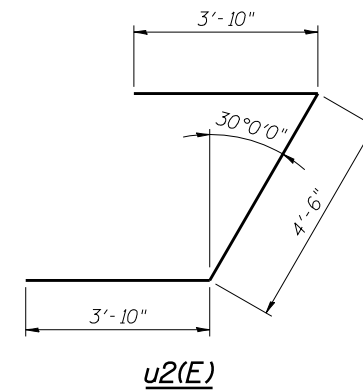
u4(E)



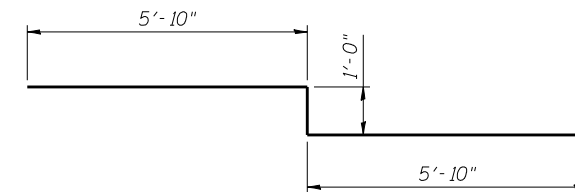
s5(E)



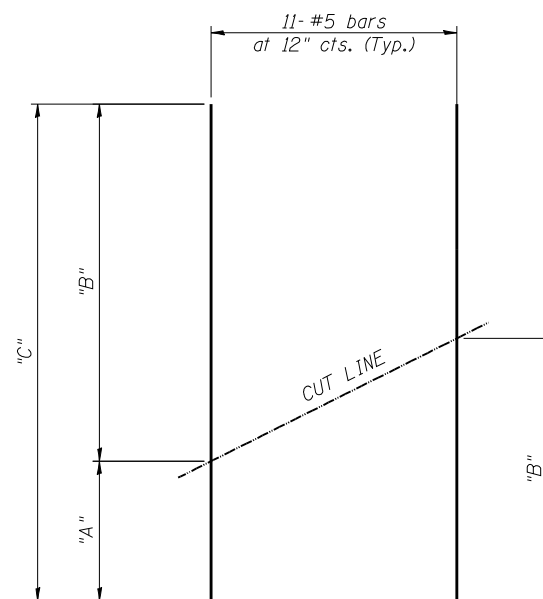
h5(E) and h6(E)



u2(E)



u3(E)



Bar	"A"	"B"	"C"
v2(E)	9'-9"	12'-0"	21'-9"
v3(E)	7'-5"	12'-0"	19'-5"

FIELD CUTTING DIAGRAM

Order v2(E) and v3(E) full length.
Cut as shown and use remainder
of bars in opposite face.

EAST ABUTMENT EASTBOUND
BILL OF MATERIAL

Bar	No.	Size	Length	Shape
h1(E)	7	#8	17'-6"	—
h2(E)	6	#5	13'-1"	—
h4(E)	16	#5	10'-9"	—
h5(E)	12	#5	13'-1"	—
h6(E)	16	#5	7'-1"	—
p(E)	16	#7	19'-6"	—
p1(E)	8	#5	17'-11"	—
p2(E)	4	#5	14'-9"	—
p3(E)	4	#7	25'-9"	—
p4(E)	8	#5	8'-0"	—
p5(E)	4	#5	21'-5"	—
p7(E)	8	#5	18'-6"	—
p14(E)	8	#7	15'-10"	—
s3(E)	2	#5	16'-6"	□
s4(E)	55	#5	15'-4"	□
s5(E)	43	#5	7'-11"	┌
u2(E)	8	#6	12'-2"	┌
u3(E)	4	#7	12'-8"	┌
v1(E)	18	#5	10'-9"	—
v2(E)	11	#5	21'-9"	—
Concrete Structures		Cu. Yd.	40.4	
Reinforcement Bars, Epoxy Coated		Pound	4550	
Furnishing Steel Piles HP12x53		Foot	744	
Driving Piles		Foot	744	
Test Pile Steel HP12x53		Each	1	

EAST ABUTMENT WESTBOUND
BILL OF MATERIAL

Bar	No.	Size	Length	Shape
h1(E)	7	#8	17'-6"	—
h2(E)	6	#5	13'-1"	—
h4(E)	16	#5	10'-9"	—
h5(E)	12	#5	7'-5"	—
h6(E)	12	#5	7'-7"	—
p2(E)	4	#5	14'-9"	—
p3(E)	4	#7	25'-9"	—
p4(E)	8	#5	8'-0"	—
p5(E)	4	#5	21'-5"	—
p6(E)	16	#7	20'-1"	—
p7(E)	8	#5	18'-6"	—
p14(E)	8	#7	15'-10"	—
s3(E)	2	#5	16'-6"	□
s4(E)	55	#5	15'-4"	□
s5(E)	43	#5	7'-11"	┌
u2(E)	8	#6	12'-2"	┌
u3(E)	4	#7	12'-8"	┌
u4(E)	5	#6	10'-10"	┌
v1(E)	18	#5	10'-9"	—
v3(E)	11	#5	19'-5"	—
Concrete Structures		Cu. Yd.	40.0	
Reinforcement Bars, Epoxy Coated		Pound	4300	
Furnishing Steel Piles HP12x53		Foot	744	
Driving Piles		Foot	744	
Test Pile Steel HP12x53		Each	1	

For details of piles see sheet S-40 of S-51.

FILE NAME = 0820119-0120-76884-035-EastAbut-Details.dgn



USER NAME = brazzera	DESIGNED - MJK	REVISED - -
PLOT SCALE = 2x0.0000 '1' / IN.	CHECKED - SAB	REVISED - -
PLOT DATE = 10/19/2011	DRAWN - MJK	REVISED - -
	CHECKED - SAB	REVISED - -

STATE OF ILLINOIS
DEPARTMENT OF TRANSPORTATION

EAST ABUTMENT DETAILS
STRUCTURE NO. 082-0119 (E.B.) & 082-0120 (W.B.)

SHEET NO. S-35 OF S-51 SHEETS

F.A.P. RTE.	SECTION	COUNTY	TOTAL SHEETS	SHEET NO.
103	27-1-VHB-1	ST. CLAIR	277	212
				CONTRACT NO. 76884
ILLINOIS FED. AID PROJECT				