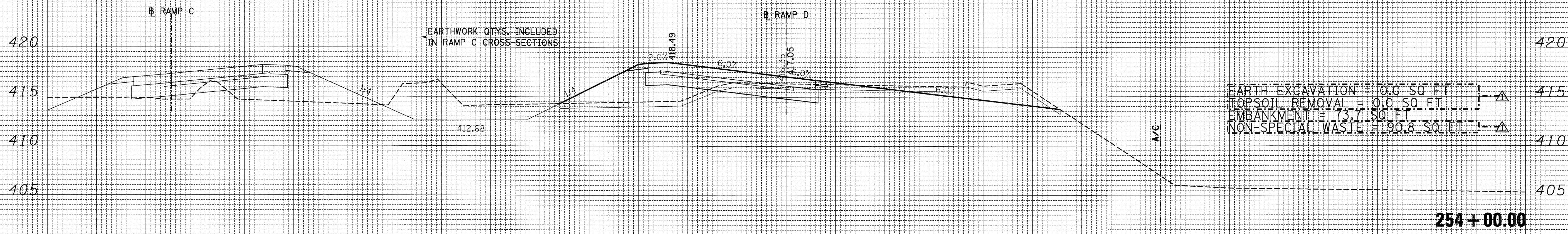
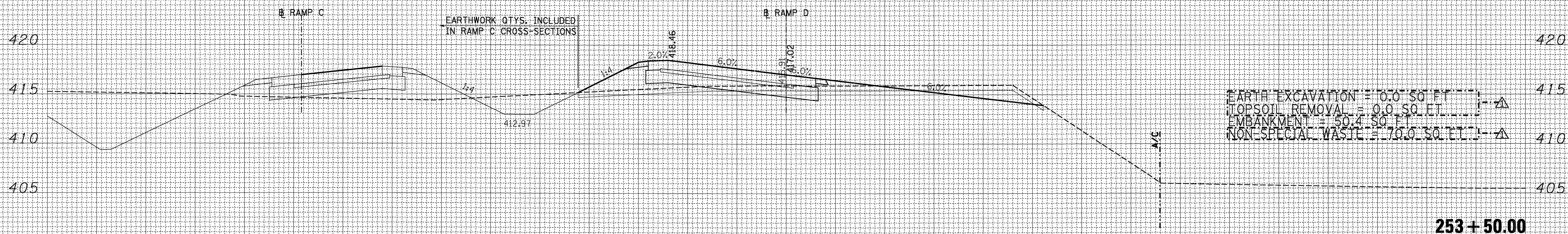


150 140 130 120 110 100 90 80 70 60 50 40 30 20 10 0 10 20 30 40 50 60 70 80 90 100 110 120 130 140 150

FINAL SURVEY	SURVEYED	BY	DATE
PLOTTED	TEMPLATED		
NOTE BOOK	AREAS CHECKED		
NO.			



ORIGINAL SURVEY	SURVEYED	BY	DATE
PLOTTED	TEMPLATED		
NOTE BOOK	AREAS CHECKED		
NO.			



150 140 130 120 110 100 90 80 70 60 50 40 30 20 10 0 10 20 30 40 50 60 70 80 90 100 110 120 130 140 150

FILE NAME =
#FILEL#

USER NAME = #USER*
DESIGNED - JB
DRAWN - AG
CHECKED - ACL
DATE - 10/21/11

REVISED Δ 01/06/2012 JB
REVISED -
REVISED -
REVISED -

**STATE OF ILLINOIS
DEPARTMENT OF TRANSPORTATION**

**CROSS-SECTIONS
RAMP D**

SCALE: SHEET NO. OF SHEETS STA. 253+50.00 TO STA. 254+00.00

R.A. #	SECTION	COUNTY	TOTAL SHEETS	SHEET NO.
998	82-2-1K	ST. CLAIR	353	288
CONTRACT NO. 76E06				

ILLINOIS FED. AID PROJECT