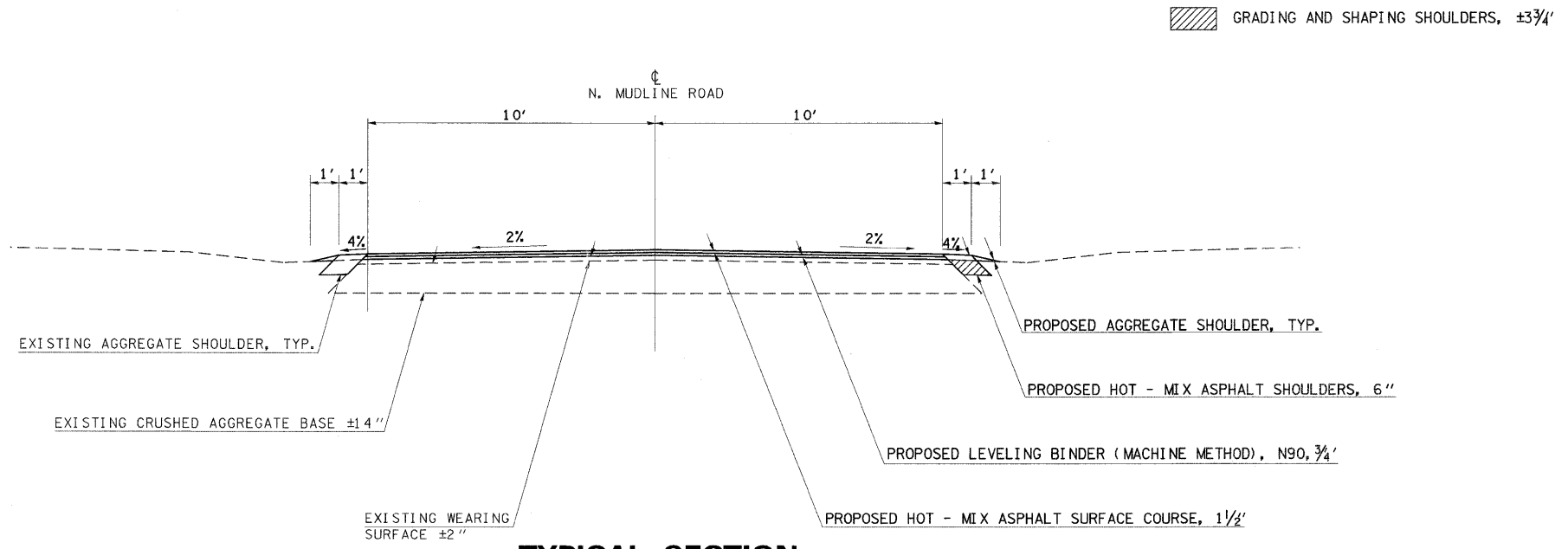


TYPICAL SECTION

TO BE USED:
MUDLINE RD. TRUCK ROUTE PORTION
APPROXIMATE LENGTH = 1.3 MILES



TYPICAL SECTION

TO BE USED:
MUDLINE RD. NON-TRUCK ROUTE PORTION
APPROXIMATE LENGTH = 0.3 MILES

FILE NAME = c:\pwworkspace\portersw\dwg\11728178049.dwg

USER NAME = portersw	DESIGNED -	REVISED -
	DRAWN -	REVISED -
PLOT SCALE = 50.0000' / 1\"/>		

**STATE OF ILLINOIS
DEPARTMENT OF TRANSPORTATION**

TYPICAL SECTIONS DETOUR RD			
SCALE:	SHEET NO. OF	SHEETS	STA. TO STA.

F.A.P. RTE.	SECTION	COUNTY	TOTAL SHEETS	SHEET NO.
686	114B-1	JACKSON	114	8
CONTRACT NO. 78049				
ILLINOIS FED. AID PROJECT				