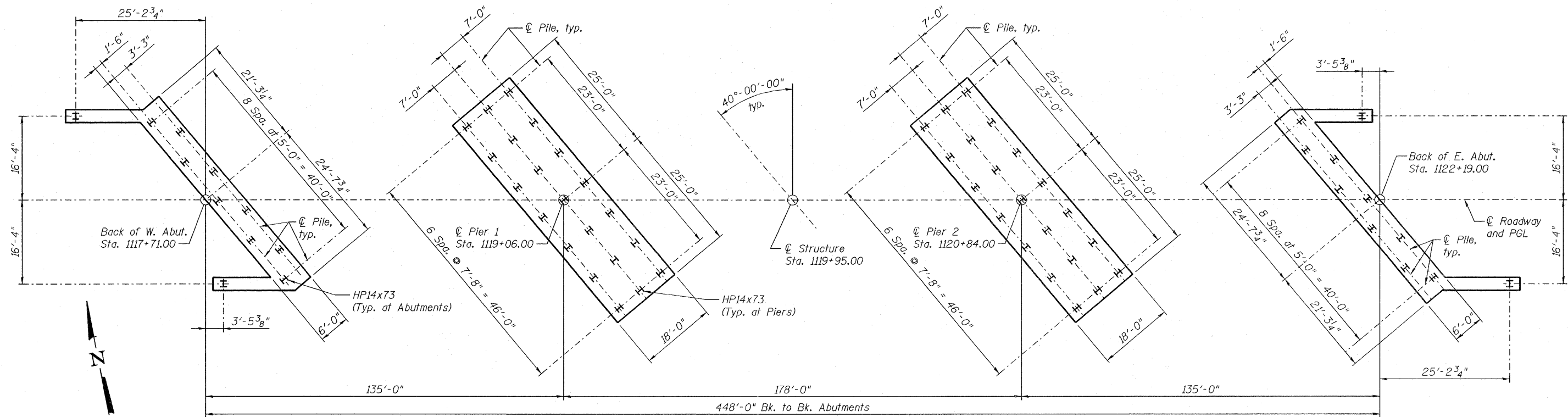
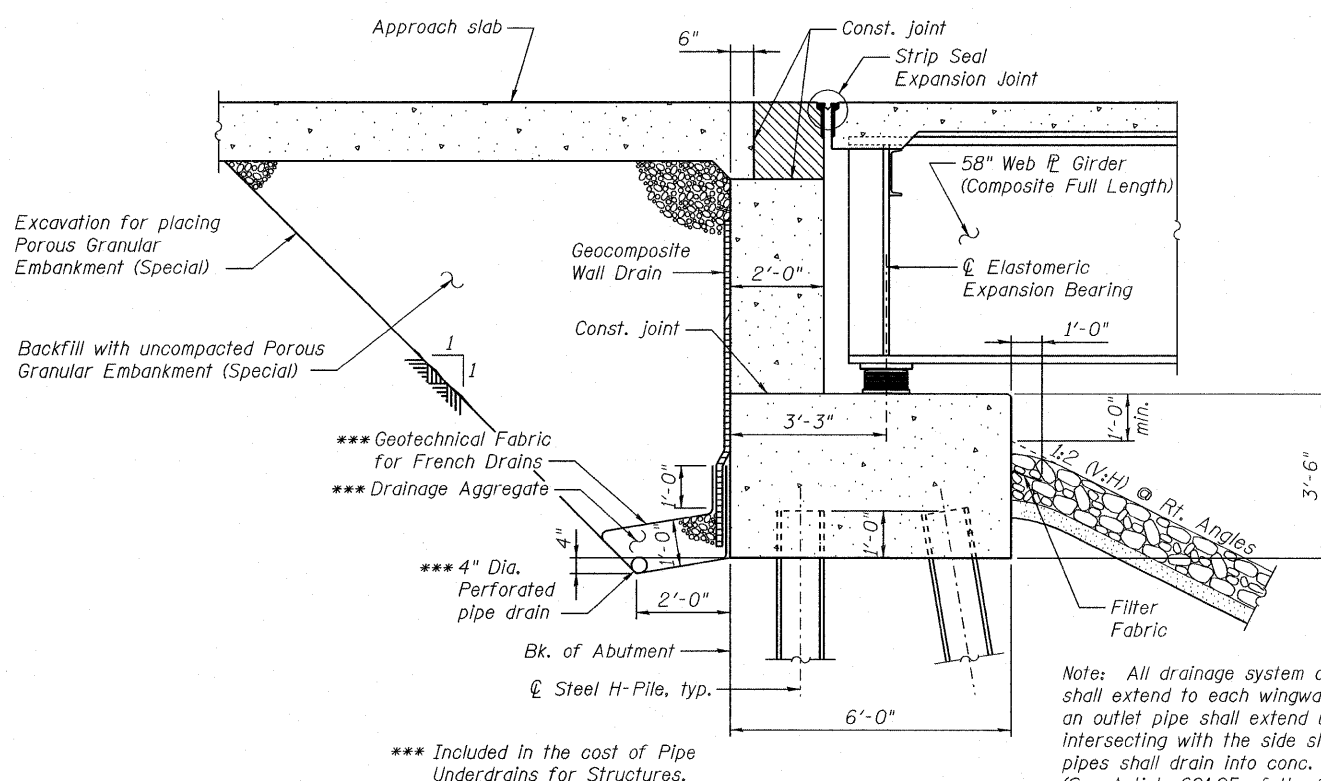


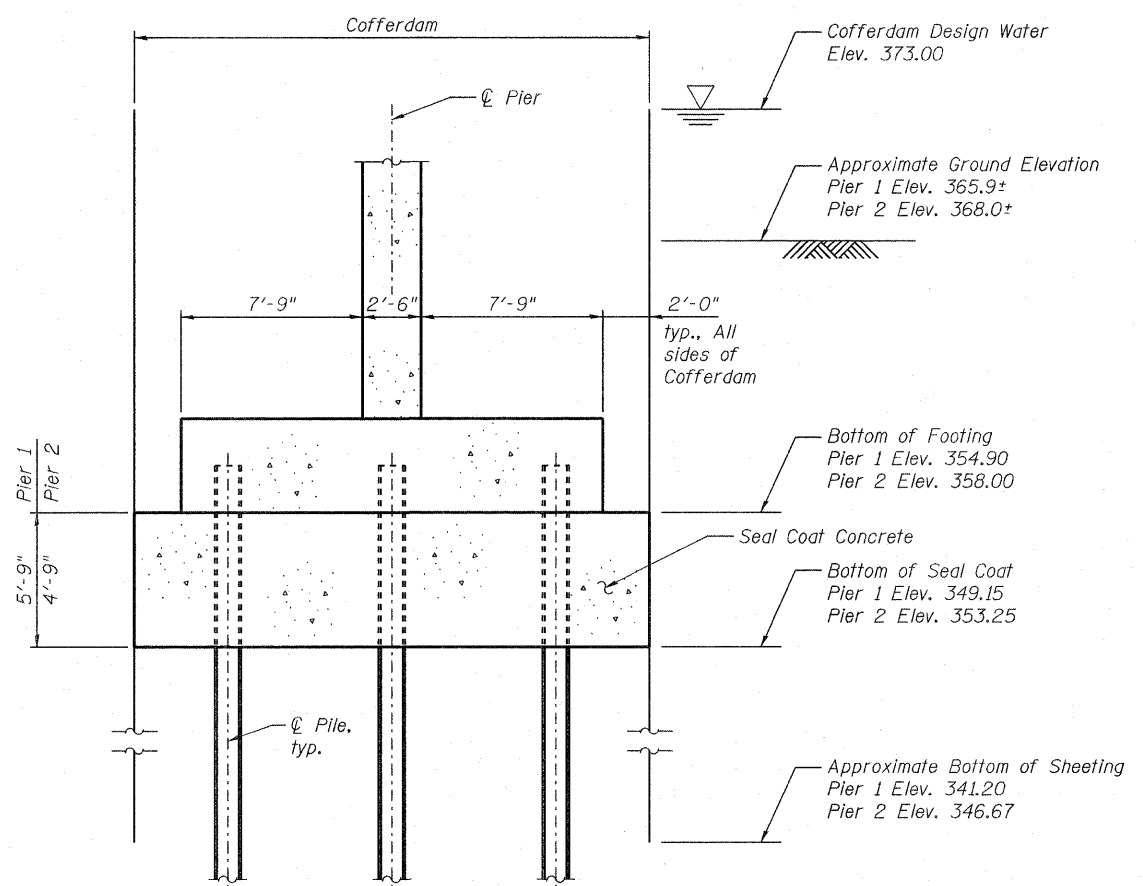
19-OCT-2011 15:46 P:\C\26703\100cadd\7095\039-0074978049-Foundation Plan.dgn



FOUNDATION LAYOUT



SECTION THRU ABUTMENT
(Horiz. dim. @ Rt. L's)



SECTION THRU COFFERDAM

JACOBS	USER NAME =	DESIGNED - B. ERSCHEN	REVISED -	STATE OF ILLINOIS DEPARTMENT OF TRANSPORTATION	FOUNDATION LAYOUT STRUCTURE NO. 039-0074	F.A.P. RTE. 686	SECTION 114B-1	COUNTY JACKSON	TOTAL SHEETS 82	SHEET NO. 114	
	PLOT DATE = 19-OCT-2011	CHECKED - N. KHATRI	REVISED -			SHEET NO. 3 OF 35 SHEETS		CONTRACT NO. 78049		ILLINOIS FED. AID PROJECT	
		DRAWN - C. SALLADE	REVISED -								
		CHECKED - J. SMITH	REVISED -								