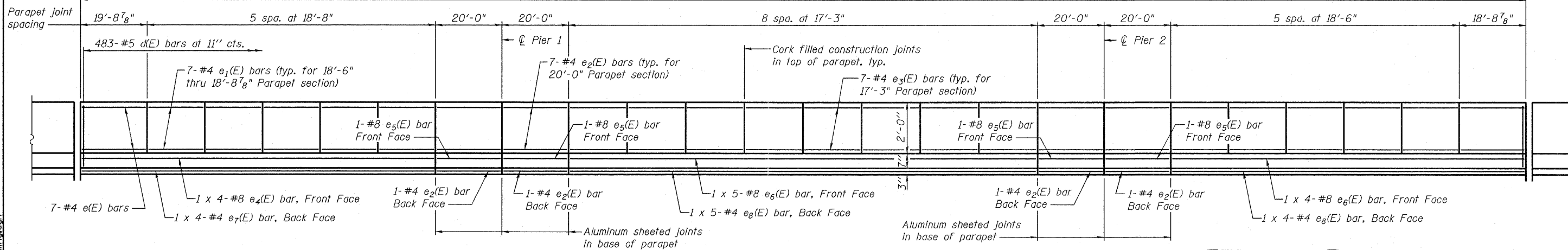


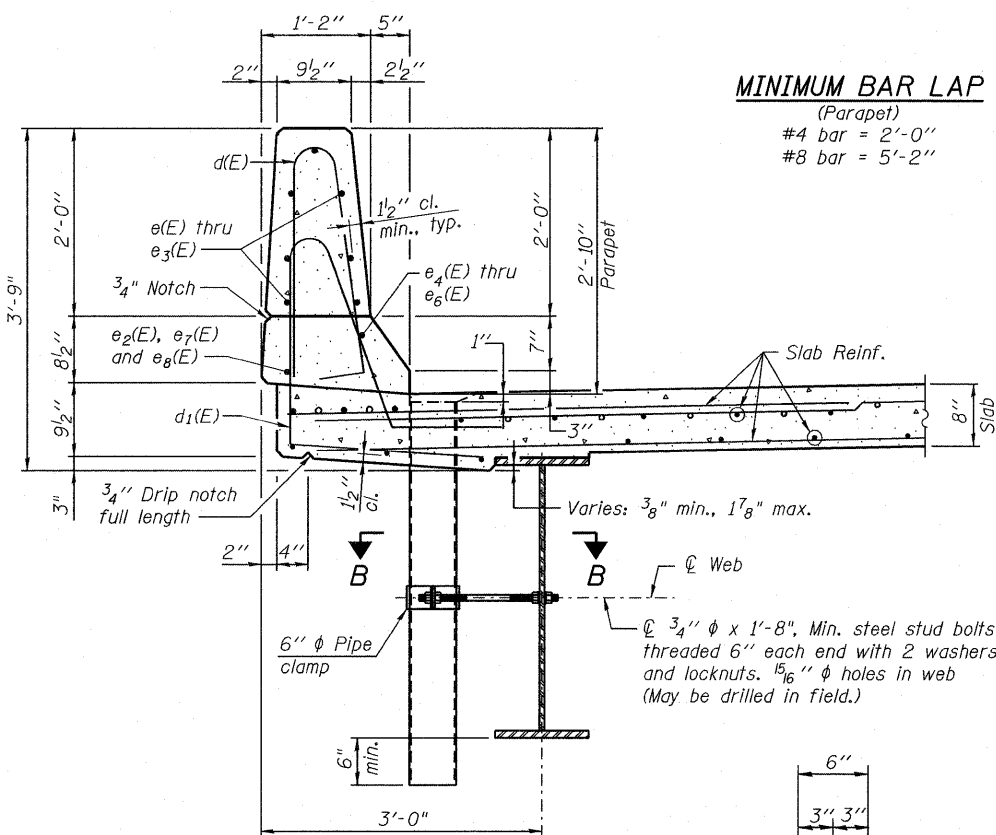
442'-3 3/4" End to end parapet



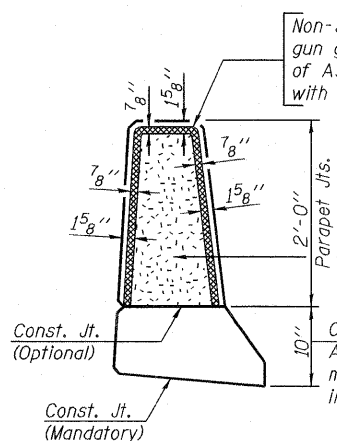
INSIDE ELEVATION OF NORTH AND SOUTH PARAPET

MINIMUM BAR LAP

(Parapet)
 #4 bar = 2'-0"
 #8 bar = 5'-2"



SECTION THRU PARAPET

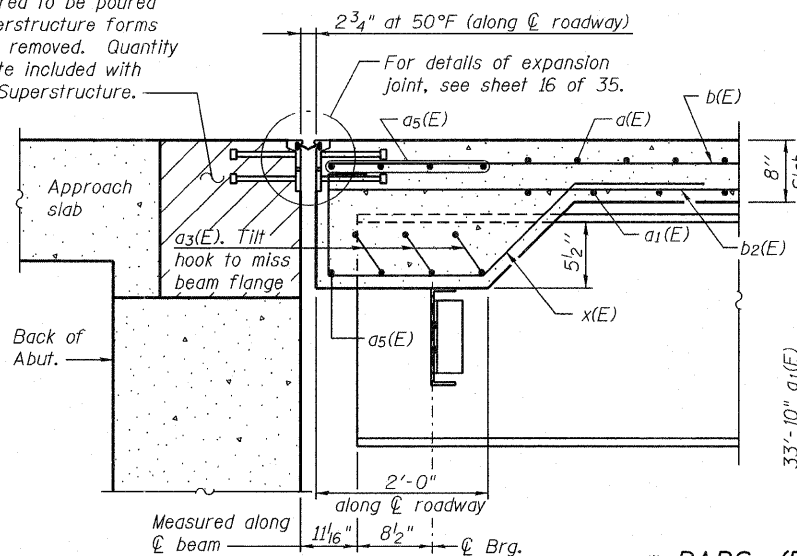


PARAPET JOINT DETAILS

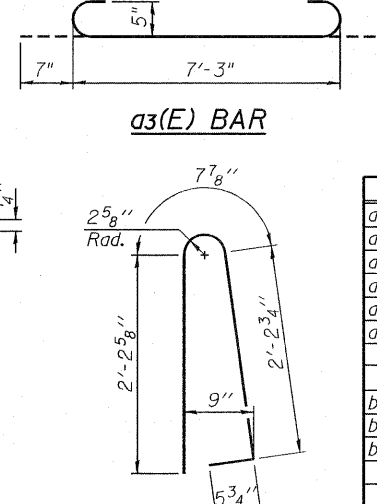
Notes:

Drains shall be located clear of all diaphragms.
 The exterior surfaces of the floor drains shall be painted with the finish coat as specified in the special provisions for Cleaning and Painting New Metal Structures. The exterior surfaces of the drains shall be cleaned according to the Society of Protective Coatings Spec. SSPC-SP1 prior to painting.
 Fiberglass pipe shall conform to ASTM D 2996, with short-time rupture strength hoop tensile stress of 30,000 p.s.i. minimum.
 Galvanize clamping device according to AASHTO M232. Cost of clamping device and inserts is included with Floor Drains.

Hatched area to be poured after superstructure forms have been removed. Quantity of concrete included with Concrete Superstructure.



SECTION A-A



BAR d1(E)

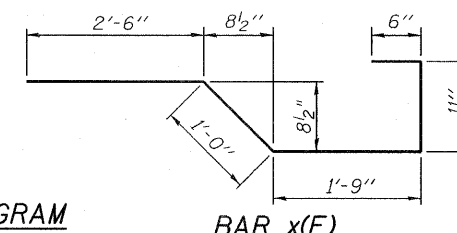
BAR d(E)

SUPERSTRUCTURE BILL OF MATERIAL

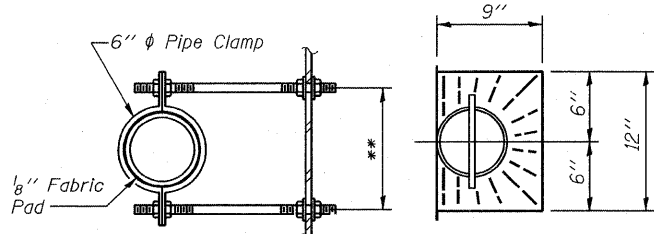
Bar	No.	Size	Length	Shape
d(E) *	757	#5	34'-6"	—
a1(E) *	530	#5	33'-10"	—
a2(E)	1498	#6	6'-6"	—
a3(E)	30	#5	8'-5"	—
a4(E)	16	#5	1'-6"	—
a5(E)	10	#5	45'-0"	—
b(E)	646	#5	28'-6"	—
b1(E)	280	#6	32'-6"	—
b2(E)	527	#5	28'-6"	—
d(E)	966	#5	5'-7"	—
d1(E)	966	#5	7'-9"	—
e(E)	14	#4	19'-6"	—
e1(E)	154	#4	18'-3"	—
e2(E)	64	#4	19'-9"	—
e3(E)	112	#4	17'-0"	—
e4(E)	8	#8	32'-1"	—
e5(E)	8	#8	19'-9"	—
e6(E)	18	#8	31'-9"	—
e7(E)	8	#4	29'-9"	—
e8(E)	18	#4	29'-3"	—
x(E)	50	#5	6'-8"	—
Reinforcement Bars, Epoxy Coated			Pound	130.960
Concrete Superstructure			Cu. Yds.	517.3

Bars indicated thus 1 x 5-#8 etc. Indicates 1 line of bars with 5 lengths per line.

*** BARS d(E) AND a1(E) CUTTING DIAGRAM**

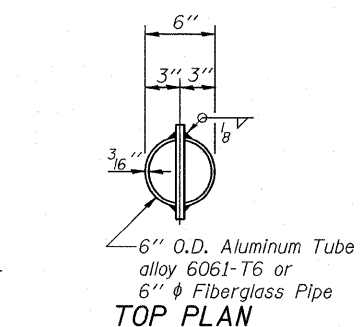


BAR x(E)



SECTION B-B
 ** Dimension as required by Pipe Clamp

TOP PLAN



FIBERGLASS PIPE

ALUMINUM TUBE

FLOOR DRAIN DETAILS
 (52 Req'd.)

JACOBS

USER NAME =	DESIGNED - B. ERSCHEN	REVISED -
PLOT DATE = 19-OCT-2011	CHECKED - M. CRONIN	REVISED -
	DRAWN - E. KRACK	REVISED -
	CHECKED - F. CAMBA	REVISED -

**STATE OF ILLINOIS
 DEPARTMENT OF TRANSPORTATION**

**SUPERSTRUCTURE DETAILS
 STRUCTURE NO. 039-0074**

SHEET NO. 11 OF 35 SHEETS

F.A.P. RTE. 686	SECTION 114B-1	COUNTY JACKSON	TOTAL SHEETS 90	SHEET NO. 114
			CONTRACT NO. 78049	
ILLINOIS FED. AID PROJECT				

19-OCT-2011 P:\C\267031\T00cadd\T09str\039-0074\978049-Parapet Rolling.dgn 15:47