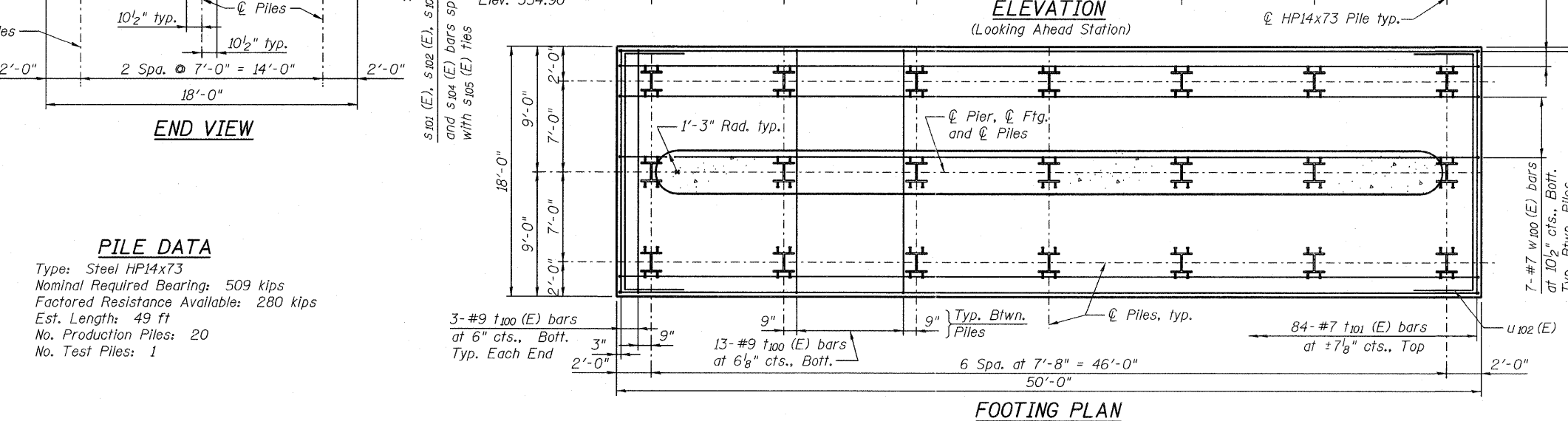
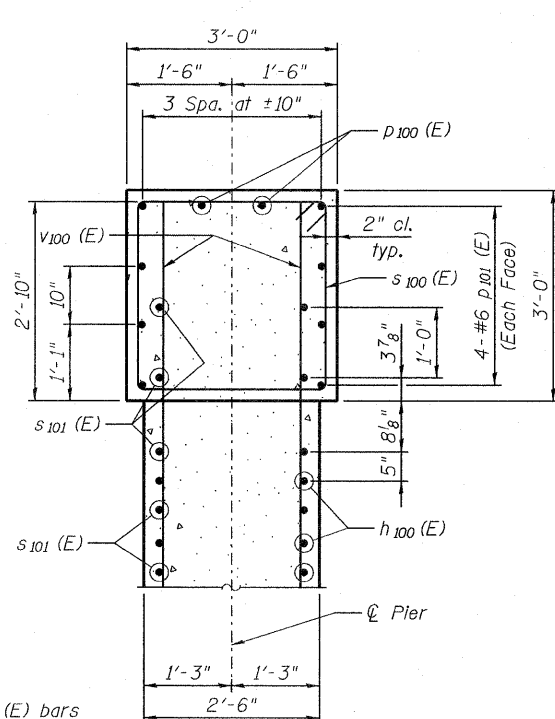
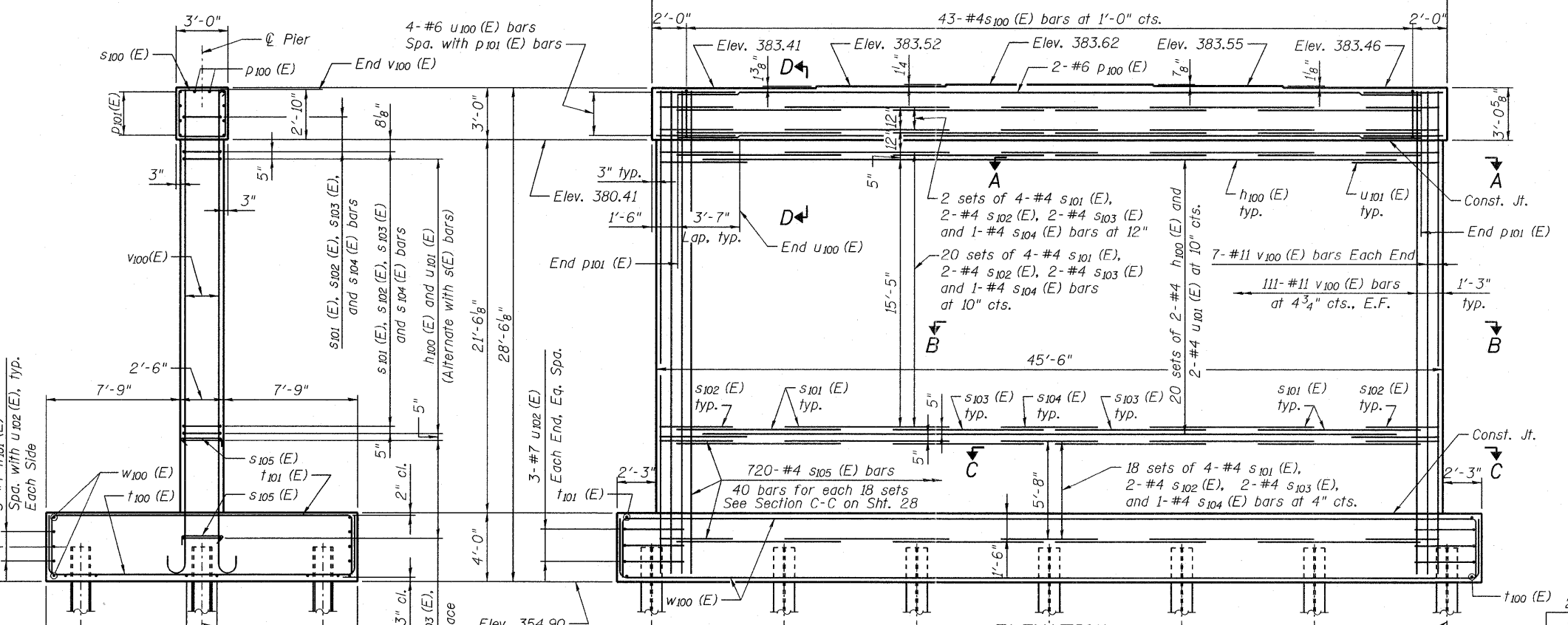
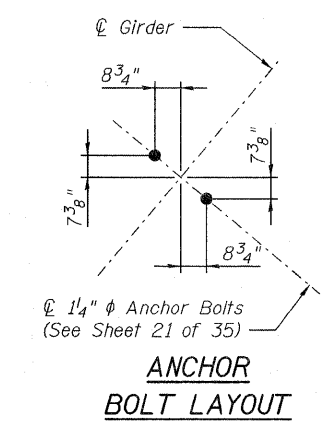
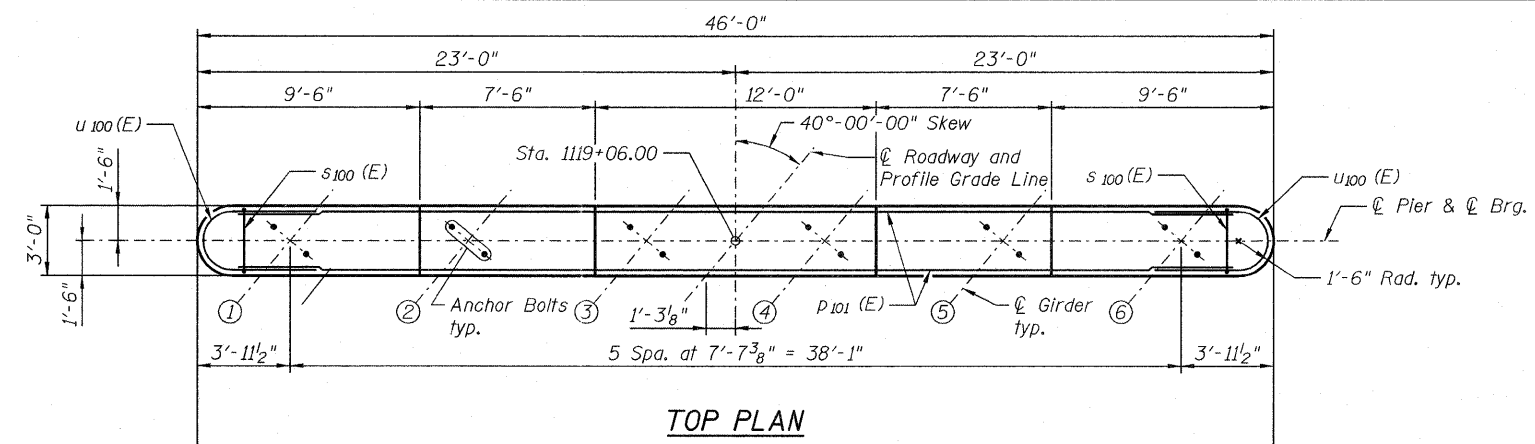
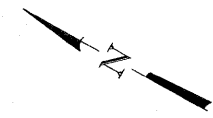


P:\C\26703\700cad\T09str_039-0074978049-Pier1.dgn
19-OCT-2011 15:47



PILE DATA
 Type: Steel HP14x73
 Nominal Required Bearing: 509 kips
 Factored Resistance Available: 280 kips
 Est. Length: 49 ft
 No. Production Piles: 20
 No. Test Piles: 1

NOTES
 All edges shall have 3/4" chamfer.
 Pour steps monolithically with cap.
 Place reinforcement in cap to miss anchor bolts.
 For details of bearings, see Sheet 21 of 35.
 For details of piles, see Sheet 30 of 35.

JACOBS	USER NAME =	DESIGNED - B. ERSCHEN	REVISED -	STATE OF ILLINOIS DEPARTMENT OF TRANSPORTATION	PIER 1 PLAN AND ELEVATION STRUCTURE NO. 039-0074	F.A.P. RTE. =	SECTION	COUNTY	TOTAL SHEETS	SHEET NO.
	19-OCT-2011	CHECKED - N. KHATRI	REVISED -			686	114B-1	JACKSON	105	114
FILE NAME=039-0074978049-Pier1.dgn	PLLOT DATE =	DRAWN - C. SALLADE	REVISED -	SHEET NO. 26 OF 35 SHEETS		CONTRACT NO. 78049		ILLINOIS FED. AID PROJECT		