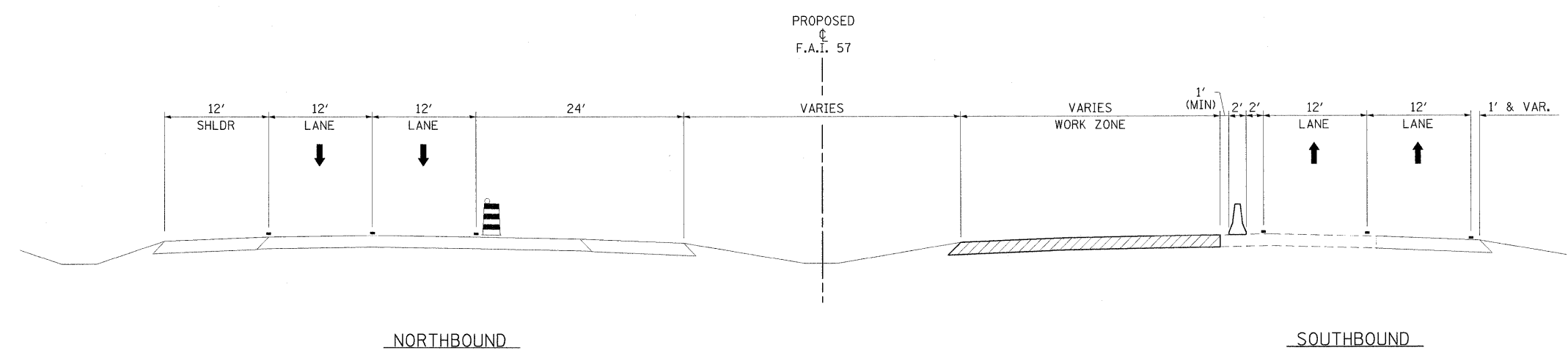


F.A.I. 57 - STAGE 2 TYPICAL #1
 STA. 403+50.00 TO STA. 1475+54.49



F.A.I. 57 - STAGE 2 TYPICAL #2
 STA. 1475+54.49 TO STA. 1482+50.00

- LEGEND**
- TEMPORARY BARRIER WALL
 - DIRECTION OF TRAFFIC
 - WORK ZONE
 - TEMPORARY PAVEMENT (CONSTRUCTED IN THIS STAGE)
 - DRUM WITH STEADY BURNING LIGHT
 - TYPE II BARRICADE WITH STEADY BURNING LIGHT
 - VERTICAL PANEL, POST MOUNTED

FILE NAME = ...ND978182-sht-staging2-157-tp001.dgn	USER NAME = Bred Downen	DESIGNED - RMM/EMM	REVISED -	STATE OF ILLINOIS DEPARTMENT OF TRANSPORTATION	MAINTENANCE OF TRAFFIC TYPICAL SECTIONS - F.A.I. 57 STAGE 2			F.A. RTE.	SECTION	COUNTY	TOTAL SHEETS	SHEET NO.
	PLOT SCALE = 8,0000 1 / IN.	DRAWN - RJE	REVISED -					• 0X1-6-2HBK-2, HB-1,2; 0X-1R-1	WILLIAMSON	968	230	
	PLOT DATE = 10/12/2011	CHECKED - BJD	REVISED -					• F.A.I. 57 AND F.A.P. 331	CONTRACT NO. 78182	[ILLINOIS] FED. AID PROJECT		
	DATE - 10/07/11	REVISED -		SCALE: NONE	SHEET NO.	OF SHEETS	STA.	TO STA.				