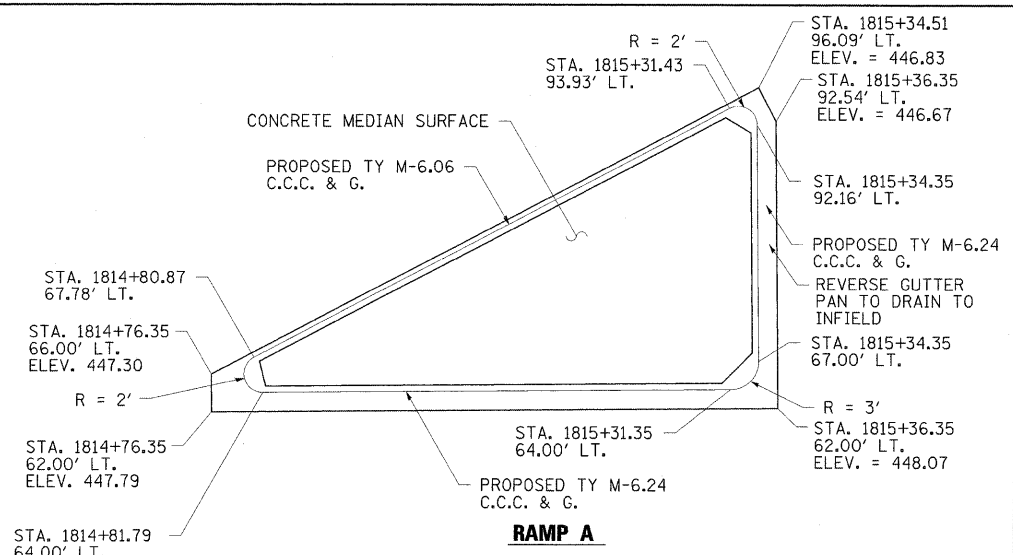
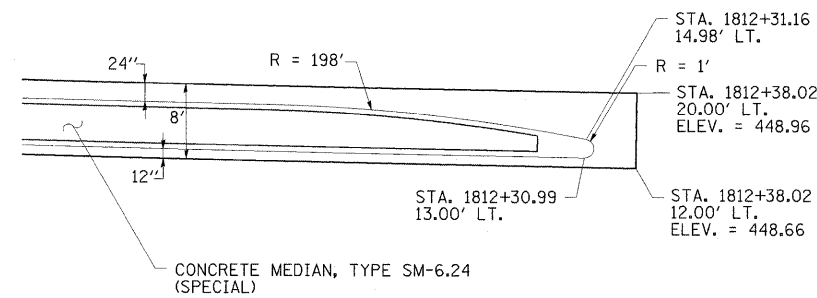


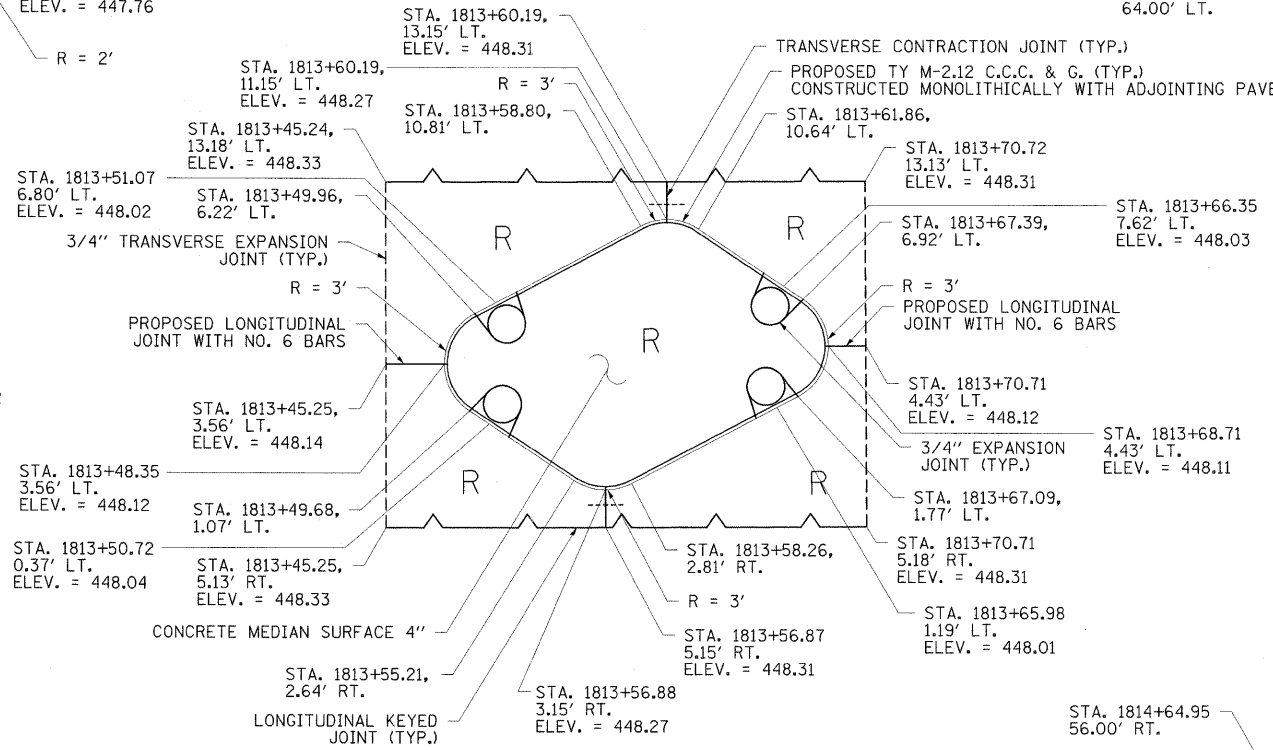
**RAMP D**



**RAMP A**



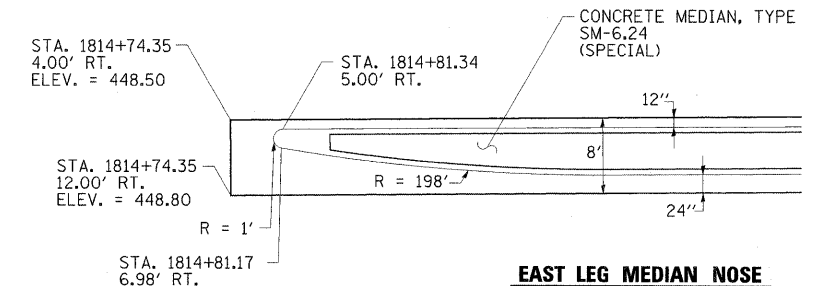
**WEST LEG MEDIAN NOSE**



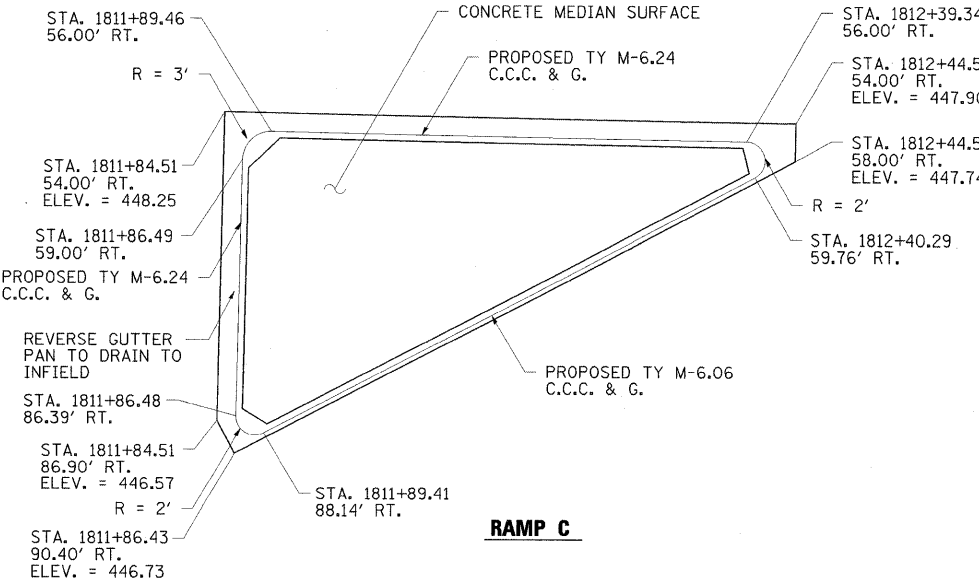
**CENTER ISLAND**

- NOTES:  
 1. R = PAVEMENT FABRIC (STD. 420701)  
 2. TRANSITION CURB FROM 2" HEIGHT TO 4" HEIGHT OVER 12" AT TYPE 15 FRAME AND LID (TYP.)

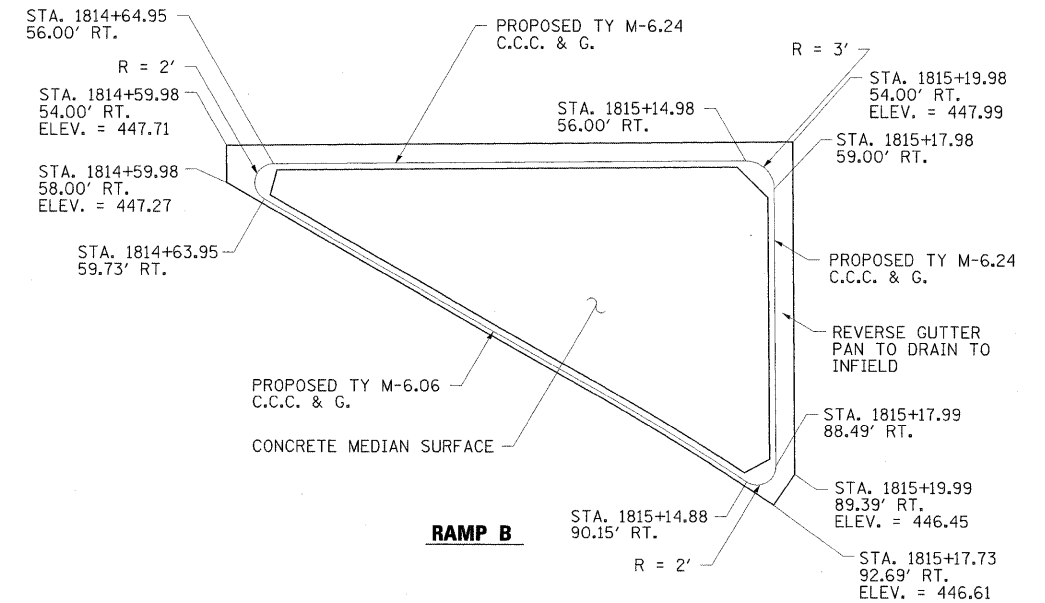
NOTE: ALL ISLANDS AND MEDIANS SHALL CONFORM WITH STANDARD 606301-04



**EAST LEG MEDIAN NOSE**



**RAMP C**



**RAMP B**

FILE NAME =	USER NAME = Rob Heady	DESIGNED - JWH	REVISED -
...AD978182-sht-intersec113_Island-Median	Det.dgn	DRAWN - JWH	REVISED -
	PLOT SCALE = 10.0000' / 1" IN.	CHECKED - BJD	REVISED -
	PLOT DATE = 10/7/2011	DATE - 10/07/11	REVISED -

**STATE OF ILLINOIS  
DEPARTMENT OF TRANSPORTATION**

**INTERSECTION DETAIL  
IL 13 ISLAND, MEDIAN AND NOSE GEOMETRICS**

SCALE: NTS SHEET NO. OF SHEETS STA. TO STA.

F.A. RTE.	SECTION	COUNTY	TOTAL SHEETS	SHEET NO.
* (X1-6-2)HBK-2, HB-1,2; (X-1)R-1		WILLIAMSON	968	382
* F.A.I. 57 AND F.A.P. 331				CONTRACT NO. 78182
ILLINOIS FED. AID PROJECT				