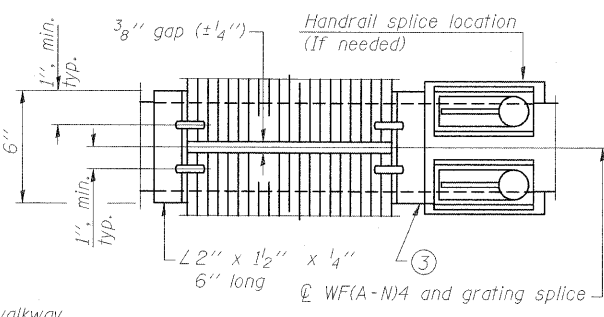
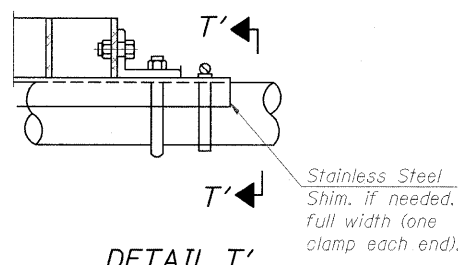
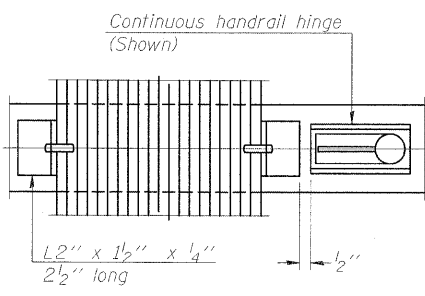


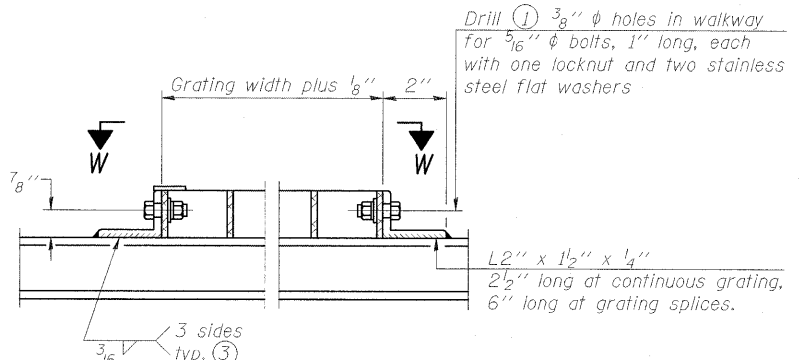
SECTION B-B



(AT WALKWAY GRATING SPLICE)



(CONTINUOUS WALKWAY GRATING)



SPECIFICATIONS FOR STANDARD ALUMINUM GRATING

Main Bearing Bars shall be 3/16" x 1/2" on 1 3/16" centers and conform to ASTM B221 Alloy 6061-T6.
 Cross bars shall be 3/16" x 1/2" on 4" centers and conform to ASTM B221 Alloy 6063-T5 or 6061-T6.

OR

Aluminum Grating with modified "I" sections for main bearing bars shall meet the following requirements:
 Main bars shall conform to ASTM B221 Alloy 6061-T6 and have a minimum section modulus equal to 0.0705 in.³ per bar, a depth of 1 1/2", spaced on 1 3/16" centers.
 Cross bars shall conform to ASTM B221 Alloy 6063-T5 or T-42 and spaced on 4" centers.

Structure Number	Station	A	Ⓟ B	C	Ⓟ D
9S1001057L054.9	375+15 (I-57)	5 1/2"	6'-6"	4'-6"	11'-6"
9S1001057R053.2	1510+00 (I-57)	5 1/2"	6'-9"	4'-6"	11'-9"
9S1001057R052.2	1561+41 (I-57) N=384563.1, E=803503.9	5 1/2"	6'-6"	4'-6"	11'-6"
9S100L013R000.0	1799+76 (IL 13)	5 1/2"	4'-0"	4'-6"	8'-6"
9S100L013R000.1	1810+29 (IL 13)	9 1/2"	2'-6"	7'-0"	9'-6"
9S100L013R000.2	1817+04 (IL 13)	9 1/2"	2'-6"	7'-0"	9'-6"
9S100L013L000.3	833+55 (IL 13)	5 1/2"	3'-3"	4'-6"	8'-3"
9S1001057R000.4	15+13 (RAMP B)	7"	3'-10 1/2"	5'-3"	9'-7 1/2"
9S1001057L000.5	119+25 (RAMP D)	7"	3'-10 1/2"	5'-3"	9'-7 1/2"

- Drilling holes in grating may be done in shop or field, based on Contractor's preference and subject to accurate alignment.
- Stainless steel shims shall be placed as shown in Detail T if needed to compensate for alignment variations between horizontal and diagonal pipes beyond adjustment provided by angles. Thicker shims may be used subject to shims performing properly.
- If Handrail Joint present, weld angle to WF(A-N)4 and 1/4" extension bars. (See Base Sheet OS-A-II.)
- 1/8" x 1/2" x 2" welded to handrail posts to protect locations that contact grating.
- Tube to grating gap may vary from 0 to 1/2", max. to align walkway, allow for camber, etc.
- Based on actual height of tallest sign given on OS-A-I.

OS-A-10

1-20-11

FILE NAME = ...10978182-sht-sign@88-Truss-OS-A-10.dgn	USER NAME = Rob Heady	DESIGNED - JH	REVISED -
PLOT SCALE = 50.0000' / IN.	CHECKED - SD	DRAWN - JH	REVISED -
PLOT DATE = 10/7/2011	DATE - 10/07/11	REVISIONS -	REVISED -

STATE OF ILLINOIS
DEPARTMENT OF TRANSPORTATION

OVERHEAD SIGN STRUCTURES
ALUMINUM WALKWAY DETAILS

F.A. RTE.	SECTION	COUNTY	TOTAL SHEETS	SHEET NO.
* IXI-6-2HBK-2, HB-1,2; IX-1R-1		WILLIAMSON	968	501
* F.A.I. 57 AND F.A.P. 331				CONTRACT NO. 78182

ILLINOIS FED. AID PROJECT

EFK·Moen, LLC
Civil Engineering Design