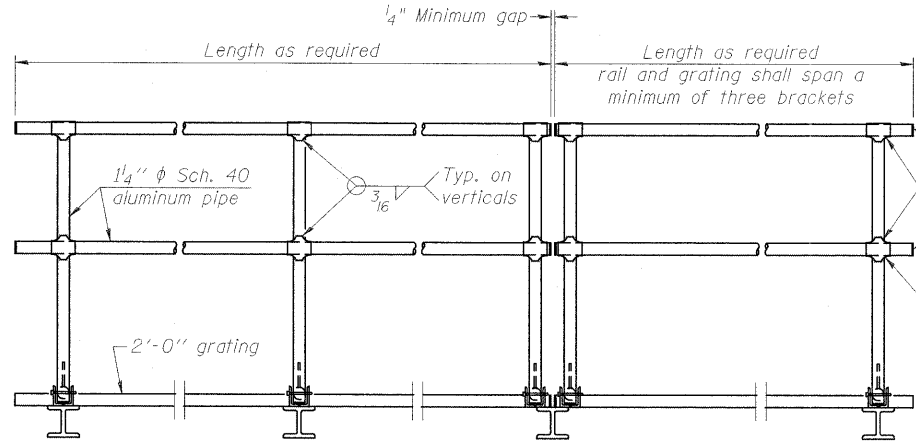


SIDE ELEVATION
(Showing safety chain w/o sign)

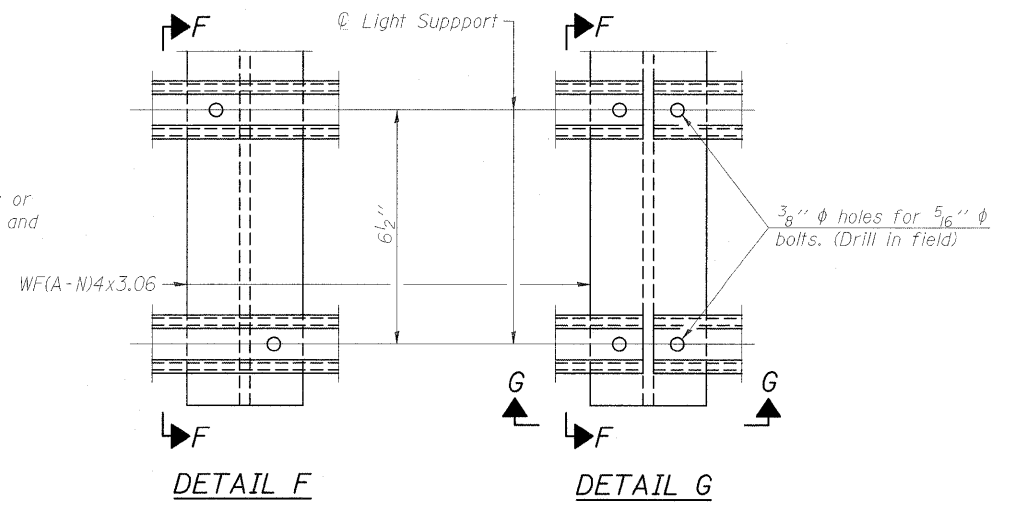


FRONT ELEVATION

HANDRAIL DETAILS

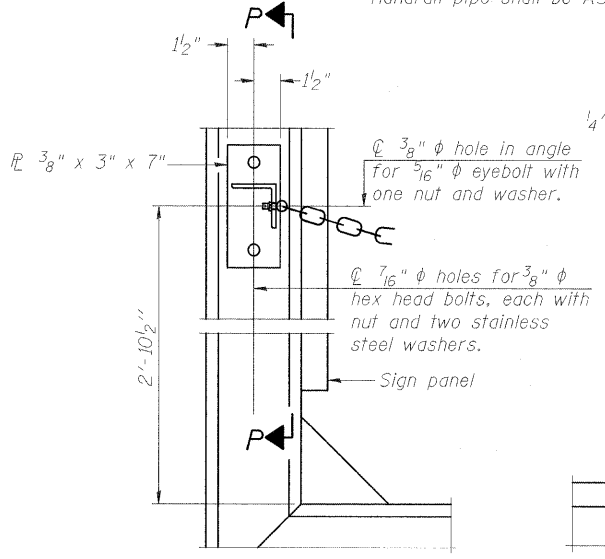
Handrail pipe shall be ASTM B241 or B429, Alloy 6063-T6 or Alloy 6061-T6.

- ① Install standard force-fit end caps or weld 1/8" end plates with 1/8" c.f.w. and grind smooth. (All rail ends)
- ② Horizontal handrail member shall be continuous thru fitting. Provide 7/16" diameter hole in fitting for 3/8" diameter bolt. Field drill 1/16" diameter hole in horizontal rail member. Provide locknut and two stainless steel washers for bolt. (Use 5/16" eyebolts in 1/16" diameter holes on top rail at ends only.)



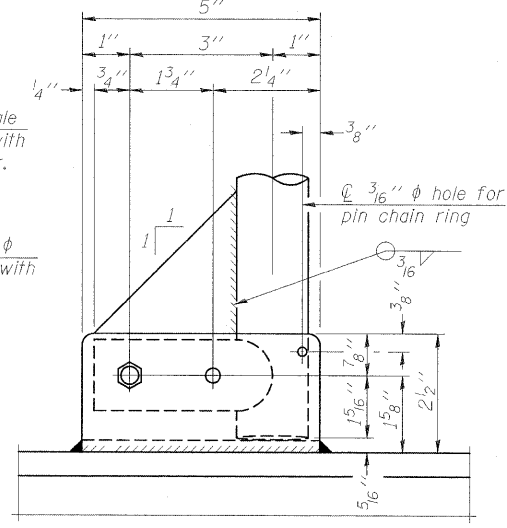
DETAIL F

DETAIL G



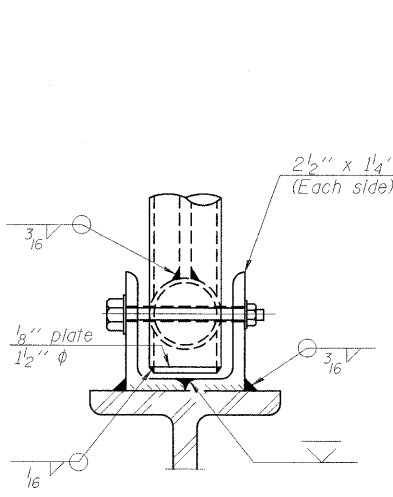
ALTERNATE SAFETY CHAIN ATTACHMENT
(With Sign Present)

Items not shown same as "Side Elevation" of "Handrail Details"



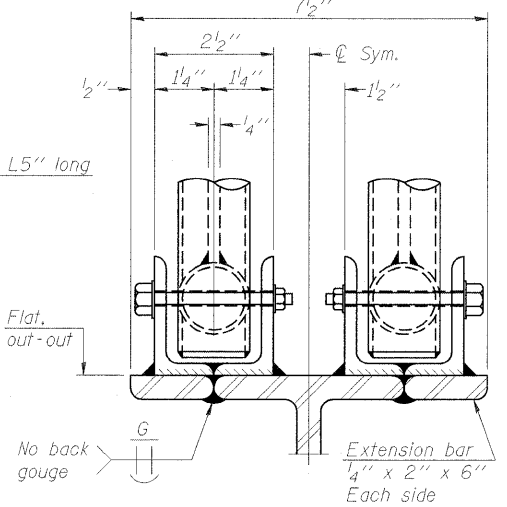
SIDE ELEVATION

**PLAN
DETAIL E HANDRAIL HINGE**

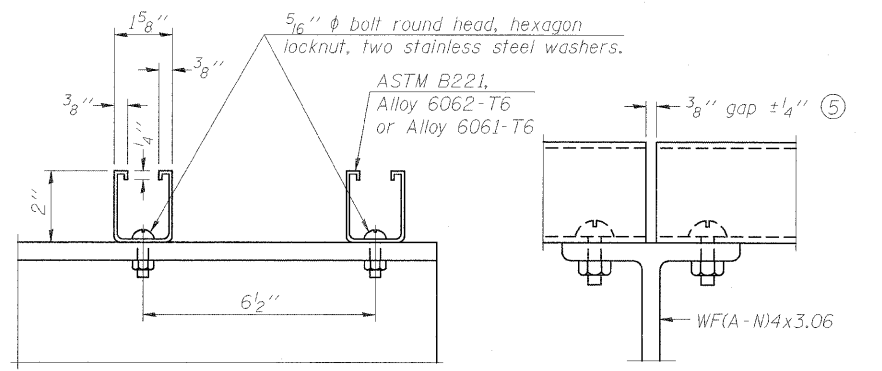


FRONT ELEVATION

See "Elevation" at right for dimensions.



ELEVATION AT HANDRAIL JOINT ④

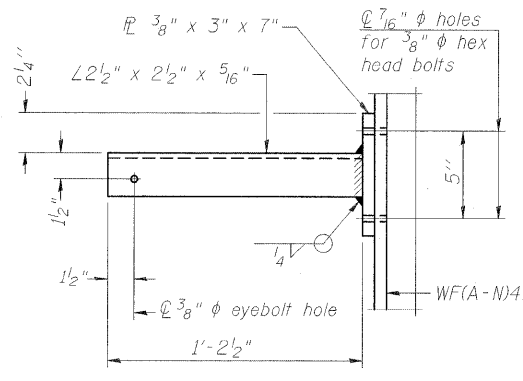


SECTION F-F

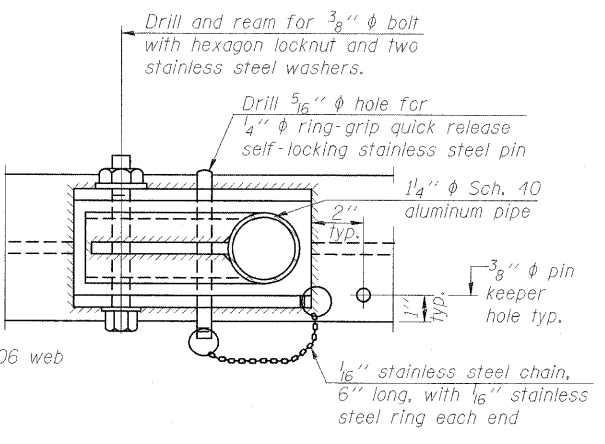
SECTION G-G

LIGHTING FIXTURE MOUNTS (IF REQUIRED)

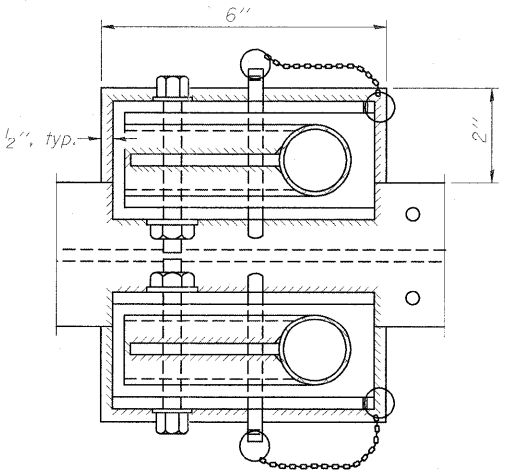
- ⑤ Field cut ends of light support channels shall be free of burrs or hazardous projections and coated with zinc-rich primer or equivalent.



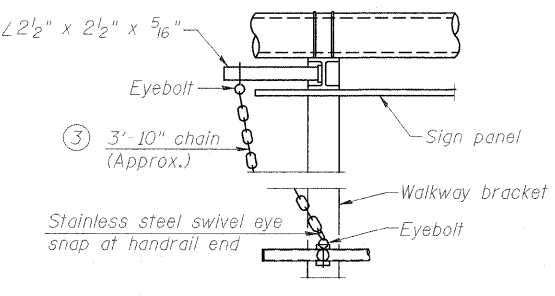
SECTION P-P



**PLAN
DETAIL E HANDRAIL HINGE**

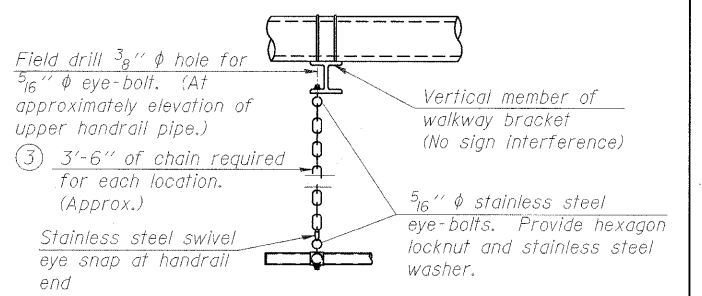


PLAN AT HANDRAIL JOINT
Details not shown same as "PLAN"



ALTERNATE SAFETY CHAIN ATTACHMENT
Details not shown similar to "Safety Chain" Details (Walkway omitted for clarity)

- ③ 3/16" Type 304L stainless steel chain, approximately 12 links per foot.
- ④ Extrusions may be used in lieu of the details shown, with approval of the Engineer.



SAFETY CHAIN

One required for each end of each walkway.

OS-A-11

1-20-11

FILE NAME = ...10978182-sht-sign089-Truss-OS-A-11.dgn	USER NAME = Rob Heady	DESIGNED - JH	REVISIONS -	STATE OF ILLINOIS DEPARTMENT OF TRANSPORTATION	OVERHEAD SIGN STRUCTURES ALUMINUM HANDRAIL DETAILS		F.A. RTE.	SECTION	COUNTY	TOTAL SHEETS	SHEET NO.	
	PLOT SCALE = 50.00000 / IN.	DRAWN - JH	REVISIONS -		SCALE:	SHEET NO. 11 OF 15 SHEETS	STA.	TO STA.	* (X1-6-2)HBK-2, HB-1-2; (X1-1R-1)	WILLIAMSON	968	502
	PLOT DATE = 10/7/2011	CHECKED - SD	REVISIONS -						* F.A.I. 57 AND F.A.P. 331			
		DATE - 10/07/11	REVISIONS -						ILLINOIS FED. AID PROJECT			CONTRACT NO. 78182

EFK•Moen, LLC
Civil Engineering Design