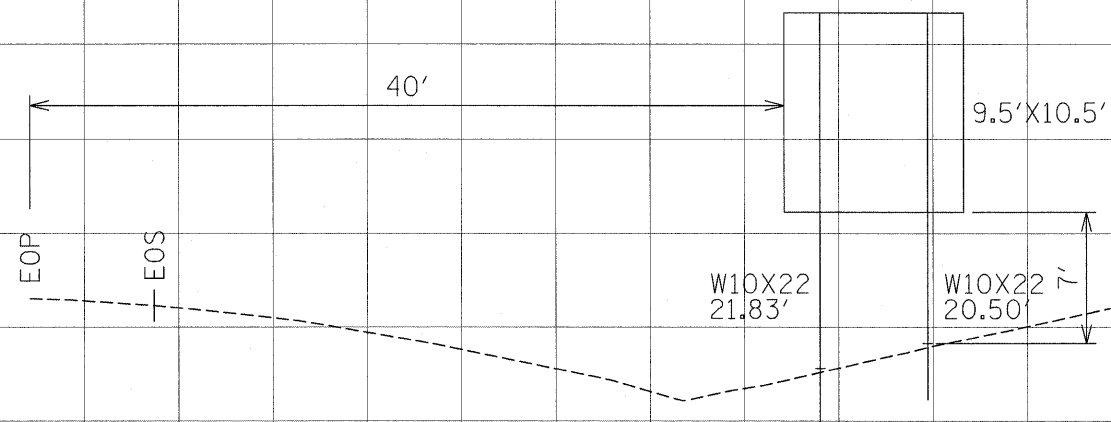
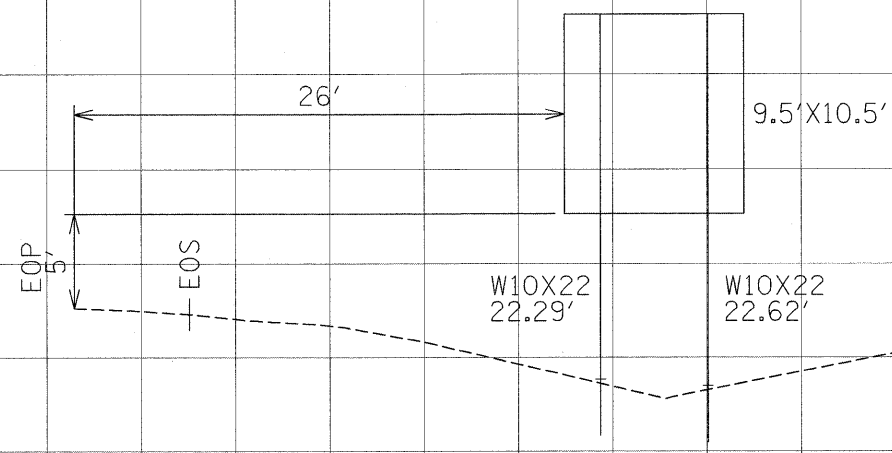


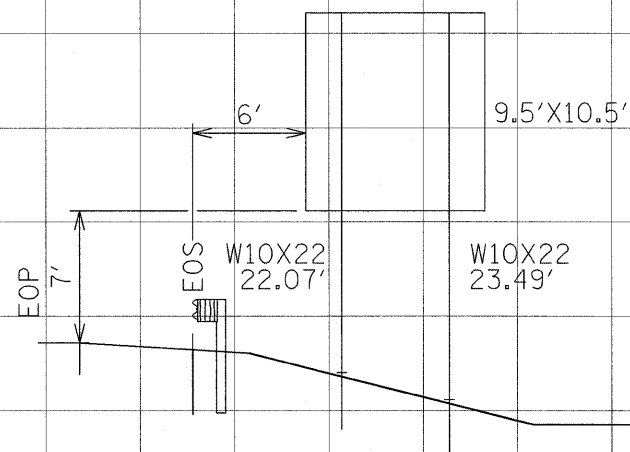
STA. 107+00, RT  
RAMP D



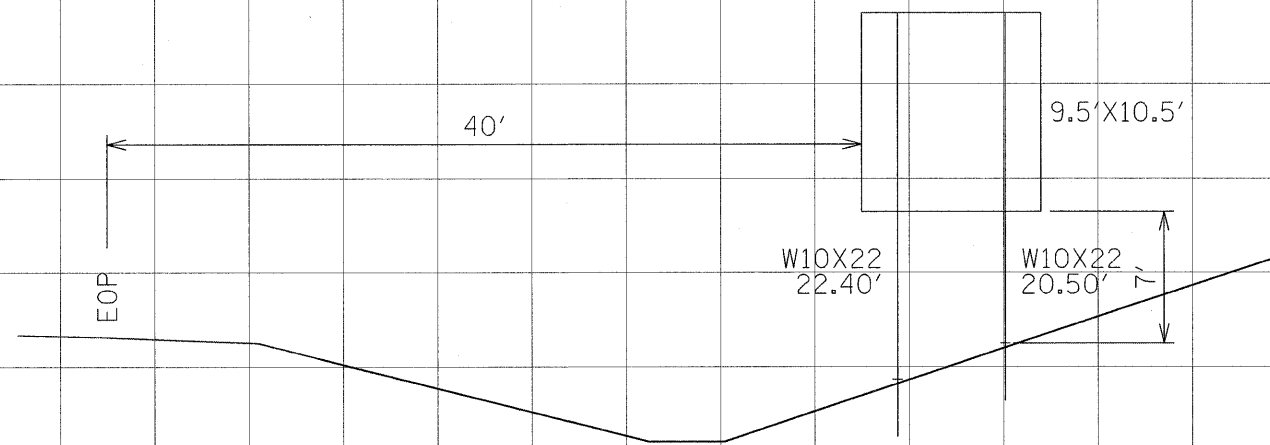
STA. 109+00, RT  
RAMP D



STA. 114+25, RT  
RAMP D



STA. 117+00, RT  
RAMP D



**EFK Moen, LLC**  
Civil Engineering Design

DATE	
BY	
FINAL SURVEY	
NO. _____	
SURVEYED	
PLOTTED	
TEMPLATE	
AREAS CHECKED	

DATE	
BY	
ORIGINAL SURVEY	
NO. _____	
SURVEYED	
PLOTTED	
TEMPLATE	
AREAS CHECKED	