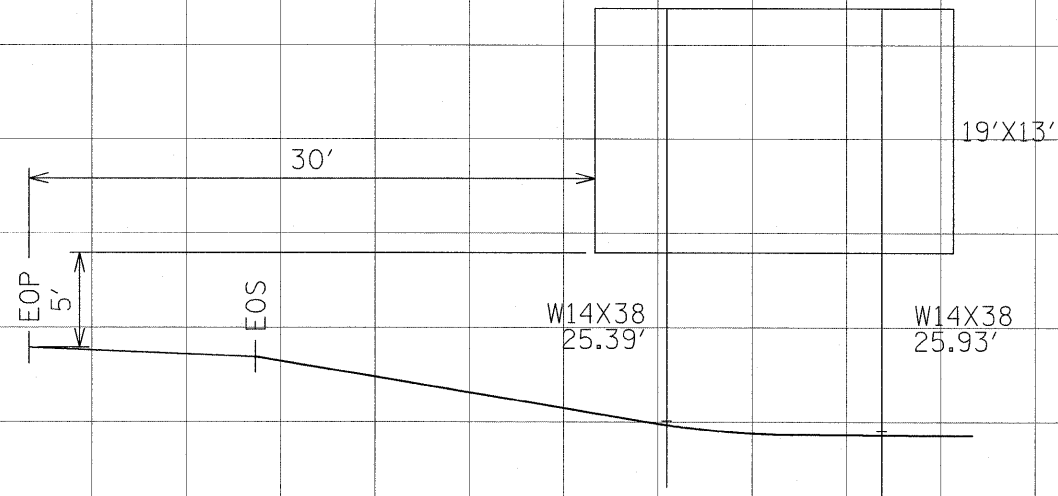
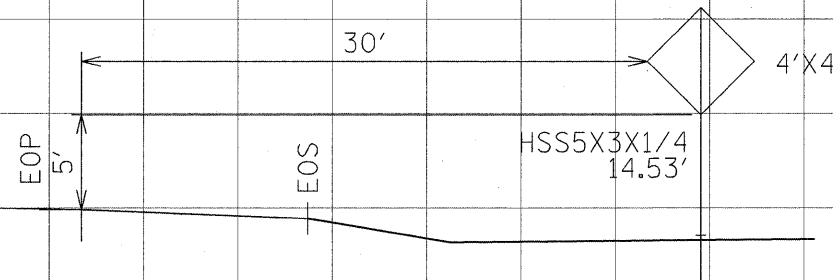


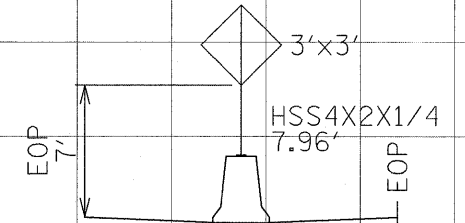
STA. 1481+30, RT  
I-57



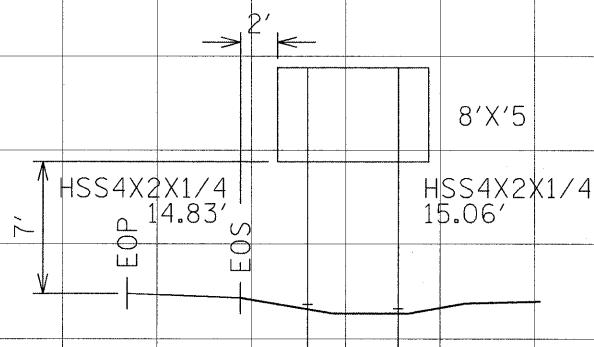
STA. 1484+71, RT  
I-57



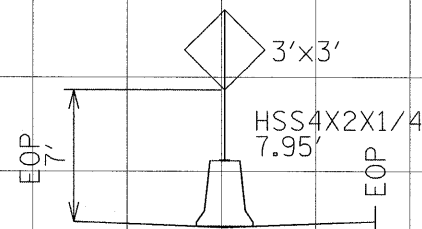
STA. 1485+40, CL  
I-57



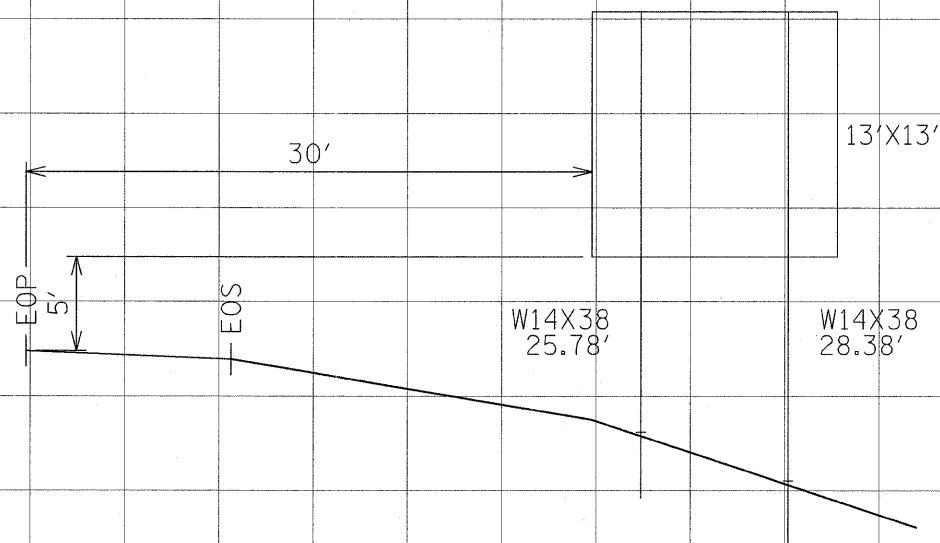
STA. 1486+96, LT.  
I-57



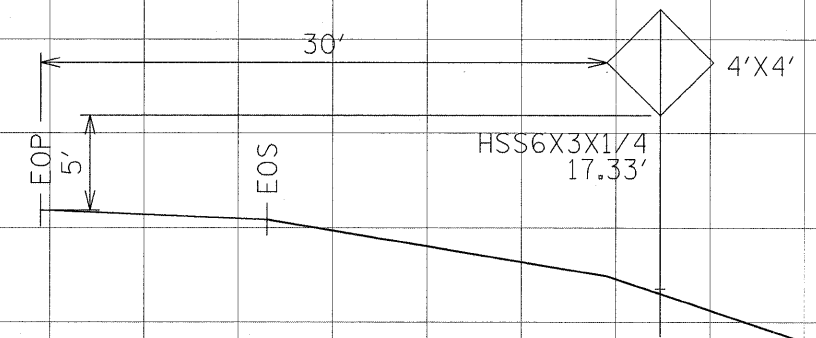
STA. 1497+40, CL  
I-57



STA. 1499+68, RT  
I-57



STA. 1501+90, RT  
I-57



**EFK Moen, LLC**  
Civil Engineering Design

DATE	
BY	
FINAL SURVEY	
SURVEYED	
PLOTTED	
NOTE BOOK	
AREAS CHECKED	
NO.	

DATE	
BY	
ORIGINAL SURVEY	
SURVEYED	
PLOTTED	
NOTE BOOK	
AREAS CHECKED	
NO.	

FILE NAME = ...\\D978182-sht-sign108-122-Ground Mount Xsec.dwg

USER NAME = Brad Downen  
 PLOT SCALE = 5,0000 ' / IN.  
 PLOT DATE = 10/10/2011

DESIGNED - JD  
 DRAWN - MK  
 CHECKED - SD  
 DATE - 10/07/11

REVISED -  
 REVISED -  
 REVISED -  
 REVISED -

STATE OF ILLINOIS  
DEPARTMENT OF TRANSPORTATION

GROUND MOUNT SIGN CROSS SECTIONS

SCALE: 1"V : 1'H SHEET NO. 6 OF 15 SHEETS STA. TO STA.

F.A. RTE.	SECTION	COUNTY	TOTAL SHEETS	SHEET NO.
	(X1-6-2)HBK-2,HB-1,2(H1X-1R-1	WILLIAMSON	968	526
	F.A.I. 57 AND F.A.P. 331		CONTRACT NO. 78182	
ILLINOIS FED. AID PROJECT				