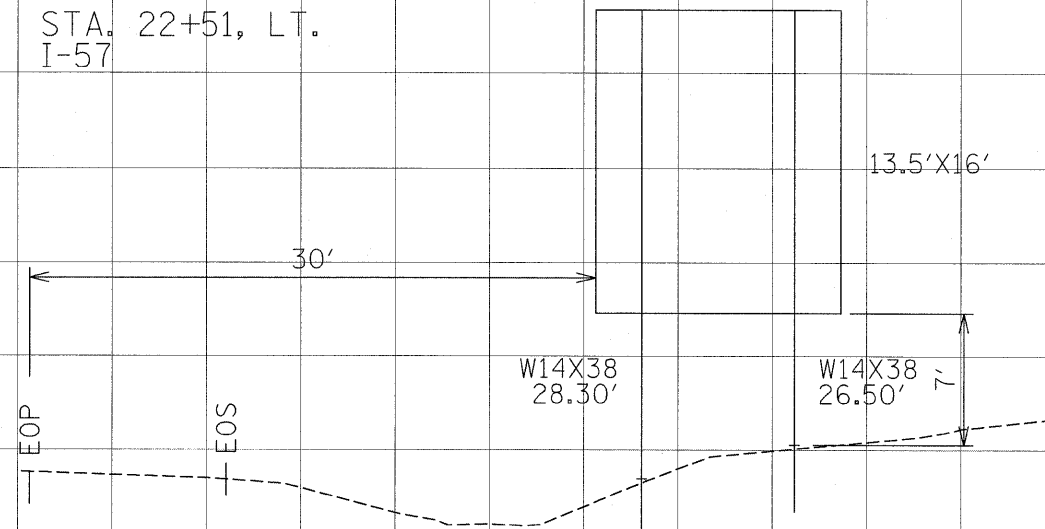
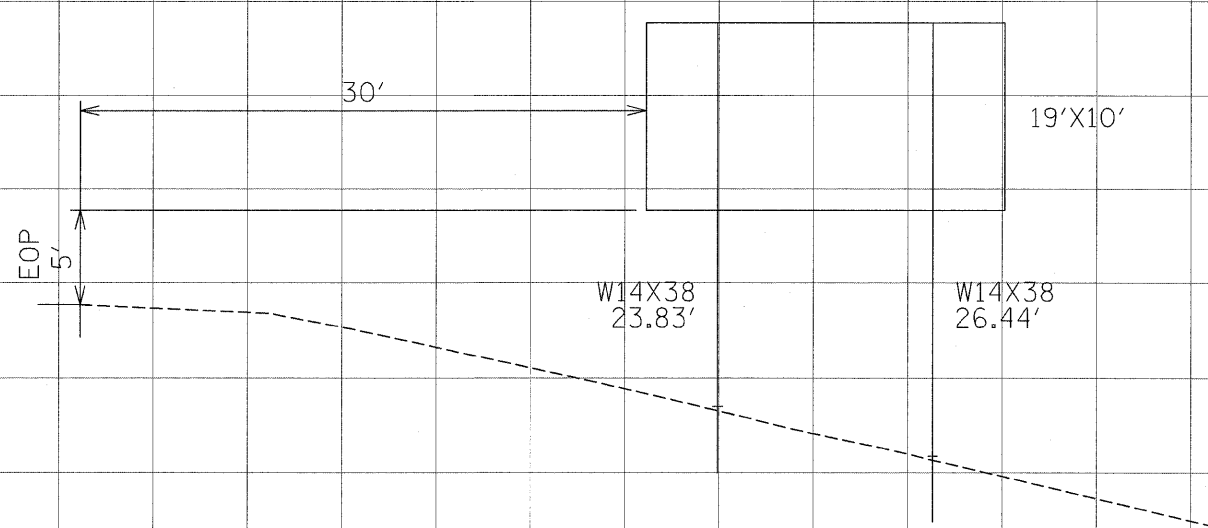


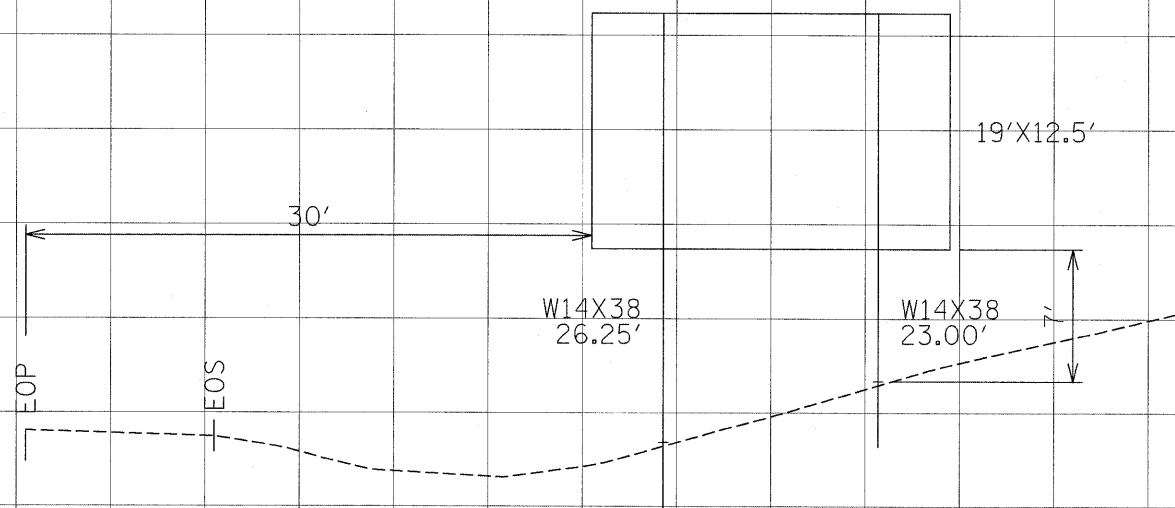
STA. 22+51, LT.
I-57



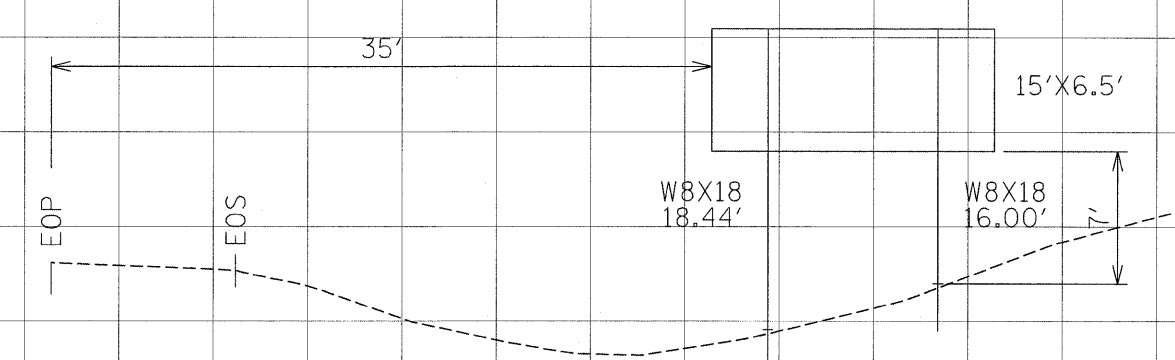
STA. 30+47, LT.
I-57



STA. 38+45, LT.
I-57



STA. 46+40, LT.
I-57



DATE	
BY	
ORIGINAL SURVEY	
SURVEYED	
NOTED	
PLOTTED	
AREA	
CHECKED	
NO.	

DATE	
BY	
ORIGINAL SURVEY	
SURVEYED	
NOTED	
PLOTTED	
AREA	
CHECKED	
NO.	

EFK Moen, LLC
Civil Engineering Design

FILE NAME = ...D978182-sht-sign188-122-Ground Mount Xsec.dgn

USER NAME = Brad Downen
PLOT SCALE = 5.0000 "/ IN.
PLOT DATE = 10/10/2011

DESIGNED - JD
DRAWN - MK
CHECKED - SD
DATE - 10/07/11

REVISED -
REVISED -
REVISED -
REVISED -

STATE OF ILLINOIS
DEPARTMENT OF TRANSPORTATION

GROUND MOUNT SIGN CROSS SECTIONS

SCALE: 1" = 1' SHEET NO. 9 OF 15 SHEETS STA. TO STA.

F.A. RTE.	SECTION	COUNTY	TOTAL SHEETS	SHEET NO.
•	OXI-6-2JHBK-2,HB-1,2,1X-1R-1	WILLIAMSON	968	529
* F.A.I. 57 AND F.A.P. 331			CONTRACT NO. 78182	
ILLINOIS FED. AID PROJECT				