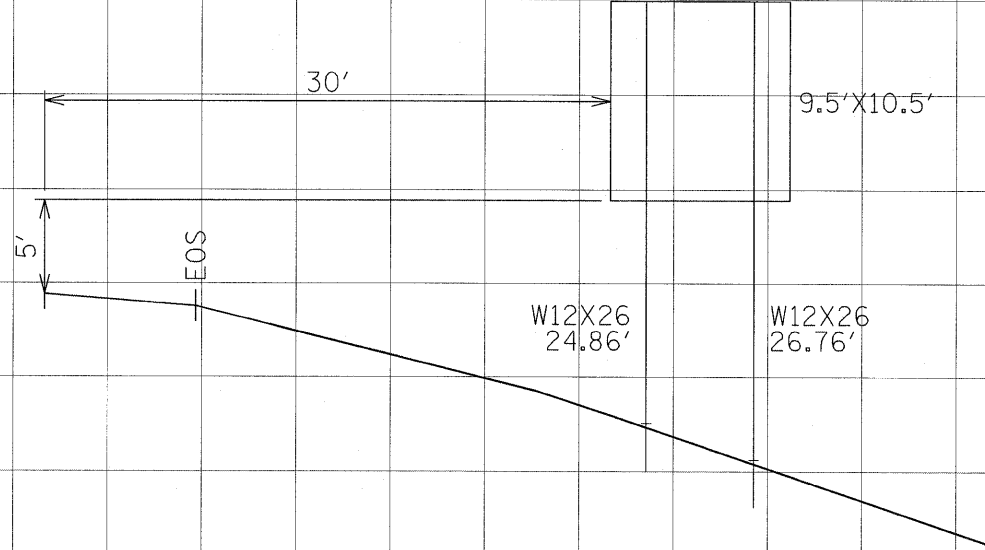
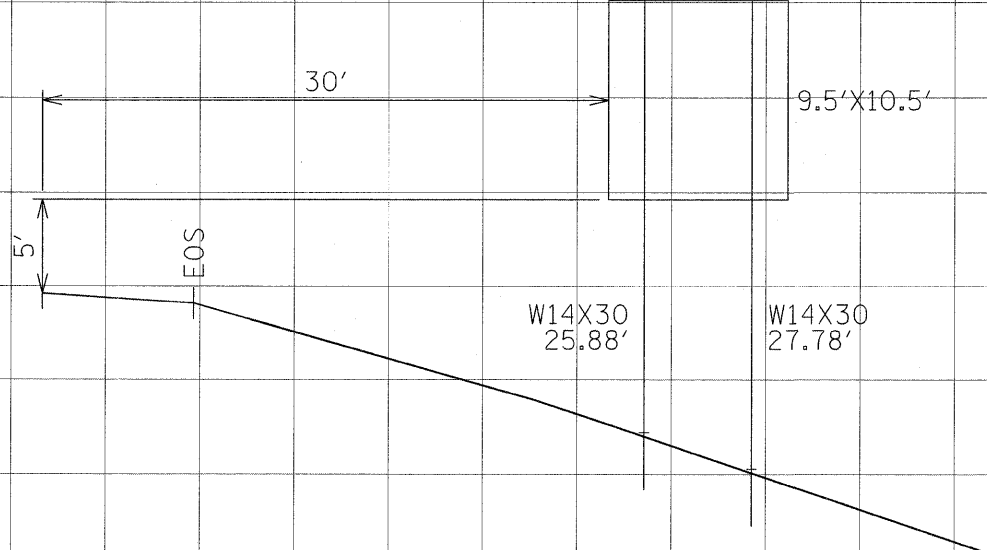


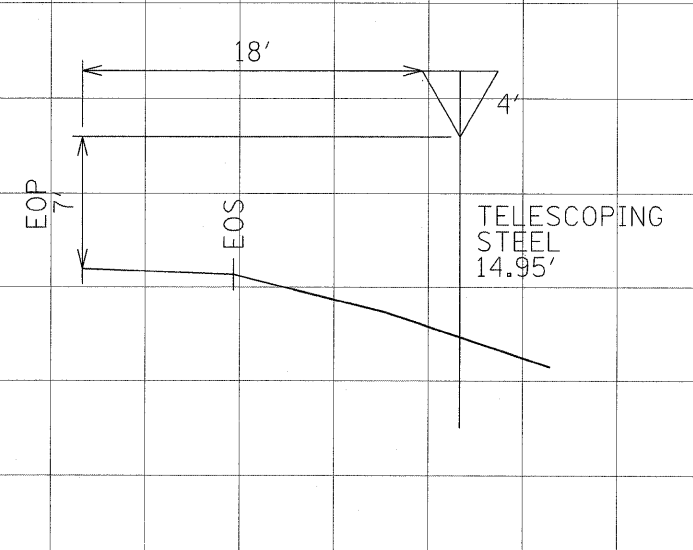
STA. 9+00, RT
RAMP B



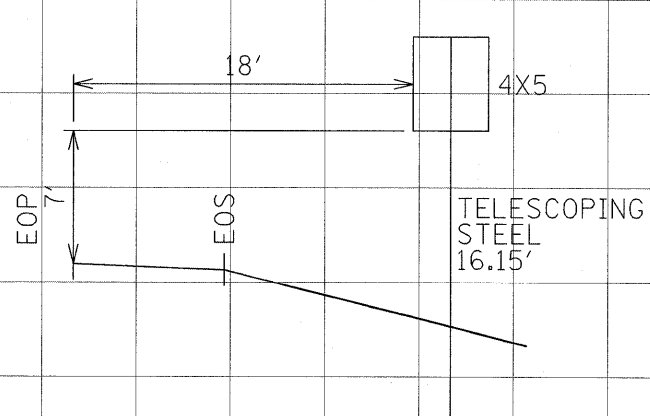
STA. 8+00, RT
RAMP B



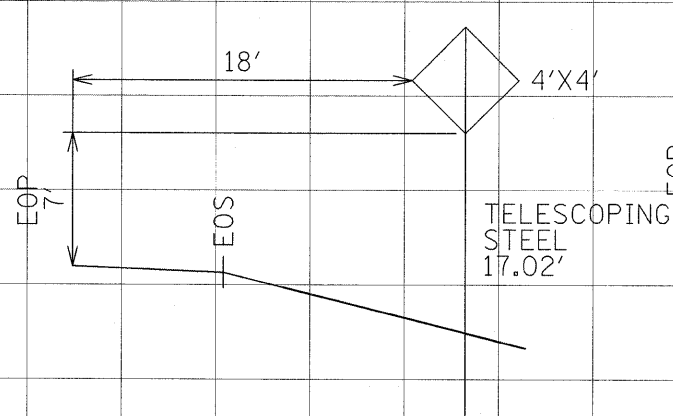
STA. 2+71, RT
RAMP C-R



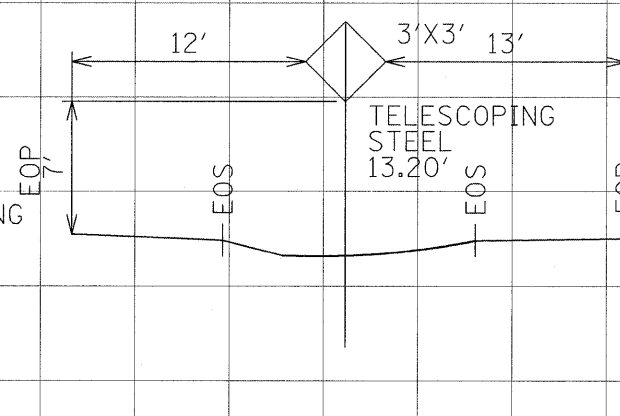
STA. 5+12, RT
RAMP C



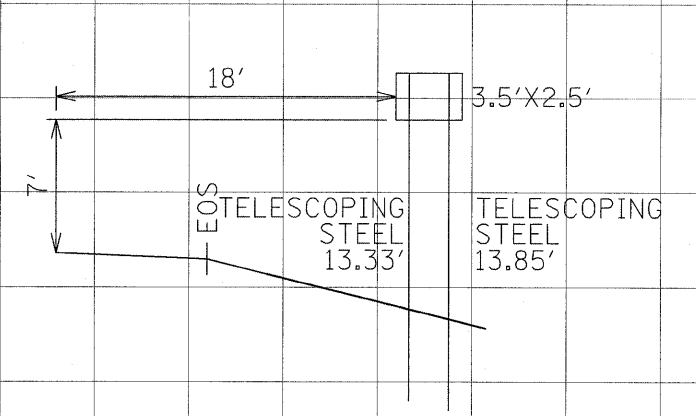
STA. 5+96, RT
RAMP C



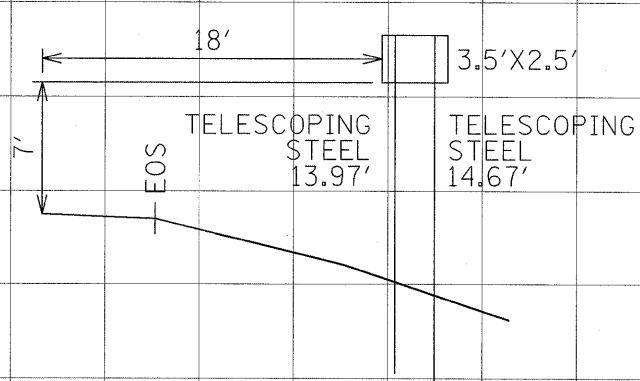
STA. 124+18, RT
RAMP D



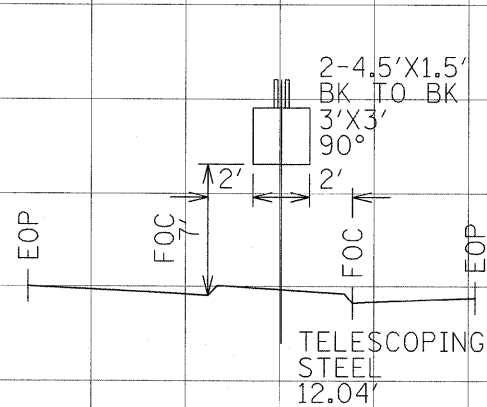
STA. 126+75, RT
RAMP D



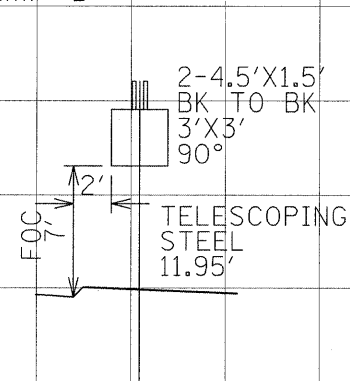
STA. 126+75, LT
RAMP D



STA. 129+27, RT
RAMP D



STA. 129+99, LT
RAMP D



EFK Moen, LLC
Civil Engineering Design

DATE	
BY	
NO.	
AREAS CHECKED	
TEMPERATURE	
PLOTTED	
SURVEY	
FINAL	
NOTE BOOK	

DATE	
BY	
NO.	
AREAS CHECKED	
TEMPERATURE	
PLOTTED	
SURVEY	
ORIGINAL	
NOTE BOOK	

FILE NAME = ...D978182-sht-sign08-122-Ground Mount Xsec.dgn
PLOT SCALE = 5.0000' / IN.
PLOT DATE = 10/10/2011

USER NAME = Brad Downen
DESIGNED - JD
DRAWN - MK
CHECKED - SD
DATE - 10/07/11

REVISED -
REVISED -
REVISED -
REVISED -

STATE OF ILLINOIS
DEPARTMENT OF TRANSPORTATION

GROUND MOUNT SIGN CROSS SECTIONS

SCALE: 1"V : 1" H SHEET NO. 15 OF 15 SHEETS STA. TO STA.

F.A. RTE.	SECTION	COUNTY	TOTAL SHEETS	SHEET NO.
*	0X1-6-2(HBK-2,HB-1,2)(IX-1R-1	WILLIAMSON	968	535
* F.A.I. 57 AND F.A.P. 331		CONTRACT NO. 78182		
ILLINOIS FED. AID PROJECT				