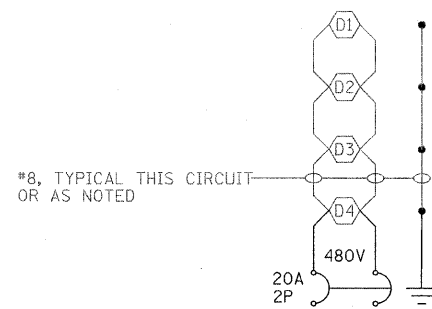
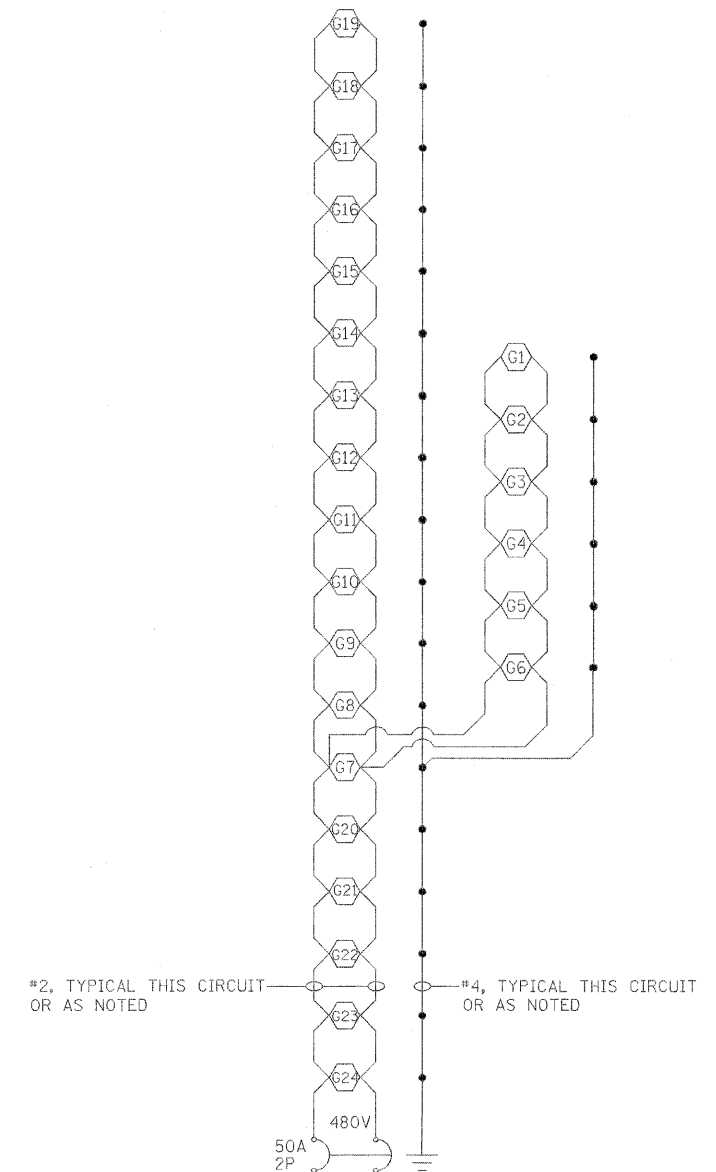


EXISTING LIGHTING CKT H
PROPOSED LIGHTING CONTROLLER#1 BASE MOUNTED



EXISTING LIGHTING CKT D
PROPOSED LIGHTING CONTROLLER#1 BASE MOUNTED



EXISTING LIGHTING CKT G
EXISTING LIGHTING CONTROLLER (SOUTHWEST OF MORGAN AVE.)

NOTES:

- ALL NECESSARY REVISIONS TO THE WIRING SHOWN ON THIS SHEET SHALL BE MADE AT NO ADDITIONAL COST TO THE DEPARTMENT AND TO THE SATISFACTION OF THE ENGINEER.

⬡ 400W PROPOSED LUMINAIRE

⬢ SIGN LIGHTING, NUMBER OF 150W LUMINAIRES AS INDICATED

□ JUNCTION BOX

L31

FILE NAME = ...AD978182-shd-T_light.dtl-L31.dgn	USER NAME = Gary Davis	DESIGNED - IDOT CENTRAL OFFICE	REVISED -	STATE OF ILLINOIS DEPARTMENT OF TRANSPORTATION	WIRING DIAGRAM (MORGAN AVE. CONTROLLER) INTERSTATE 57	F.A. RTE.	SECTION	COUNTY	TOTAL SHEETS	SHEET NO.
		DRAWN - GLD (CMT)	REVISED -			* 0X1-6-2HDK-2, HB-1,2; 0X-1R-1	WILLIAMSON	968	574	
		CHECKED -	REVISED -			* F.A.I. 57 AND F.A.P. 331			CONTRACT NO. 78182	
		DATE - 10/07/11	REVISED -			ILLINOIS FED. AID PROJECT				
				SCALE: N.T.S.	SHEET NO. L31 OF L42 SHEETS	STA.	TO STA.			