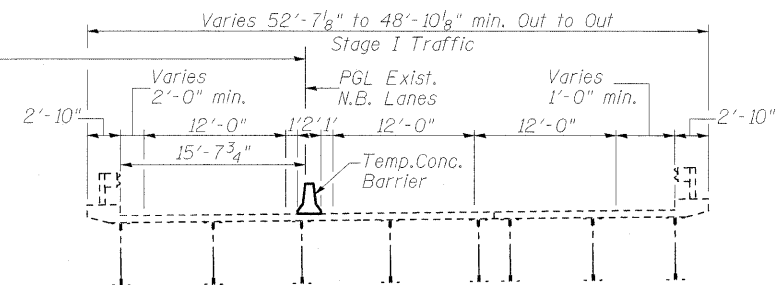
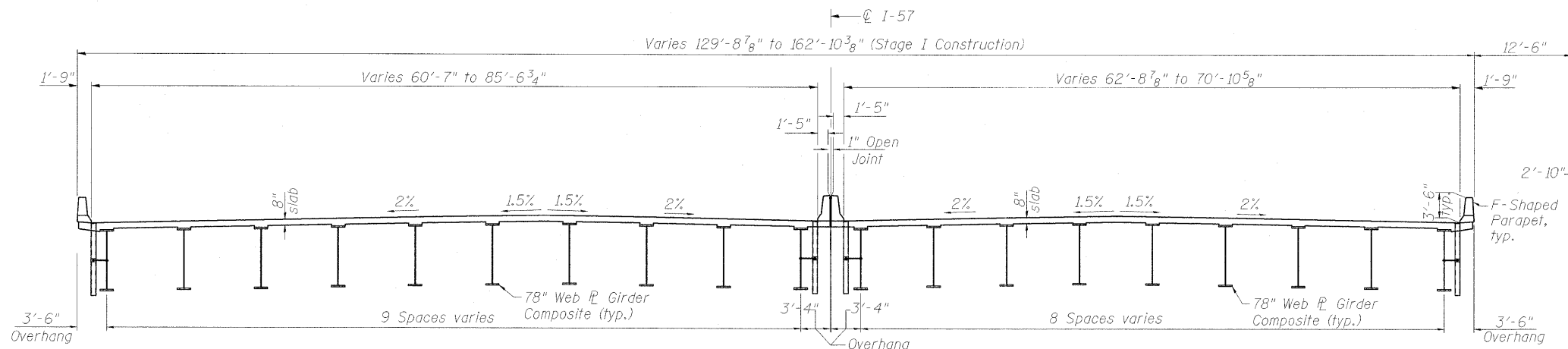


**STAGE I REMOVAL**

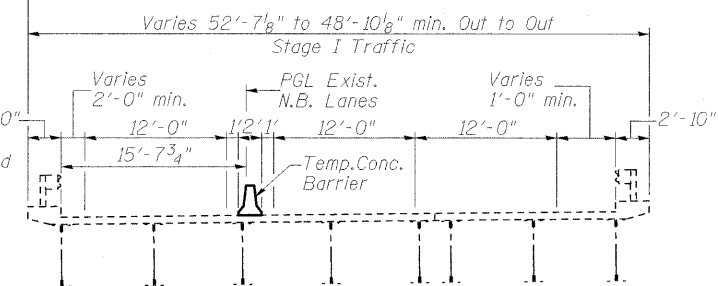


**STAGE I TRAFFIC**

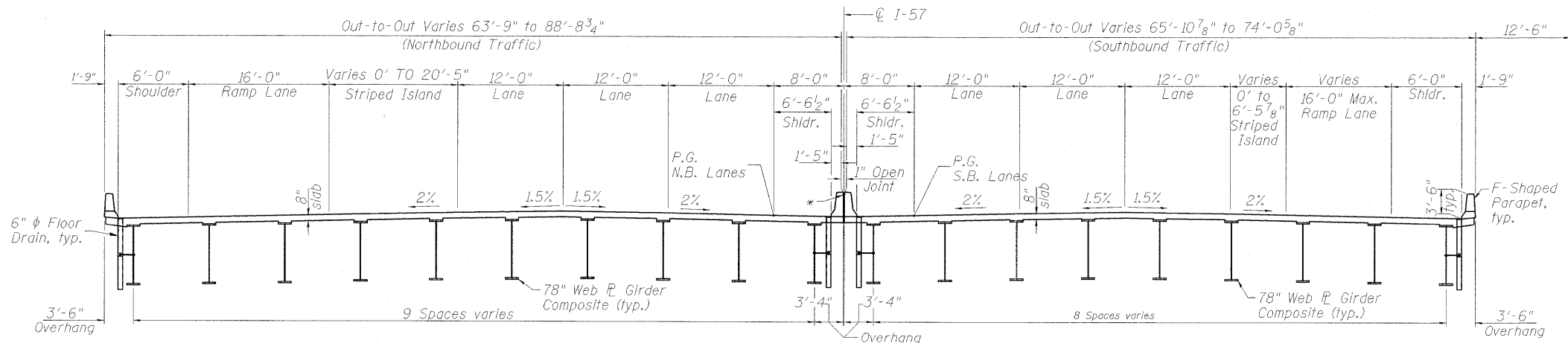


**STAGE I CONSTRUCTION**

Notes:  
 All dimensions are measured at Rt. L's to  $\text{C I-57}$  unless noted otherwise.  
 Bridge underpass lighting required between girders, not shown.  
 \* Preformed Joint Seal (2 1/2")

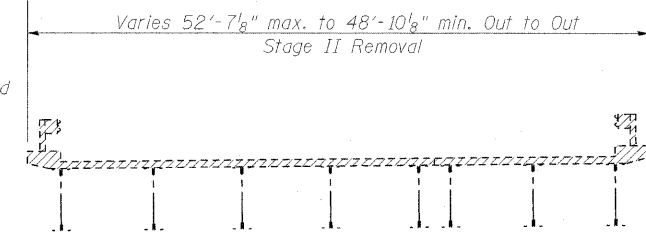


**STAGE I TRAFFIC**



**PROPOSED CROSS SECTION**

Notes:  
 (Showing finished traffic lanes)  
 All dimensions are measured at Rt. L's to  $\text{C I-57}$  unless noted otherwise.  
 Bridge underpass lighting required between girders, not shown.  
 \* Preformed Joint Seal (2 1/2")



**STAGE II REMOVAL**



FILE NAME = ...004.STAGE CONSTRUCTION DETAILS.dgn  
 USER NAME = Rob Heady  
 PLOT SCALE =  
 PLOT DATE = 10/7/2011

DESIGNED - BPD  
 CHECKED - WLB  
 DRAWN - GLD  
 CHECKED - BPD

REVISED -  
 REVISED -  
 REVISED -  
 REVISED -

STATE OF ILLINOIS  
 DEPARTMENT OF TRANSPORTATION

STAGE CONSTRUCTION DETAILS  
 STRUCTURE NO. 100-0088 (N.B.) & 100-0089 (S.B.)  
 SHEET NO. 4 OF 75 SHEETS

F.A. RTE.	SECTION	COUNTY	TOTAL SHEETS	SHEET NO.
*	(X1-6-2)HKB-2	WILLIAMSON	968	589
* F.A.I. 57 AND F.A.P. 331			CONTRACT NO. 78182	

ILLINOIS FED. AID PROJECT