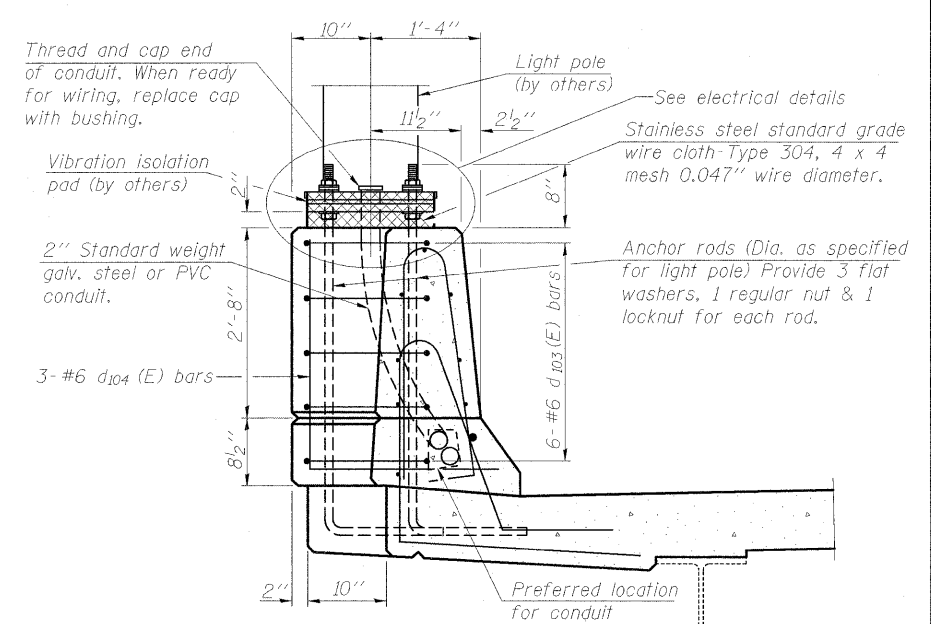
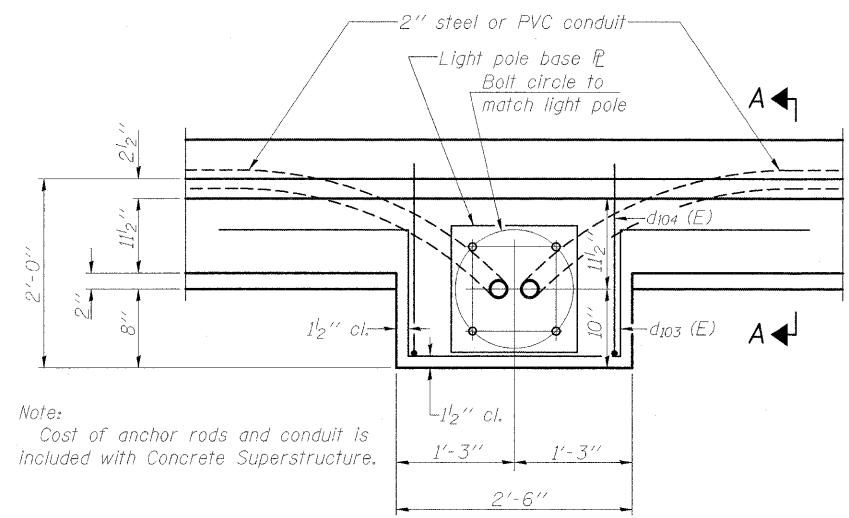


SECTION THRU OUTSIDE PARAPET

SECTION THRU MEDIAN PARAPET



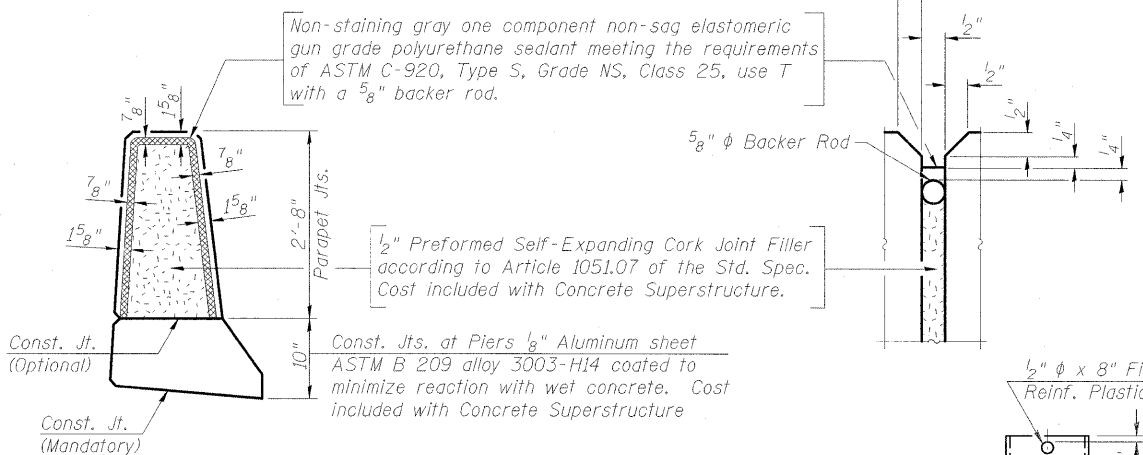
SECTION A-A



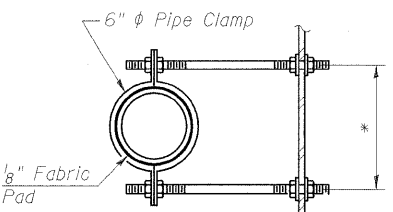
PLAN LIGHT POLE MOUNTED ON CONCRETE PARAPET

Note: Cost of anchor rods and conduit is included with Concrete Superstructure.

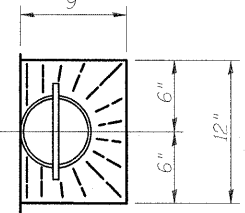
Notes:
 The exterior surfaces of the floor drains shall be painted with the finish coat as specified in the special provisions for Cleaning and Painting New Metal Structures. The exterior surfaces of the drains shall be cleaned according to Society of Protective Coatings Spec. SSPC-SP1 prior to painting.
 Fiberglass pipe shall conform to ASTM D 2996, with short-time rupture strength hoop tensile stress of 30,000 p.s.i. minimum.
 Galvanize clamping device according to AASHTO M232. Cost of clamping device and inserts is included with Floor Drains.



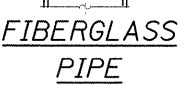
PARAPET JOINT DETAILS



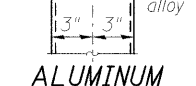
SECTION B-B
 *Dimension as required by Pipe Clamp



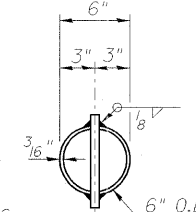
TOP PLAN



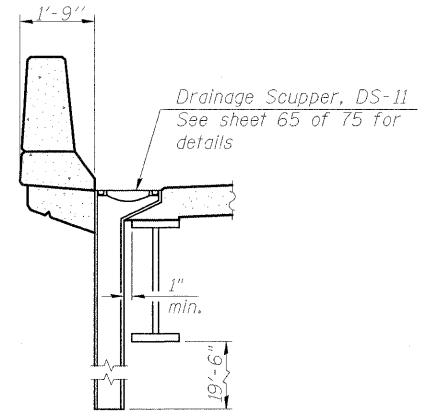
FIBERGLASS PIPE



ALUMINUM TUBE



TOP PLAN (Showing Aluminum Tube)



SECTION C-C

CMT
 CRAWFORD MURPHY & TILLY, INC.
 CONSULTING ENGINEERS
 SPRINGFIELD, ILL. ■ AURORA, ILL. ■ ST. LOUIS, MO
 ROCKFORD, ILL. ■ PEORIA, ILL. ■ CHICAGO, ILL.

FILE NAME = ... \023A.SUPERSTRUCTURE DETAILS.NB-II.dwg	USER NAME = Rob Heady	DESIGNED - BPD	REVISED -
		CHECKED - WLB	REVISED -
		DRAWN - GLD	REVISED -
		CHECKED - BPD	REVISED -
PLOT SCALE =			
PLOT DATE = 10/17/2011			

STATE OF ILLINOIS
 DEPARTMENT OF TRANSPORTATION

SUPERSTRUCTURE DETAILS - II
 STRUCTURE NO. 100-0088 (N.B.)
 SHEET NO. 22 OF 75 SHEETS

F.A. RTE.	SECTION	COUNTY	TOTAL SHEETS	SHEET NO.
*	(X1-6-2)HBK-2	WILLIAMSON	968	607
* F.A.I. 57 AND F.A.P. 331		CONTRACT NO. 78182		
ILLINOIS FED. AID PROJECT				