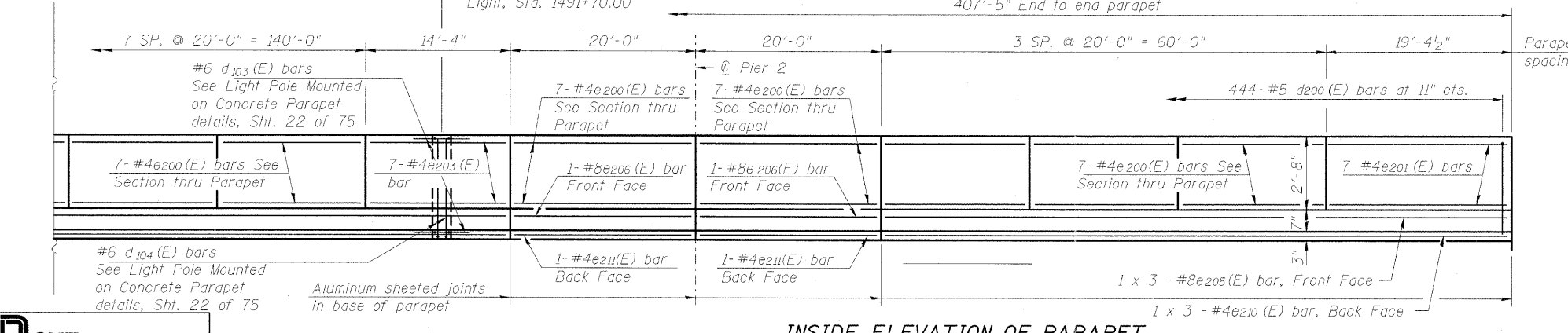
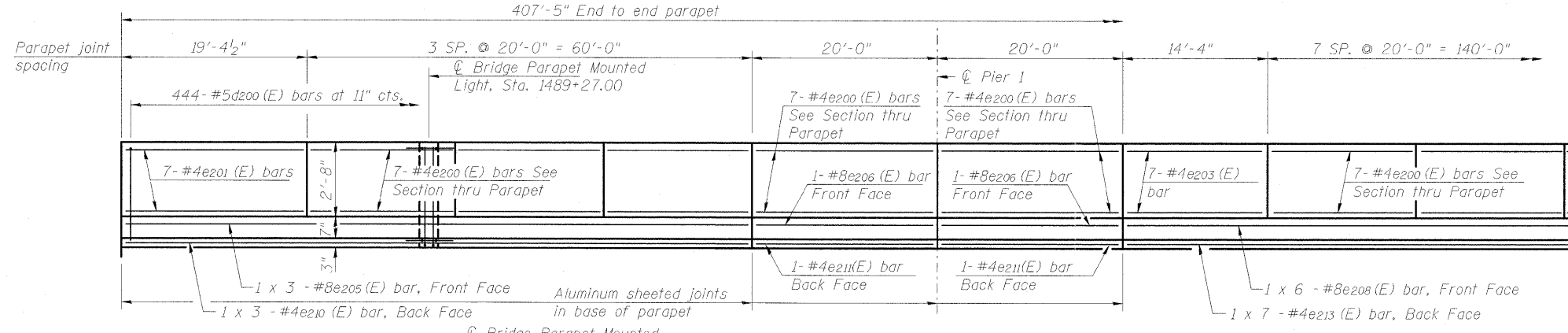
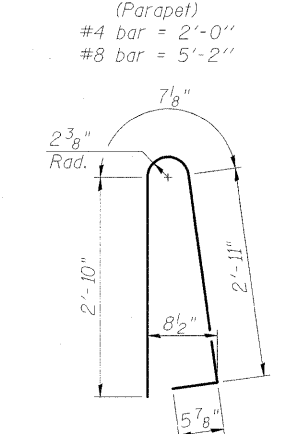


INSIDE ELEVATION OF PARAPET
(East Parapet)

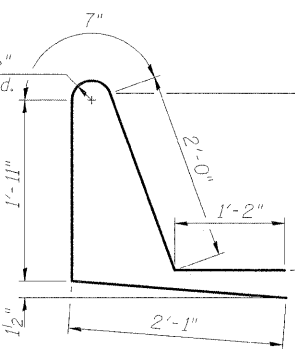


INSIDE ELEVATION OF PARAPET
(West Parapet)

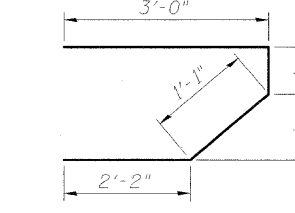
MINIMUM BAR LAP



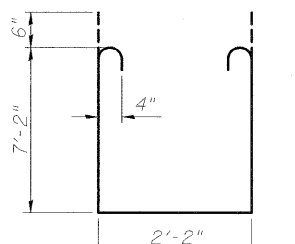
BAR d200 (E)



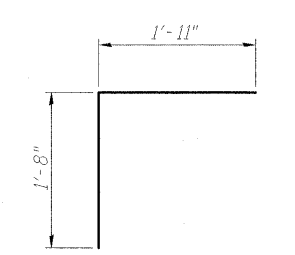
BAR d201 (E)



BAR s217 (E) & s247 (E)



BAR s218 (E) & s248 (E)



BAR v215 (E) & v245 (E)

SUPERSTRUCTURE
BILL OF MATERIAL

Bar	No.	Size	Length	Shape
d200 (E)	1788	#5	34'-1"	—
d201 (E)	1638	#5	23'-7"	—
d202 (E)	1782	#6	6'-6"	—
d203 (E)	444	#5	13'-8"	—
d204 (E)	273	#5	13'-8"	—
d205 (E)	6	#6	26'-9"	—
d206 (E)	6	#6	24'-0"	—
d214 (E)	32	#5	1'-6"	—
b200 (E)	1258	#5	26'-7"	—
b201 (E)	1404	#5	25'-3"	—
b202 (E)	576	#6	34'-6"	—
d200 (E)	891	#5	6'-10"	⌋
d201 (E)	891	#5	7'-9"	⌋
d203 (E)	12	#6	8'-11"	⌋
d204 (E)	6	#6	5'-1"	⌋
e200 (E)	154	#4	19'-8"	—
e201 (E)	14	#4	21'-10"	—
e202 (E)	14	#4	16'-11"	—
e203 (E)	14	#4	14'-8"	—
e204 (E)	6	#8	30'-9"	—
e205 (E)	6	#8	30'-0"	—
e206 (E)	8	#8	19'-8"	—
e207 (E)	6	#8	33'-4"	—
e208 (E)	6	#8	32'-8"	—
e209 (E)	6	#4	28'-8"	—
e210 (E)	6	#4	27'-11"	—
e211 (E)	8	#4	19'-8"	—
e212 (E)	7	#4	26'-7"	—
e213 (E)	7	#4	26'-0"	—
m210 (E)	10	#6	40'-4"	—
m211 (E)	18	#6	12'-3"	—
m212 (E)	8	#6	8'-8"	—
m213 (E)	2	#6	3'-6"	—
m240 (E)	10	#6	36'-5"	—
m241 (E)	18	#6	11'-2"	—
m242 (E)	8	#6	7'-7"	—
m243 (E)	1	#6	3'-4"	—
m244 (E)	1	#6	2'-11"	—
s217 (E)	78	#5	6'-10"	⌋
s218 (E)	70	#4	17'-6"	⌋
s247 (E)	54	#5	6'-10"	⌋
s248 (E)	46	#4	17'-6"	⌋
v215 (E)	74	#5	3'-7"	⌋
v245 (E)	66	#5	3'-7"	⌋
Reinforcement Bars, Epoxy Coated	Pound		257,820	
Concrete Superstructure	Cu. Yd.		949.9	
Bridge Deck Grooving	Sq. Yd.		2,941	
Protective Coat	Sq. Yd.		3,434	
Bar Splicers	Each		148	
Staining Concrete Structures	Sq. Yd.		159	
Concrete Stain	Sq. Yd.		18	

Bars indicated thus 1 x 3-#5 etc. indicates 1 line of bars with 3 lengths per line.

BAR v215 (E) & v245 (E)

BAR d203 (E)

BAR d204 (E)

CMT
CRAWFORD MURPHY & TILLY, INC.
CONSULTING ENGINEERS
SPRINGFIELD, ILL. ■ AURORA, ILL. ■ ST. LOUIS, MO
ROCKFORD, ILL. ■ PEORIA, ILL. ■ CHICAGO, ILL.

FILE NAME = ...1024.SUPERSTRUCTURE DETAILS.SB-1.dgn
USER NAME = Rob Heady
DESIGNED - BPD
CHECKED - WLB
DRAWN - GLD
CHECKED - BPD
PLOT SCALE =
PLOT DATE = 10/7/2011

DESIGNED - BPD	REVISED -
CHECKED - WLB	REVISED -
DRAWN - GLD	REVISED -
CHECKED - BPD	REVISED -

STATE OF ILLINOIS
DEPARTMENT OF TRANSPORTATION

SUPERSTRUCTURE DETAILS - I
STRUCTURE NO. 100-0089 (S.B.)

SHEET NO. 25 OF 75 SHEETS

F.A. RTE.	SECTION	COUNTY	TOTAL SHEETS	SHEET NO.
*	(X1-6-2)HKB-2	WILLIAMSON	968	610
* F.A.I. 57 AND F.A.P. 331			CONTRACT NO. 78182	
ILLINOIS FED. AID PROJECT				