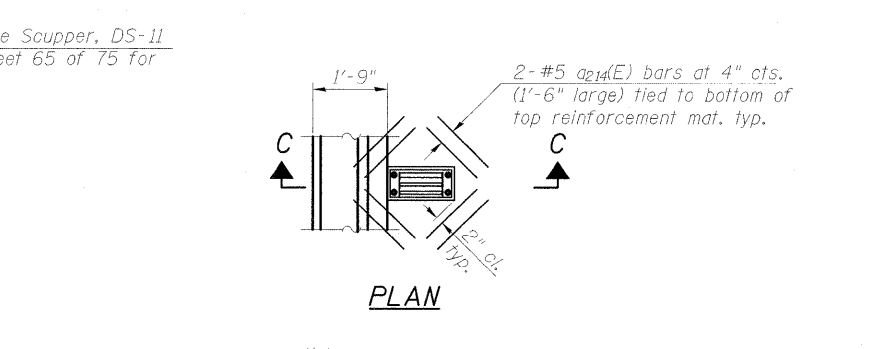


LIGHT POLE MOUNTED ON CONCRETE PARAPET

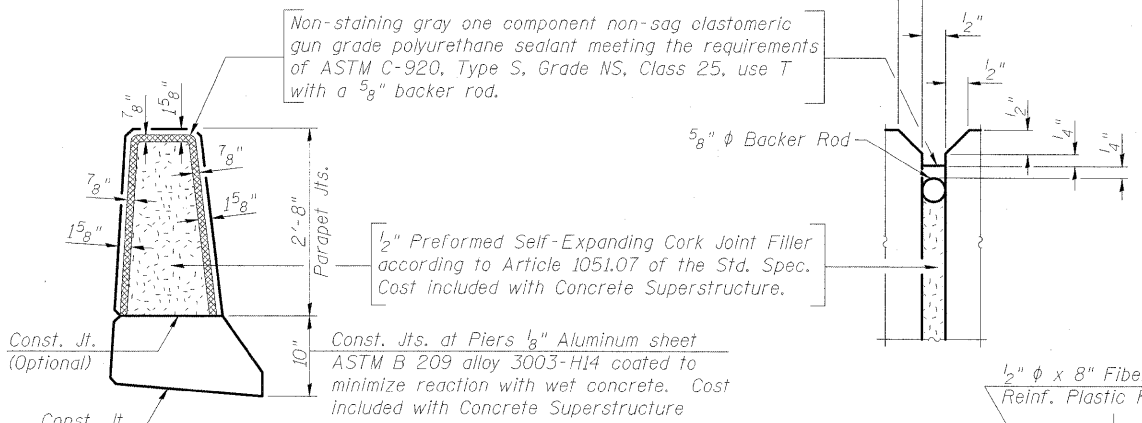


Note: Cut longitudinal reinforcement to clear drainage scuppers.

SECTION THRU OUTSIDE PARAPET

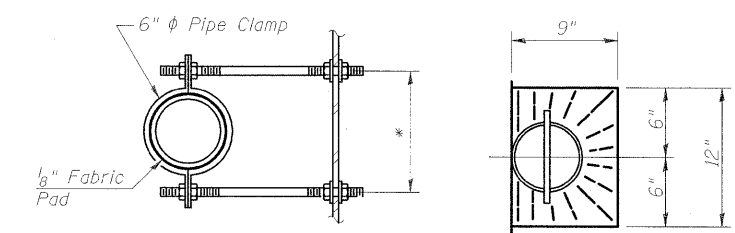
SECTION THRU MEDIAN PARAPET

Non-staining gray one component non-sag elastomeric gun grade polyurethane sealant meeting the requirements of ASTM C-920, Type S, Grade NS, Class 25, use T with a 5/8" backer rod.

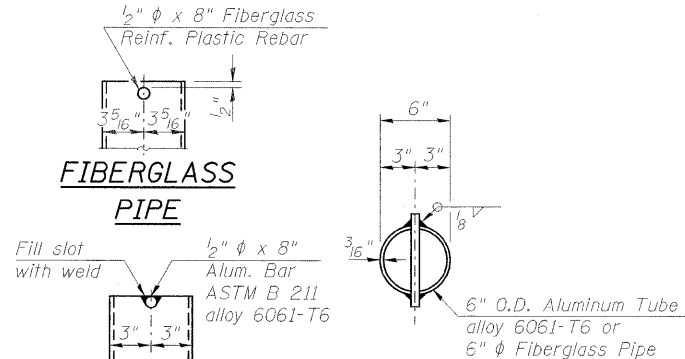


Notes:
 The exterior surfaces of the floor drains shall be painted with the finish coat as specified in the special provisions for Cleaning and Painting New Metal Structures. The exterior surfaces of the drains shall be cleaned according to Society of Protective Coatings Spec. SSPC-SP1 prior to painting.
 Fiberglass pipe shall conform to ASTM D 2996, with short-time rupture strength hoop tensile stress of 30,000 p.s.i. minimum.
 Galvanize clamping device according to AASHTO M232. Cost of clamping device and inserts is included with Floor Drains.

PARAPET JOINT DETAILS



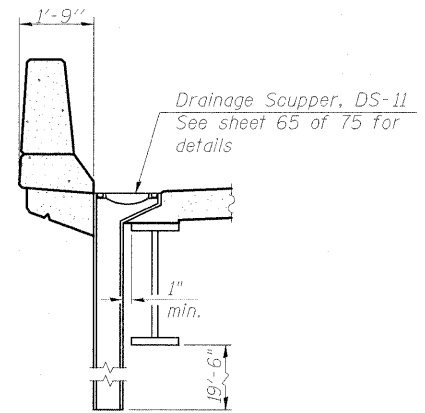
SECTION B-B
 *Dimension as required by Pipe Clamp



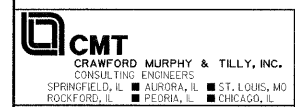
FIBERGLASS PIPE

ALUMINUM TUBE

TOP PLAN (Showing Aluminum Tube)



SECTION C-C



FILE NAME = ...N024A_SUPERSTRUCTURE_DETAILS_SB-11.dgn
 USER NAME = Rob Heady
 PLOT SCALE =
 PLOT DATE = 10/7/2011

DESIGNED - BPD
 CHECKED - WLB
 DRAWN - GLD
 CHECKED - BPD

REVISED -
 REVISED -
 REVISED -
 REVISED -

STATE OF ILLINOIS
DEPARTMENT OF TRANSPORTATION

SUPERSTRUCTURE DETAILS - II
STRUCTURE NO. 100-0089 (S.B.)

SHEET NO. 26 OF 75 SHEETS

F.A. RTE.	SECTION	COUNTY	TOTAL SHEETS	SHEET NO.
*	(X1-6-2)HBK-2	WILLIAMSON	968	611
* F.A.I. 57 AND F.A.P. 331			CONTRACT NO. 78182	
ILLINOIS FED. AID PROJECT				