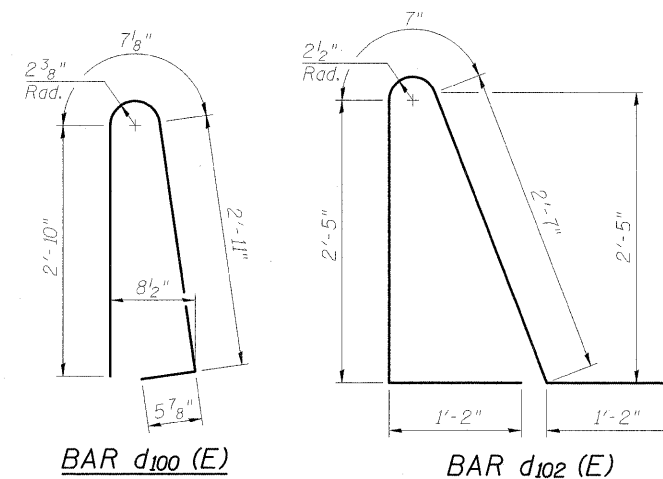


SECTION C-C

**NOTES:**

1. See sheet 33 of 75 for Detail A and View B-B.
2. Approach slab and parapet concrete shall be paid for as Concrete Superstructure.
3. Approach footing concrete shall be paid for as Concrete Structures.
4. Reinforcement shall be paid for as Reinforcement Bars, Epoxy Coated.
5. For v115(E) bar details, see sheet 21 of 75.
6. The approach footing maximum applied service bearing pressure (Qmax) = 2.0 ksf.
7. For bar splicer details, see sheet 65 of 75.
8. Cost of excavation for approach footing included with Concrete Structures.
9. For Porous Granular Embankment (Special) and drainage treatment details, see sheet 2 of 75.
10. For additional parapet details, see sheet 22 of 75.

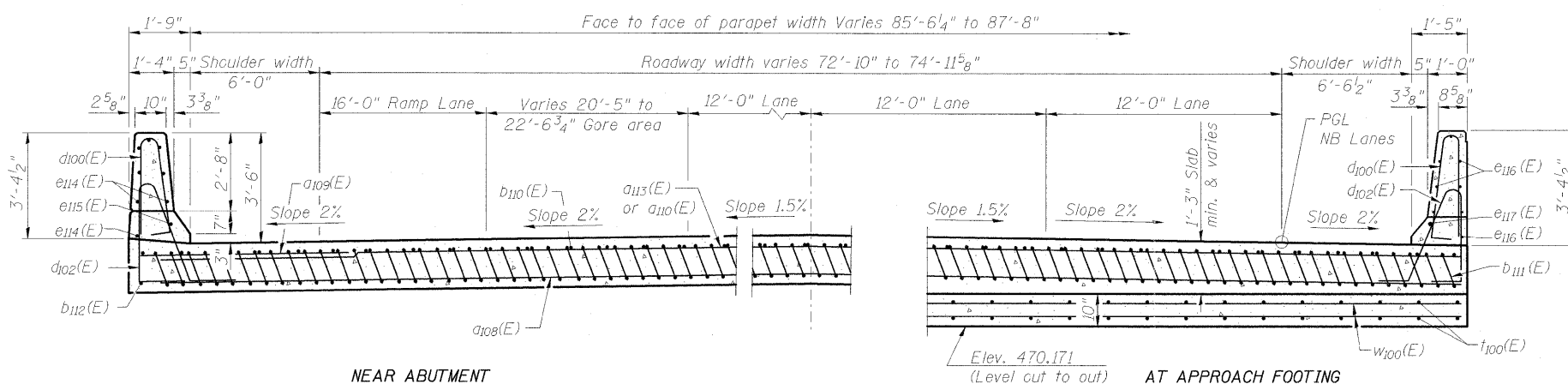


BAR d100 (E)

BAR d102 (E)

\* Tilt #9 b111(E) bars as required to maintain clearance.

\*\*\* Cost included with Concrete Superstructure.

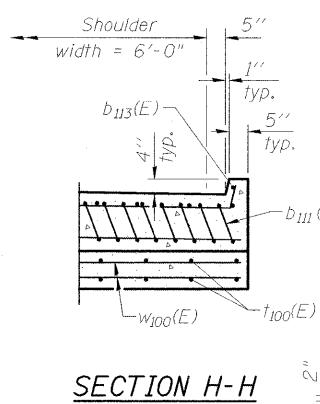


NEAR ABUTMENT

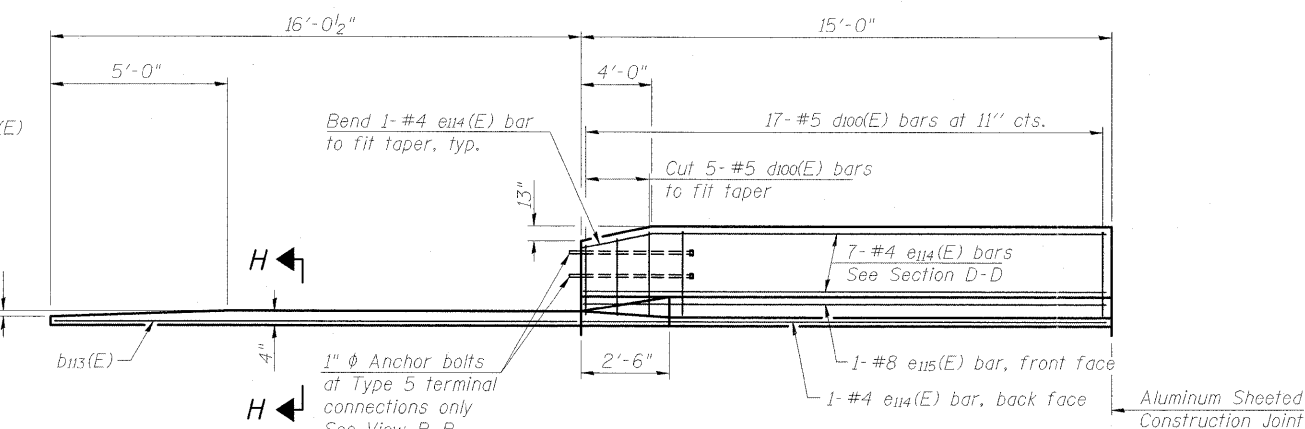
AT APPROACH FOOTING

SECTION D-D

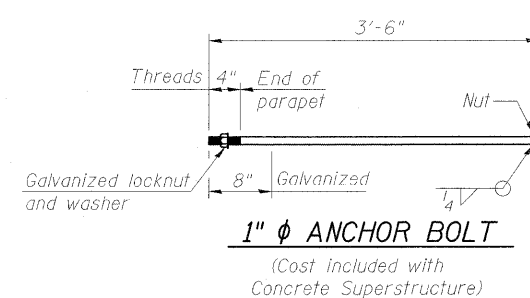
(See Plan for dimensions not shown)



SECTION H-H

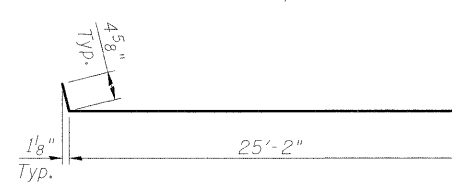


VIEW E-E

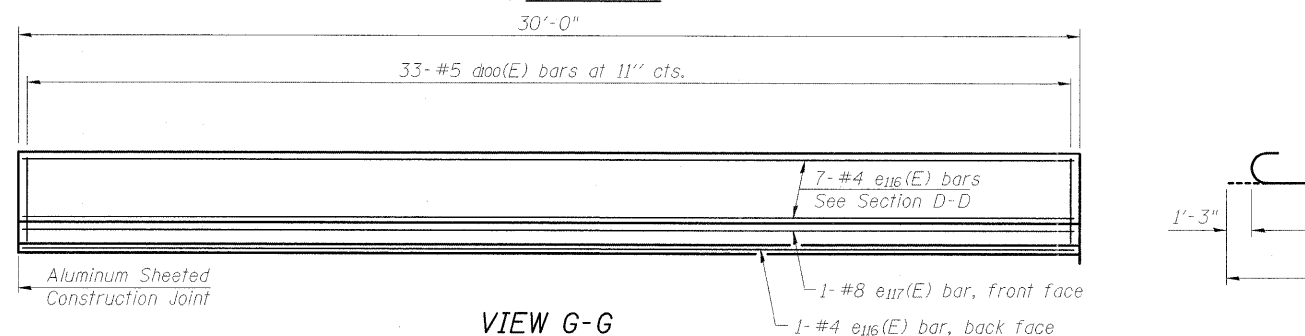


1" φ ANCHOR BOLT

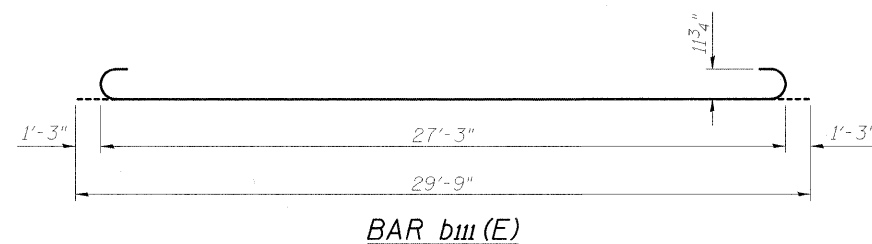
(Cost included with Concrete Superstructure)



BAR a107 (E)



VIEW G-G



BAR b111 (E)

(Sheet 2 of 2)

**BILL OF MATERIAL**

Bar	No.	Size	Length	Shape
a113(E)	50	#4	25'-7"	U
a108(E)	184	#5	26'-0"	—
a109(E)	36	#6	6'-6"	—
a110(E)	50	#4	25'-11"	—
b110(E)	72	#4	29'-8"	—
b111(E)	215	#9	29'-9"	U
b112(E)	1	#4	14'-8"	—
b113(E)	1	#4	15'-8"	—
d100(E)	50	#5	6'-10"	U
d102(E)	50	#5	7'-11"	U
e114(E)	8	#4	14'-8"	—
e115(E)	1	#8	14'-8"	—
e116(E)	8	#4	29'-8"	—
e117(E)	1	#8	29'-8"	—
t100(E)	180	#4	10'-2"	—
w100(E)	160	#5	26'-1"	—
Structure Excavation		Cu. Yd.	42	
Concrete Structures		Cu. Yd.	29.2	
Concrete Superstructure		Cu. Yd.	150.7	
Bridge Deck Grooving		Sq. Yd.	282	
Protective Coat		Sq. Yd.	313	
Reinforcement Bars, Epoxy Coated		Pound	36,960	
Staining Concrete Structure		Sq. Yd.	6	

**CMT**  
CRAWFORD MURPHY & TILLY, INC.  
CONSULTING ENGINEERS  
SPRINGFIELD, ILL. ■ ASTORIA, ILL. ■ ST. LOUIS, MO  
ROCKFORD, ILL. ■ PEORIA, ILL. ■ CHICAGO, ILL.

FILE NAME = ... \026\_NO BR APP SLAB DTLS-11-NB.dgn  
USER NAME = Rob Heady  
PLOT SCALE =  
PLOT DATE = 10/7/2011

DESIGNED - BPD  
CHECKED - WLB  
DRAWN - GLD  
CHECKED - BPD

REVISIONS:  
REVISOR -  
REVISION -  
REVISOR -  
REVISION -  
REVISOR -  
REVISION -

STATE OF ILLINOIS  
DEPARTMENT OF TRANSPORTATION

NORTH BRIDGE APPROACH SLAB DETAILS  
STRUCTURE NO. 100-0088 (N.B.)  
SHEET NO. 34 OF 75 SHEETS

F.A. RTE. SECTION COUNTY TOTAL SHEETS SHEET NO.  
\* (X1-6-2)HKB-2 WILLIAMSON 968 619  
\* F.A.I. 57 AND F.A.P. 331 CONTRACT NO. 78182  
ILLINOIS FED. AID PROJECT