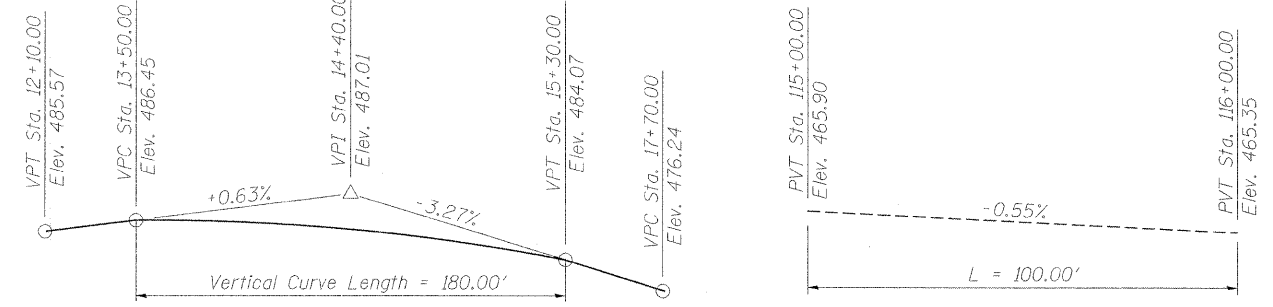
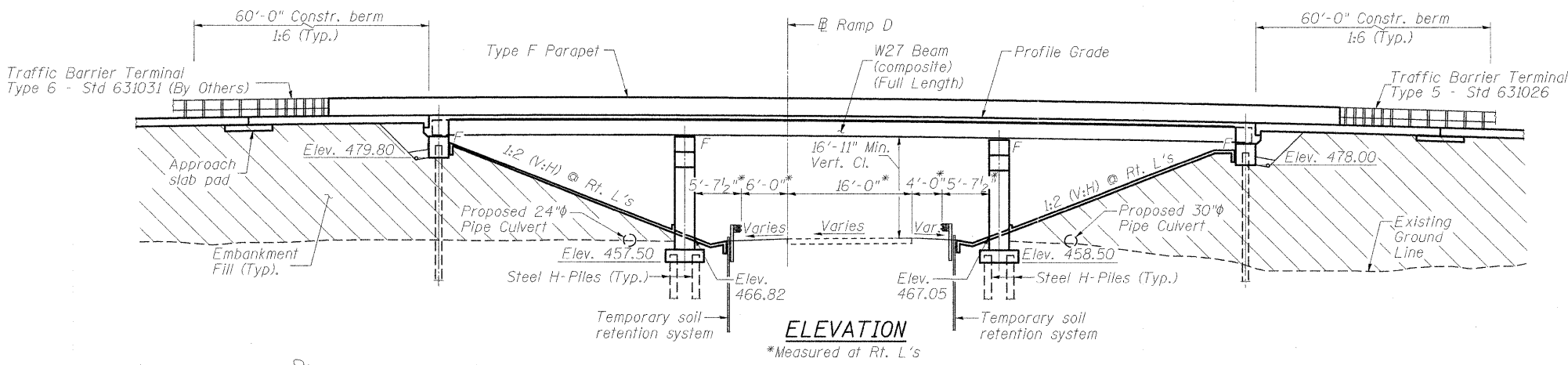


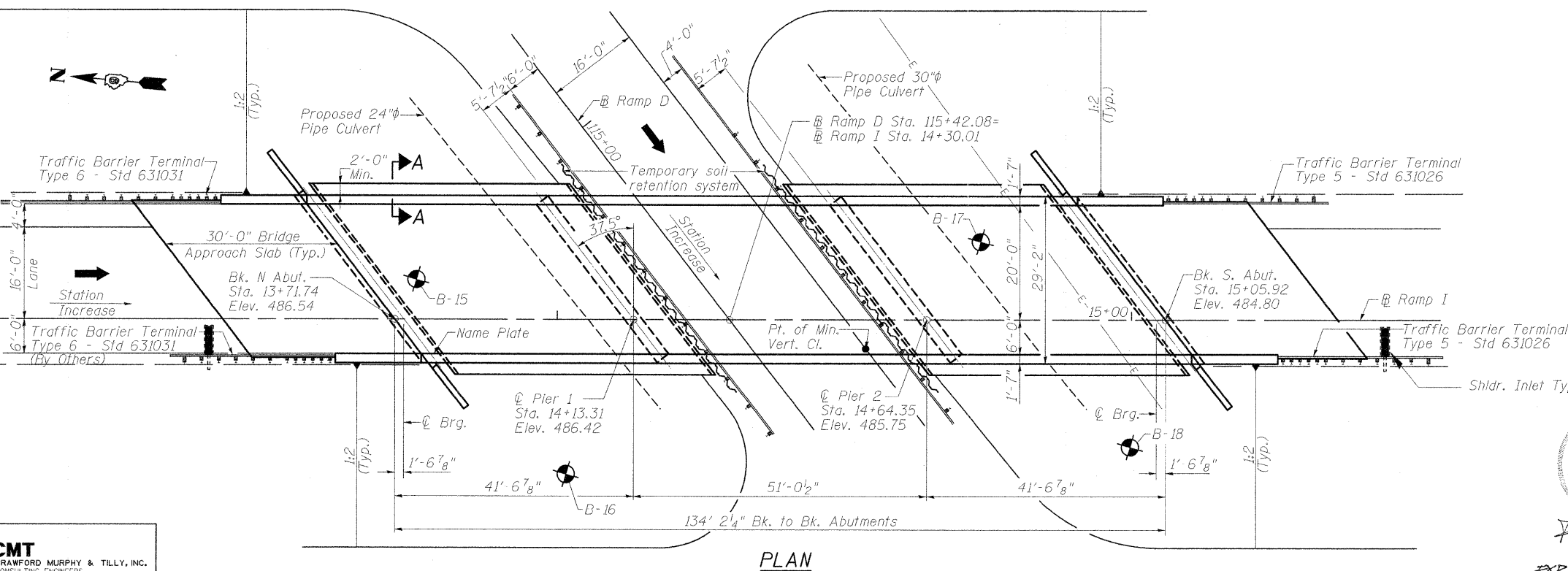
Benchmark: PSM-100-09-05 = IDOT Disk set in top of Precast Monument, at Morgan Ave. & Ramp "H" West of I-57 NE Quadrant. Elev 487.435

Existing Structure:
None



BORINGS

BORING	LOCATION
B-15	Sta. 13+74.78, Ramp I, 7.3' LT.
B-16	Sta. 13+97.92, Ramp I, 29.3' RT.
B-17	Sta. 14+73.45, Ramp I, 13.4' LT.
B-18	Sta. 14+99.51, Ramp I, 20.5' RT.



INDEX OF SHEETS

SHEET NO.	TITLE
1.	General Plan and Elevation
2.	General Data
3.	Deck Elevations 1
4.	Deck Elevations 2
5.	Top of Approach Slab Elevations
6.	Superstructure Plan & Cross Section
7.	Superstructure Details
8.	Integral Abutment Diaphragm Details
9.	Bridge Approach Slab Details 1
10.	Bridge Approach Slab Details 2
11.	Framing Plan
12.	Structural Steel Details
13.	North abutment
14.	South Abutment
15.	Pier 1
16.	Pier 1 Details
17.	Pier 2
18.	Pier 2 Details
19.	Bar Splicer Assembly and Mechanical Splicer Details
20.	Cantilever Forming Brackets (W27 & Smaller)
21.	HP Pile Details
22.	Boring Logs I
23.	Boring Logs II

DESIGN SPECIFICATIONS

2010 AASHTO LRFD Bridge Design Specifications with 2010 Interim Revisions

DESIGN STRESSES

FIELD UNITS

$f'_c = 3,500$ psi
 $f_y = 60,000$ psi (Reinforcement)
 $f_y = 50,000$ psi (M270 Grade 50)
 $f_y = 36,000$ psi (M270 Grade 36)

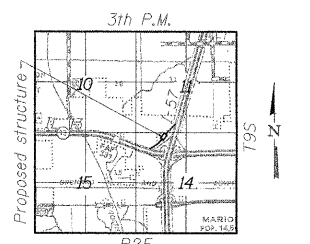
LOADING HL-93

Allow 50#/sq. ft. for future wearing surface.

SEISMIC DATA

Seismic Performance Zone (SPZ) = 2
 Design Spectral Acceleration at 1.0 sec. (S_{D1}) = 0.277g
 Design Spectral Acceleration at 0.2 sec. (S_{D5}) = 0.759g
 Soil Site Class = C

APPROVED
 FOR STRUCTURAL ADEQUACY ONLY
Carl Pinyan
 ENGINEER OF BRIDGES AND STRUCTURES



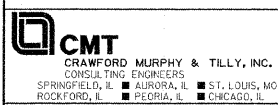
LOCATION SKETCH

GENERAL PLAN & ELEVATION

FAI 57 RAMP I OVER RAMP D
SECTION (X1-6-2)HB-1
WILLIAMSON COUNTY
STATION 14+30.01
STRUCTURE NO. 100-0097



Ronald E. Breville
 4 Oct 2011
 EXP: 30 Nov 2012



FILE NAME: ...GENERAL PLAN.ELEV.001.dgn	USER NAME = Gary Davis	DESIGNED - BPD	REVISD -
		CHECKED - REB	REVISD -
		DRAWN - GLD	REVISD -
		CHECKED - BPD	REVISD -

DESIGNED - BPD	REVISD -
CHECKED - REB	REVISD -
DRAWN - GLD	REVISD -
CHECKED - BPD	REVISD -

STATE OF ILLINOIS
DEPARTMENT OF TRANSPORTATION

F.A. RTE.	SECTION	COUNTY	TOTAL SHEETS	SHEET NO.
*	(X1-6-2)HB-1	WILLIAMSON	968	661
* F.A.I. 57 AND F.A.P. 331		CONTRACT NO. 78182		