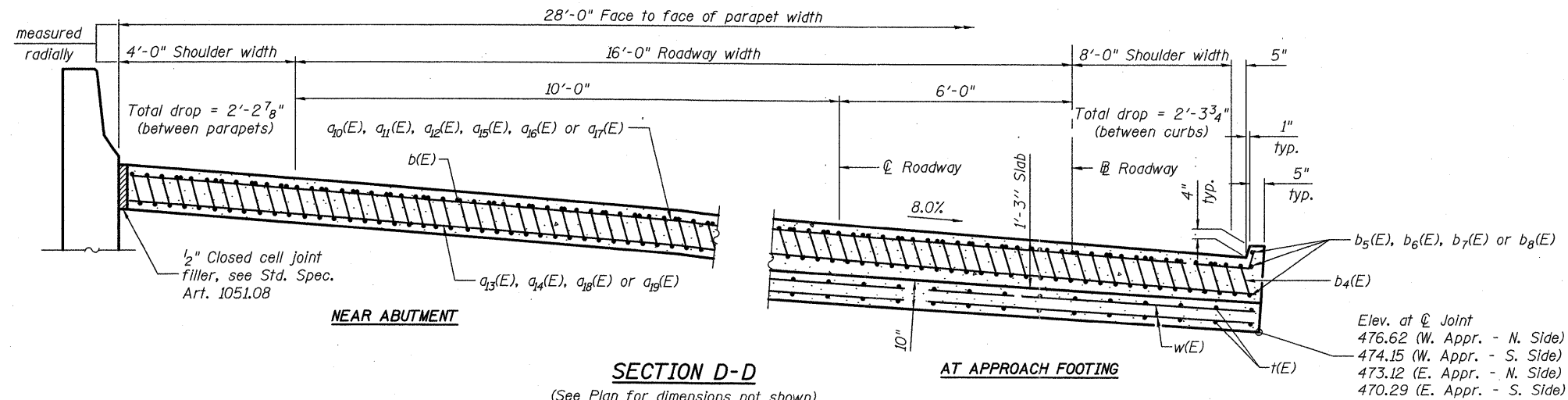


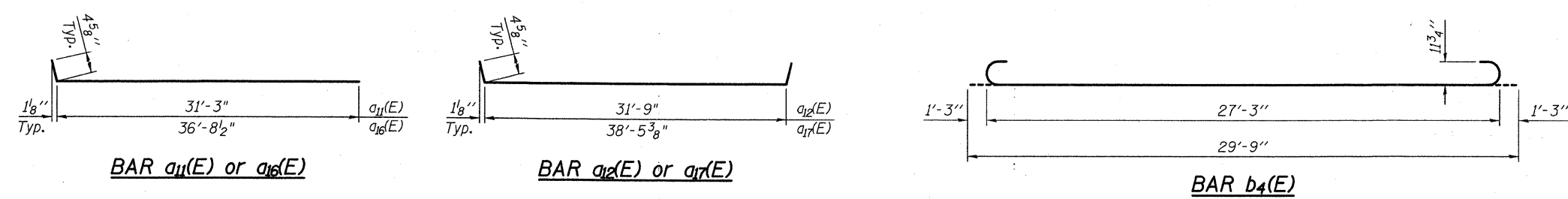
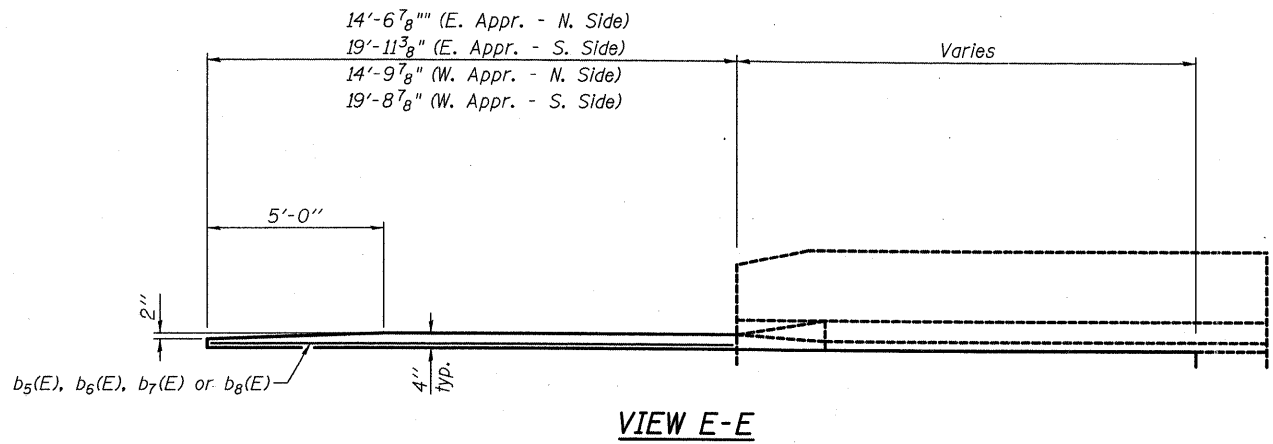
Notes:
 See sheet 10 of 33 for Detail A and View B-B.
 Approach slab concrete shall be paid for as Concrete Superstructure.
 Approach footing concrete shall be paid for as Concrete Structures.
 Reinforcement shall be paid for as Reinforcement Bars, Epoxy Coated.
 For v(E) bar details, see sheet 19 of 33 and 22 of 33.
 The approach footing maximum applied service bearing pressure (Qmax) = 2.0 ksf.
 For bar splicer details, see sheet 30 of 33.
 Cost of excavation for approach footing included with Concrete Structures.
 For Porous Granular Embankment (Special) and drainage treatment details, see sheet 2 of 33.
 For additional parapet details, see sheet 21 of 33 and 24 of 33.



* Tilt #9 b4(E) bars as required to maintain clearance.
 *** Cost included with Concrete Superstructure.

**TWO APPROACHES
 BILL OF MATERIAL**

Bar	No.	Size	Length	Shape
a10(E)	8	#4	30'-7"	—
a11(E)	4	#4	31'-7"	—
a12(E)	13	#4	32'-6"	—
a13(E)	22	#5	30'-7"	—
a14(E)	24	#5	32'-0"	—
a15(E)	9	#4	35'-4"	—
a16(E)	2	#4	37'-1"	—
a17(E)	13	#4	39'-2"	—
a18(E)	20	#5	35'-4"	—
a19(E)	25	#5	38'-11"	—
b3(E)	46	#4	29'-8"	—
b4(E)	134	#9	29'-9"	—
b5(E)	3	#4	19'-7"	—
b6(E)	3	#4	14'-1"	—
b7(E)	3	#4	19'-2"	—
b8(E)	3	#4	14'-5"	—
t(E)	60	#4	10'-6"	—
t1(E)	60	#4	12'-7"	—
w(E)	40	#5	32'-0"	—
w1(E)	40	#5	38'-7"	—
Concrete Superstructure		Cu. Yd.	87.4	
Concrete Structures		Cu. Yd.	22.1	
Bridge Deck Grooving		Sq. Yd.	186	
Protective Coat		Sq. Yd.	206	
Reinforcement Bars, Epoxy Coated		Pound	22,860	



EFK Moen, LLC
 Civil Engineering Design
 331 Salem Place, Suite 225
 Fairview Heights, IL 62208
 Phone 618-206-4250

PRINT DATE: 9/7/2011 2:18:39 PM z:\100235-1-57 end 113 interchange\p\bridge\p\slabsheets\100235-1-57-011-Appr-Slab-Details.dgn