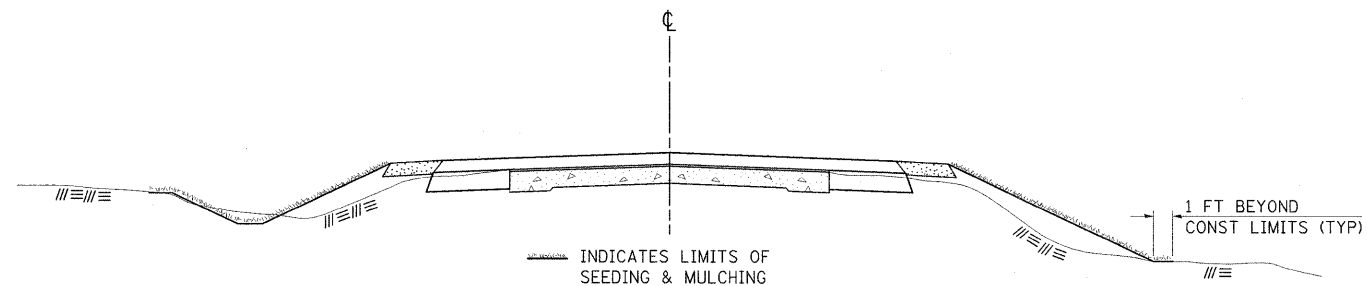


SEEDING & MULCHING



GENERAL NOTES

IN GENERAL, ALL EARTH SURFACES DISTURBED DURING CONSTRUCTION OPERATIONS SHALL BE SEEDING AND MULCHED UPON COMPLETION OF ALL GRADING OPERATIONS.

FERTILIZER NUTRIENTS AND LIMESTONE SHALL BE APPLIED TO ALL SEEDING AREAS.

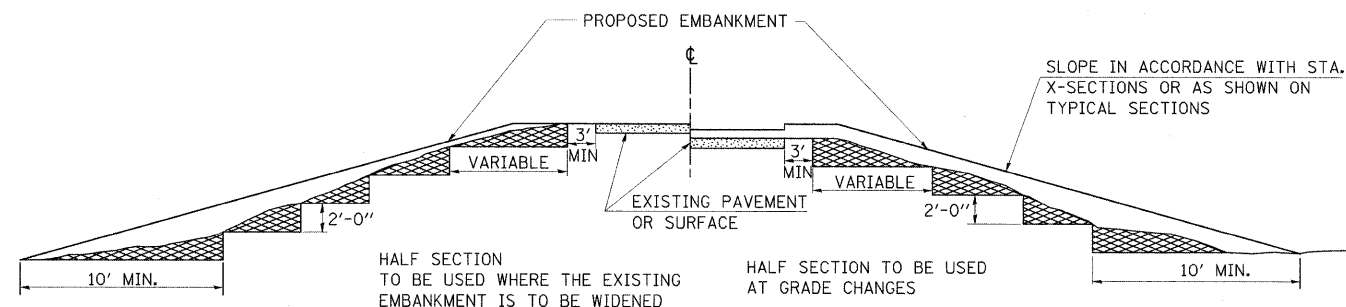
THE RATES OF APPLICATION OF FERTILIZER, MULCH AND LIMESTONE SHALL BE AS SPECIFIED IN THE SPECIAL PROVISIONS.

SECTIONS 250 AND 251 OF THE STANDARD SPECIFICATIONS SHALL GOVERN THIS WORK EXCEPT AS SPECIFIED HEREIN OR AS NOTED IN THE SPECIAL PROVISIONS.

REVISIONS	
REDRAWN	2-15-89
REVISED	8-15-94
REVISED	6-3-99
REVISED	3-27-08

STD. 9-12

TYPICAL CROSS SECTION SHOWING STEP CONSTRUCTION ON EXISTING FILL



HALF SECTION TO BE USED WHERE THE EXISTING EMBANKMENT IS TO BE WIDENED

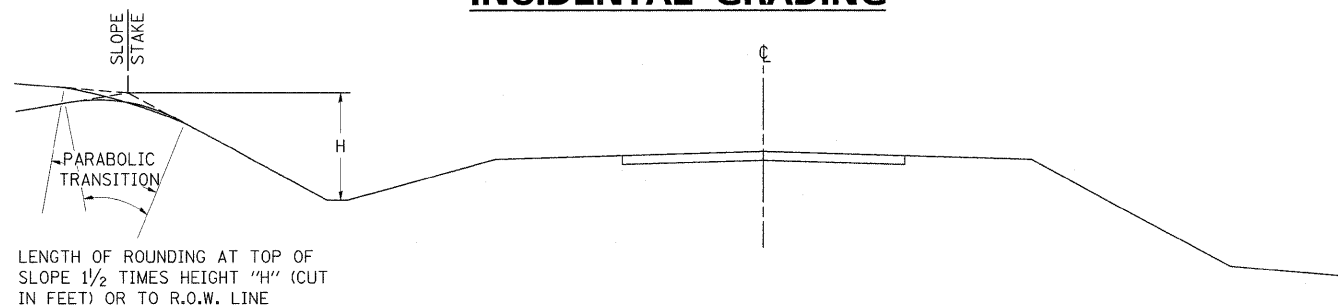
HALF SECTION TO BE USED AT GRADE CHANGES

MATERIAL TO BE REMOVED AND REPLACED IN THE EMBANKMENT IN ACCORDANCE WITH ART. 205.04 OF THE STANDARD SPECIFICATION. COST TO BE INCLUDED IN THE VARIOUS ITEMS OF EXCAVATION AND NO ADDITIONAL COMPENSATION WILL BE ALLOWED BECAUSE OF THIS WORK.

REVISIONS	
REDRAWN	2-15-89
REVISED	8-15-94
CHECKED	6-3-99
RESIZED	5-7-08

STD. 9-16

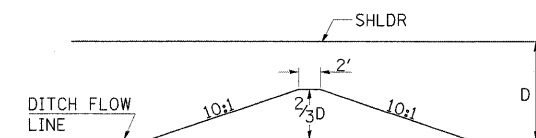
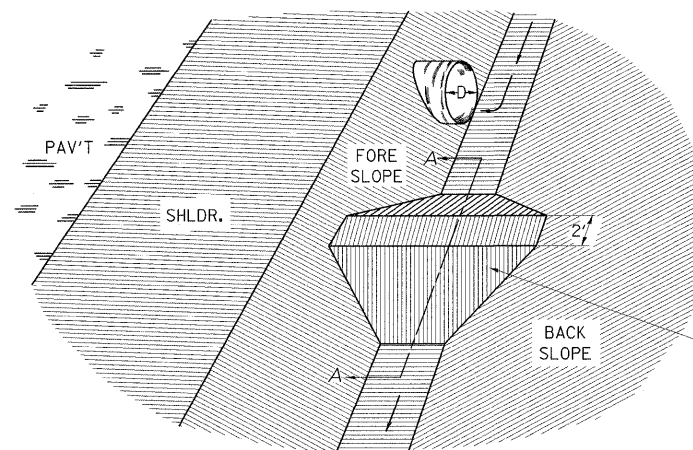
TYPICAL SECTIONS OF TRANSITIONS OF SLOPES AND INCIDENTAL GRADING



SECTION SHOWING TRANSITIONS OF PROPOSED SLOPES

NOTE:

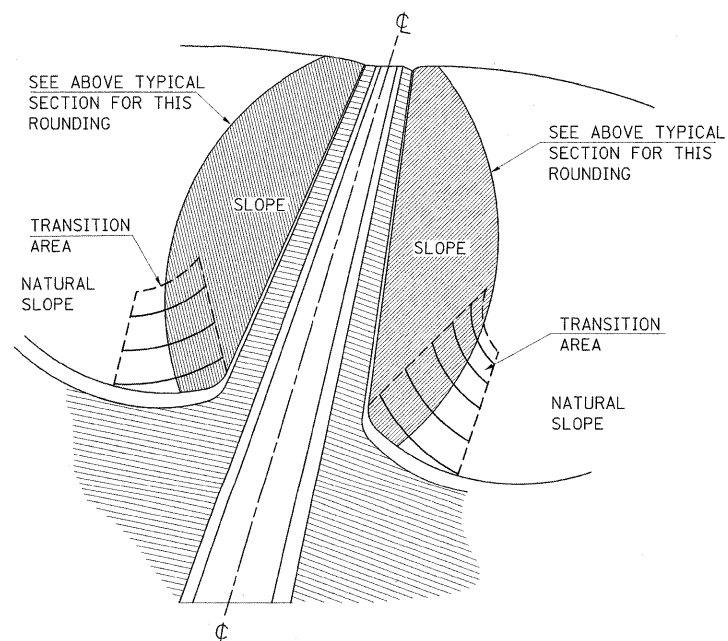
DITCH PLUG TO BE CONSTRUCTED AS DIRECTED BY THE ENGINEER, INCLUDED IN THE EARTH EXCAVATION



SECTION A-A

EARTH DITCH PLUG TO BE CONSTRUCTED AT LOCATIONS SHOWN ON THE PLANS OR AS DIRECTED BY THE ENGINEER, AND TO BE CONSIDERED INCLUDED IN THE EARTH EXCAVATION.

DITCH PLUG DETAIL



DETAIL OF SLOPE TO NATURAL GROUND TRANSITION

TRANSITION GRADING

TRANSITION GRADING BETWEEN CUT AND FILL SLOPES AND BETWEEN CUT SLOPES AND NATURAL GROUND WILL BE REQUIRED ON THIS IMPROVEMENT. THE TRANSITION SHALL BE ROUNDED AND STREAMLINED IN ORDER TO BLEND THE CUT SLOPES AND THE FILL SLOPES INTO EACH OTHER AND INTO THE ADJACENT TERRAIN. THE SLOPES AS SHOWN ON THE CROSS SECTIONS IN THESE PLANS MAY BE VARIED SOMEWHAT IN THE TRANSITION AREAS AS DIRECTED BY THE ENGINEER IN ORDER TO MEET THIS GRADING REQUIREMENT. THE QUANTITIES OF EARTH EXCAVATION INVOLVED ARE INCLUDED IN THE BALANCE QUANTITIES SHOWN ON THE PLANS AND NO OTHER COMPENSATION WILL BE ALLOWED.

REVISIONS	
REDRAWN	2-15-89
RESIZED	5-8-08

STD. 9-17

FILE NAME = ...D976182-sht-details.dgn	USER NAME = Rob Heady	DESIGNED -	REVISED -	STATE OF ILLINOIS DEPARTMENT OF TRANSPORTATION	DISTRICT DETAILS I-57 AND IL ROUTE 13	F.A. RTE.	SECTION	COUNTY	TOTAL SHEETS	SHEET NO.
	PLOT SCALE = 50,0000' / IN.	DRAWN -	REVISED -			* 0X1-6-2HMK-2, HB-1,2; 0X-1R-1	WILLIAMSON	968	718	
	PLOT DATE = 10/7/2011	CHECKED -	REVISED -			* F.A.I. 57 AND F.A.P. 331	CONTRACT NO. 78182			
		DATE = 10/07/11	REVISED -			ILLINOIS FED. AID PROJECT				
				SCALE: N/A	SHEET NO. OF SHEETS	STA. TO STA.				