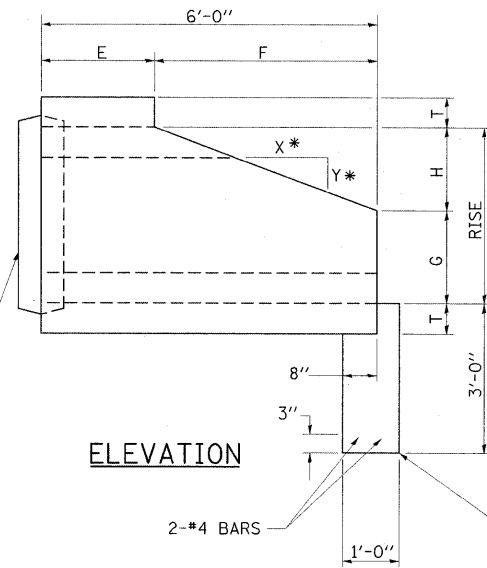


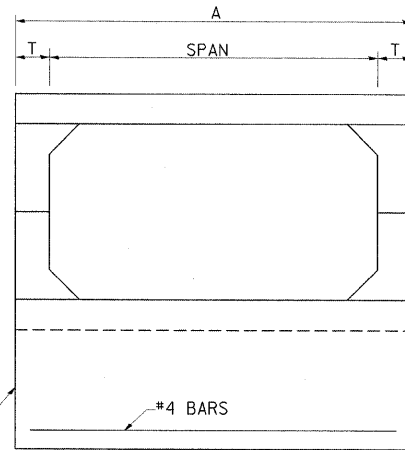
DETAIL OF PRECAST CONCRETE BOX CULVERT END SECTION

DIMENSIONS **

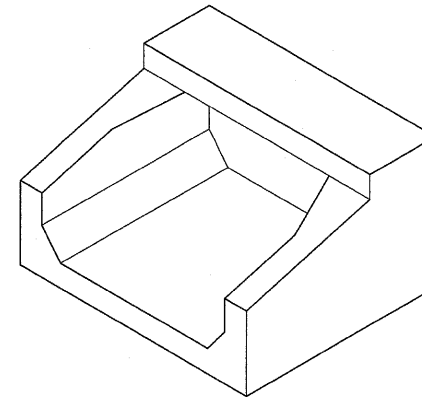
SPAN X RISE	T (INCHES)	A (FT.-IN.)	B (FT.-IN.)	C (INCHES)	E (FT.-IN.)	F (FT.-IN.)	G (FT.-IN.)	H (FT.-IN.)	SLOPE (X:Y)
2' X 2'	4	2-8	2-8	4	3-0	3-0	1-0	1-0	3:1
3' X 2'	4	3-8	2-8	4	3-0	3-0	1-0	1-0	3:1
3' X 3'	4	3-8	3-8	4	2-0	4-0	1-8	1-4	3:1
4' X 2'	5	4-10	2-10	5	3-0	3-0	1-0	1-0	3:1
4' X 3'	5	4-10	3-10	5	2-0	4-0	1-8	1-4	3:1
4' X 4'	5	4-10	4-10	5	2-0	4-0	2-0	2-0	2:1
5' X 2'	6	6-0	3-0	6	3-0	3-0	1-0	1-0	3:1
5' X 3'	6	6-0	4-0	6	2-0	4-0	1-8	1-4	3:1
5' X 4'	6	6-0	5-0	6	2-0	4-0	2-0	2-0	2:1
5' X 5'	6	6-0	6-0	6					
6' X 2'	7	7-2	3-2	7	3-0	3-0	1-0	1-0	3:1
6' X 3'	7	7-2	4-2	7	2-0	4-0	1-8	1-4	3:1
6' X 4'	7	7-2	5-2	7	2-0	4-0	2-0	2-0	2:1
6' X 5'	7	7-2	6-2	7	2-0	4-0	3-0	2-0	2:1
6' X 6'	7	7-2	7-2	7	2-0	4-0	4-0	2-0	2:1
7' X 4'	8	8-4	5-4	8	2-0	4-0	2-0	2-0	2:1
7' X 5'	8	8-4	6-4	8					
7' X 6'	8	8-4	7-4	8					
7' X 7'	8	8-4	8-4	8					
8' X 4'	8	9-4	5-4	8	2-0	4-0	2-0	2-0	2:1
8' X 5'	8	9-4	6-4	8					
8' X 6'	8	9-4	7-4	8					
8' X 7'	8	9-4	8-4	8					
8' X 8'	8	9-4	9-4	8					
9' X 5'	9	10-6	6-6	9					
9' X 6'	9	10-6	7-6	9					
9' X 7'	9	10-6	8-6	9					
9' X 8'	9	10-6	9-6	9					
9' X 9'	9	10-6	10-6	9					
10' X 5'	10	11-8	6-8	10					
10' X 6'	10	11-8	7-8	10					
10' X 7'	10	11-8	8-8	10					
10' X 8'	10	11-8	9-8	10					
10' X 9'	10	11-8	10-8	10					
10' X 10'	10	11-8	11-8	10					
11' X 4'	11	12-10	5-10	11					
11' X 6'	11	12-10	7-10	11					
11' X 8'	11	12-10	9-10	11					
11' X 10'	11	12-10	11-10	11					
11' X 11'	11	12-10	12-10	11					
12' X 4'	12	14-0	6-0	12					
12' X 6'	12	14-0	8-0	12					
12' X 8'	12	14-0	10-0	12					
12' X 10'	12	14-0	12-0	12					
12' X 12'	12	14-0	14-0	12					



ELEVATION

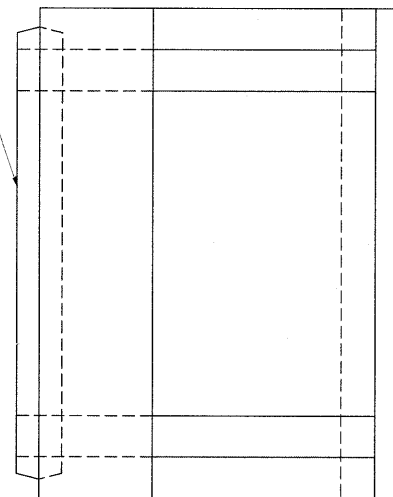


END VIEW

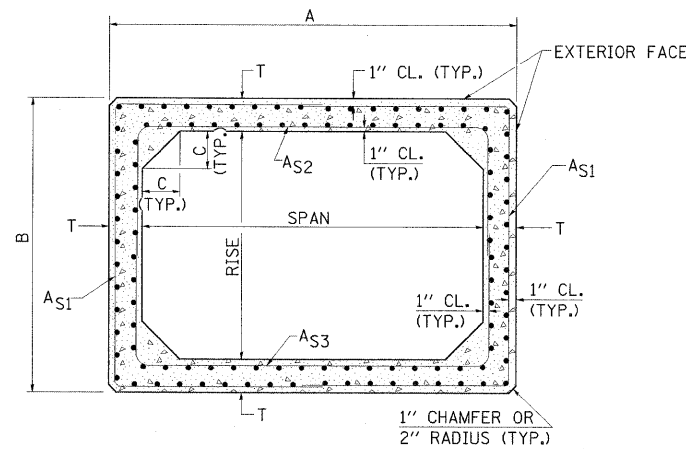


ISOMETRIC

END CONNECTION TO FIT PRECAST BOX CULVERT (BELL OR SPIGOT MAY BE OMITTED WHEN COLLARING TO AN EXISTING BOX OR HEADWALL.)



PLAN



CROSS SECTION

**** NOTE:**

THE DIMENSIONS INDICATED ARE FOR END SECTIONS THAT ARE TO BE USED WITH PRECAST BOX CULVERT SECTIONS DESIGNED FOR 2' OR MORE OF FILL. THE DIMENSIONS MUST BE MODIFIED FOR THE END SECTION TO BE COMPATIBLE WITH PRECAST CULVERT SECTIONS DESIGNED FOR LESS THAN 2' OF FILL.

GENERAL NOTES

SHOP PLANS FOR THE REINFORCEMENT SHALL BE SUBMITTED IN ACCORDANCE WITH THE REQUIREMENTS OF ARTICLE 504.04 OF THE STANDARD SPECIFICATIONS.

MINIMUM CONCRETE STRENGTH SHALL BE 5000 PSI AFTER 28 DAYS.

THE JOINTS OF THE PRECAST BOX SECTIONS SHALL BE SEALED WITH MASTIC IN ACCORDANCE WITH ARTICLE 1055.01 OF THE STANDARD SPECIFICATIONS FOR ROAD AND BRIDGE CONSTRUCTION.

THE TERMS AS1, AS2, & AS3 DENOTE THE REQUIRED STEEL AREAS FOR REINFORCEMENT AS SPECIFIED IN AASHTO M259. REINFORCEMENT SHALL BE WELDED WIRE FABRIC CONFORMING TO AASHTO M55-81.

REVISIONS	
DRAWN	9-8-89
REVISED	3-27-90
REVISED	6-14-94
REVISED	8-16-94
REVISED	01-10-07
RESIZED	5-7-08

FILE NAME = ... \0978182-sht-details.dgn

USER NAME = Rob Heady
PLOT SCALE = 50.0000 ' / IN.
PLOT DATE = 10/7/2011

DESIGNED -
DRAWN -
CHECKED -
DATE - 10/07/11

REVISED -
REVISED -
REVISED -
REVISED -

**STATE OF ILLINOIS
DEPARTMENT OF TRANSPORTATION**

**DISTRICT DETAILS
I-57 AND IL ROUTE 13**

SCALE: N/A SHEET NO. OF SHEETS STA. TO STA.

F.A. RTE.	SECTION	COUNTY	TOTAL SHEETS	SHEET NO.
* 01-6-2H8K-2, HB-1,2; 01-1R-1		WILLIAMSON	968	720
* F.A.I. 57 AND F.A.P. 331			CONTRACT NO. 78182	
ILLINOIS FED. AID PROJECT				