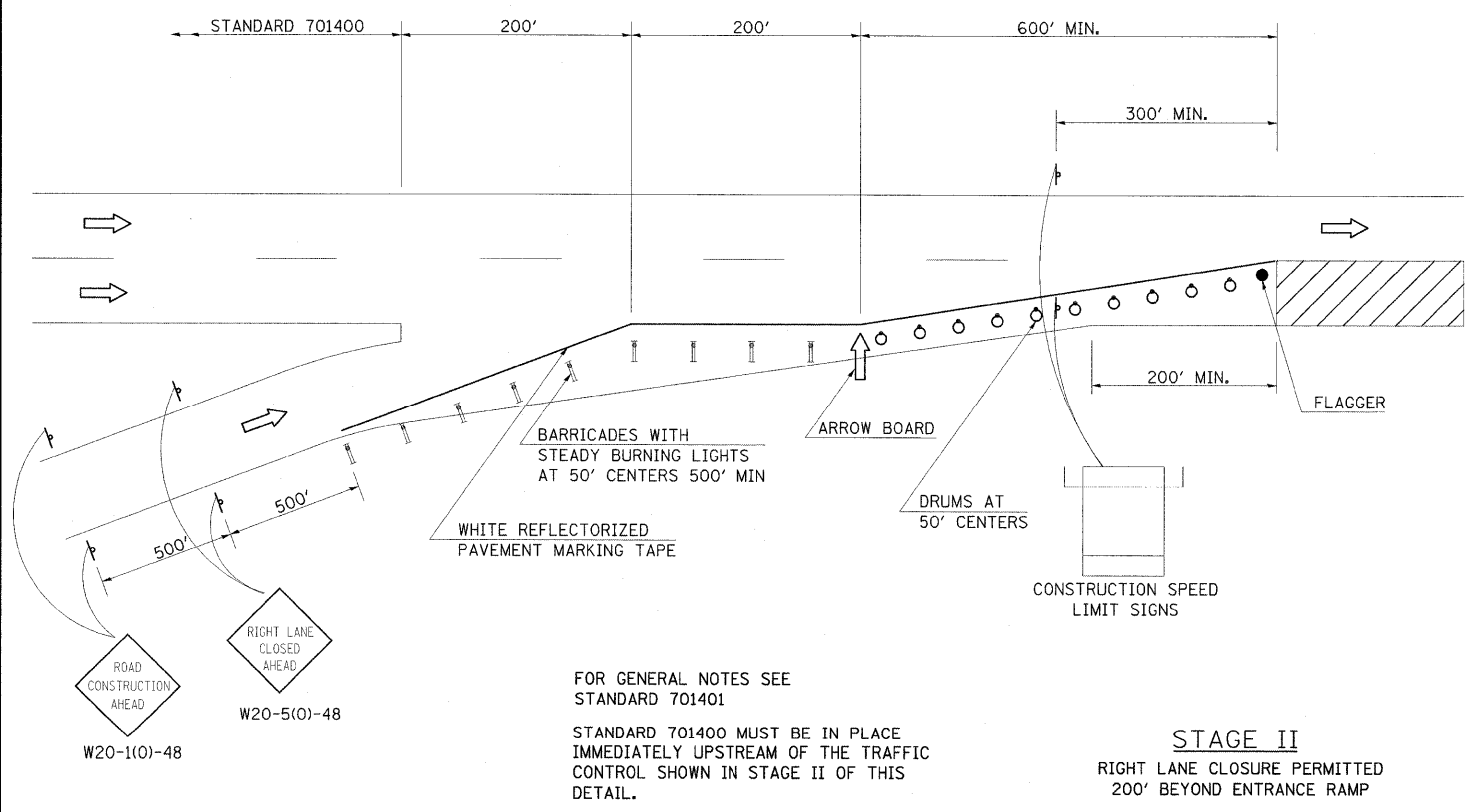
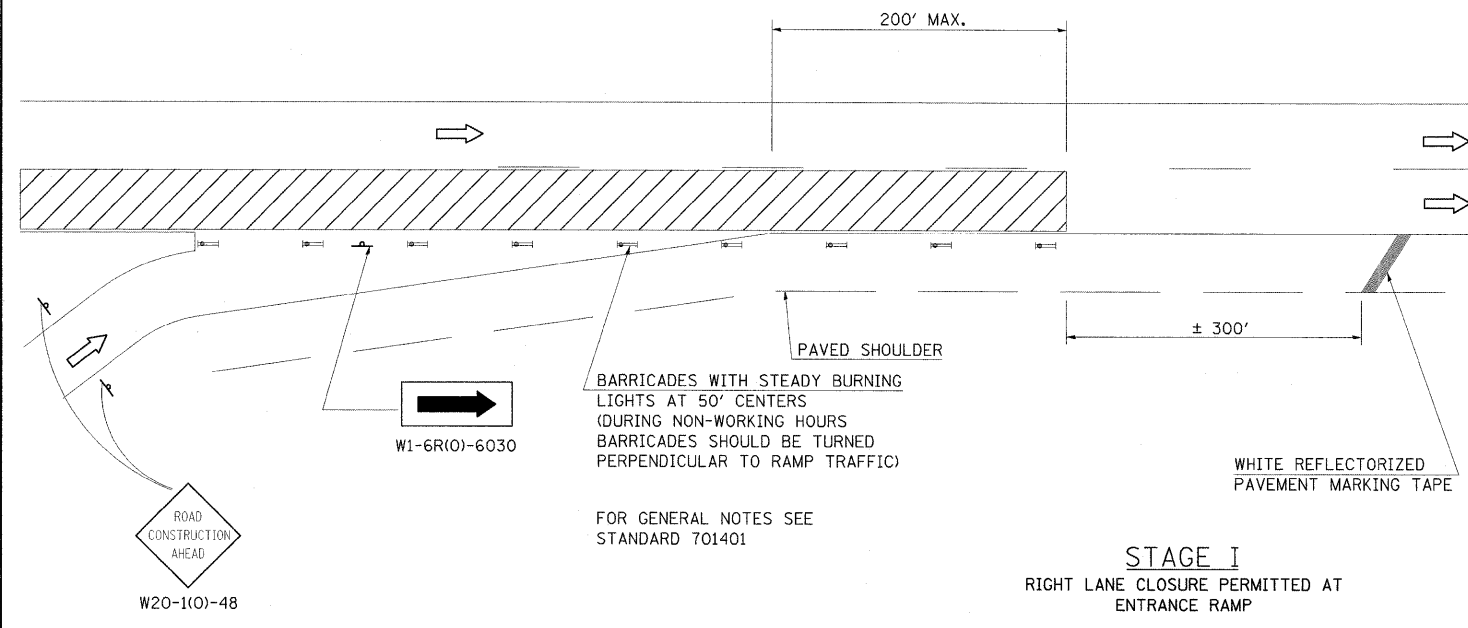


DETAIL OF TRAFFIC CONTROL AT ENTRANCE RAMPS

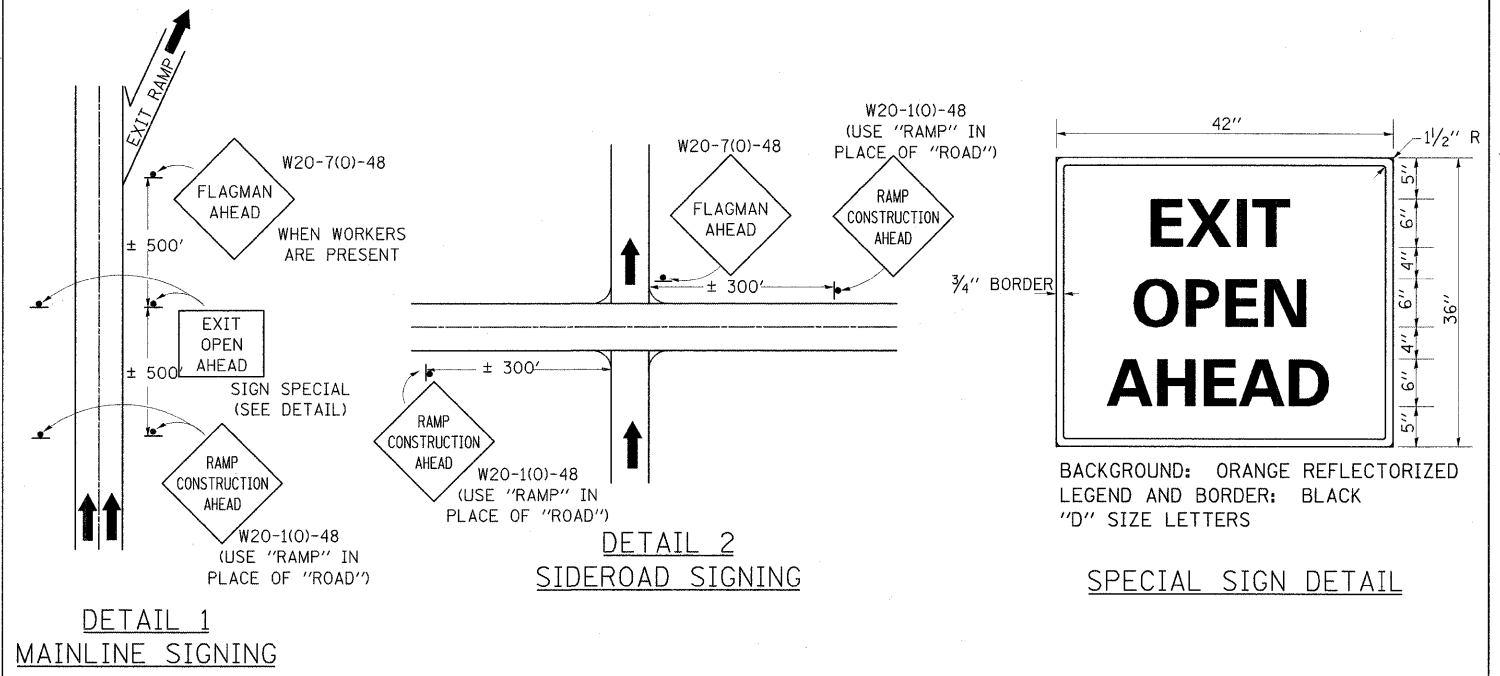


REVISIONS

DRAWN	6-23-89
REVISED	12-17-01
REVISED	3-27-08
REVISED	

STD. 9-43

DETAILS OF SIGNING FOR TRAFFIC CONTROL AT RAMPS

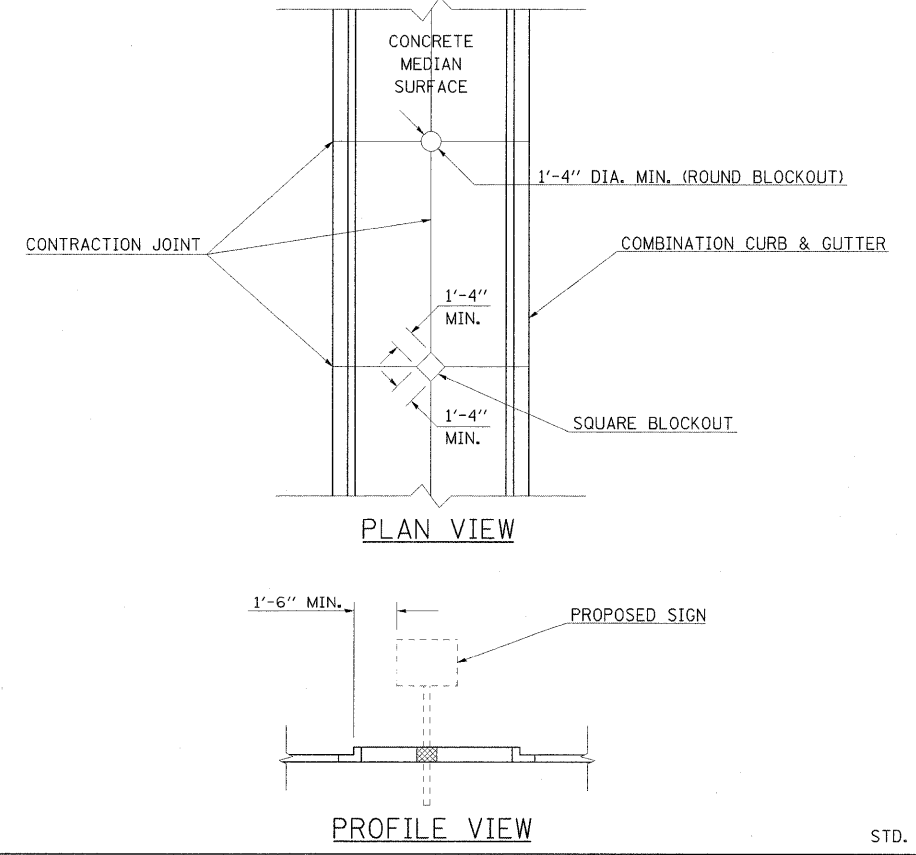


REVISIONS

DRAWN	9-7-90
REVISED	8-22-94
REVISED	5-7-08

STD. 9-82

SIGN POST BLOCKOUT



REVISIONS

DRAWN	4-5-99
REVISED	5-7-08

STD. 9-107

FILE NAME = ...D978182-shr-details.dgn	USER NAME = Rob Heady	DESIGNED -	REVISED -
		DRAWN -	REVISED -
PLOT SCALE = 50,0000 "/ IN.		CHECKED -	REVISED -
PLOT DATE = 10/7/2011		DATE = 10/07/11	REVISED -

STATE OF ILLINOIS
DEPARTMENT OF TRANSPORTATION

DISTRICT DETAILS
I-57 AND IL ROUTE 13

SCALE: N/A	SHEET NO. OF SHEETS	STA. TO STA.
------------	---------------------	--------------

F.A. RTE.	SECTION	COUNTY	TOTAL SHEETS	SHEET NO.
*	(X1-6-2HBR-2, HB-1,2; (X-1R-1	WILLIAMSON	968	723
* F.A.I. 57 AND F.A.P. 331		CONTRACT NO. 78182		
ILLINOIS FED. AID PROJECT				