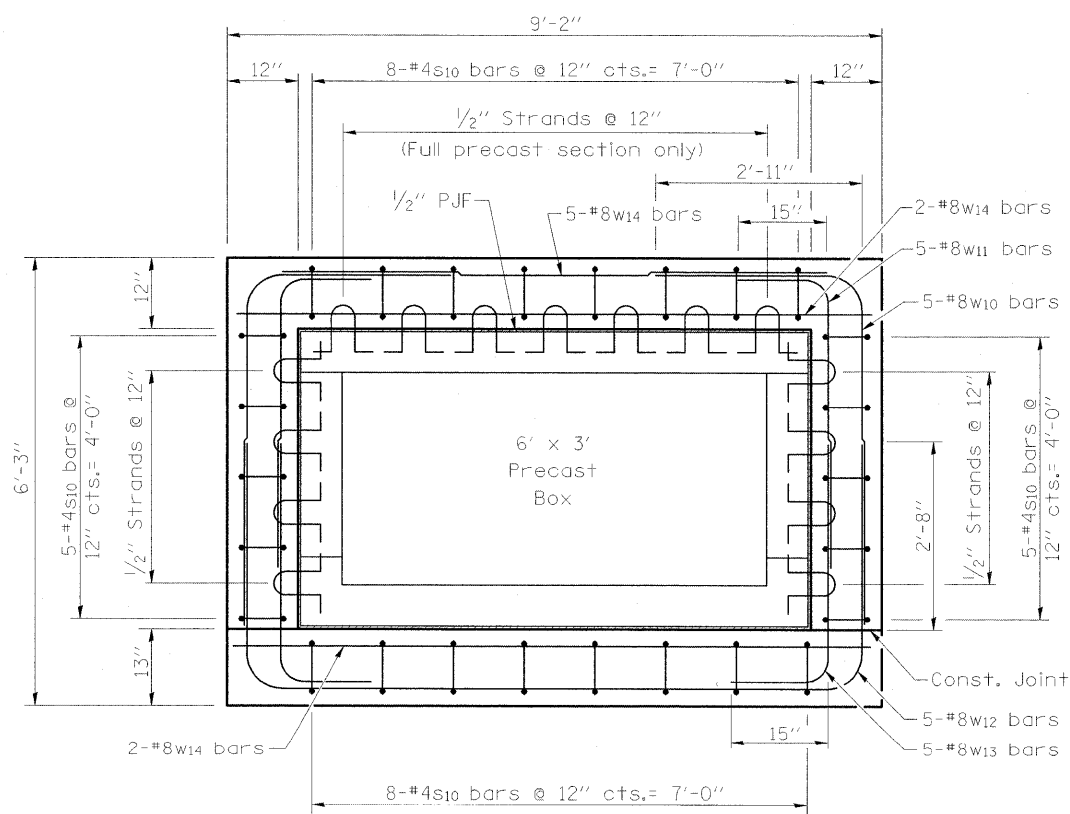
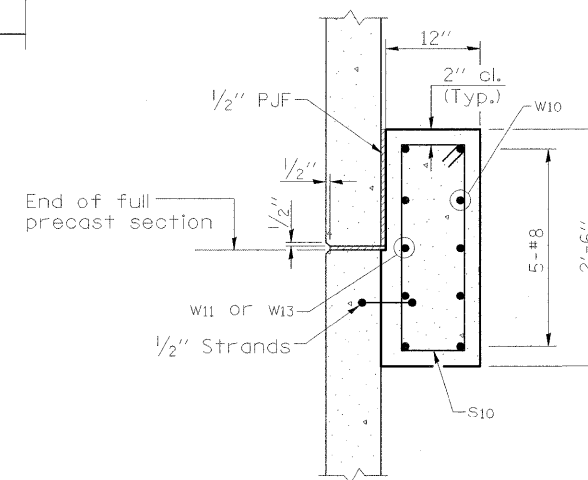


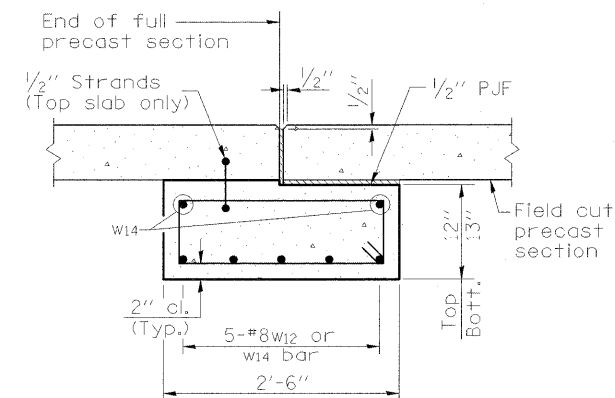
ELEVATION PRECAST SECTION



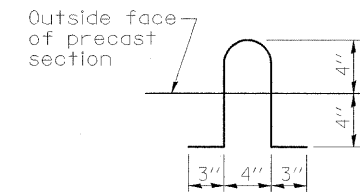
SECTION THRU BOX AT COLLAR



SECTION THRU SIDEWALL

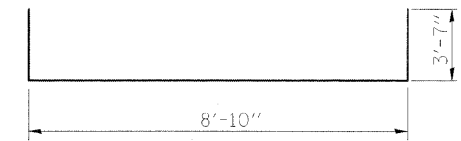


SECTION THRU TOP AND BOTTOM SLAB

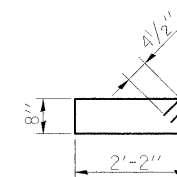


SHEAR STRAND

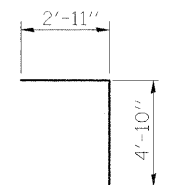
Note: Include shear strands in precast sections at ends adjacent to final, field cut, precast section only.



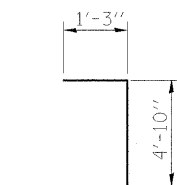
w12 BAR



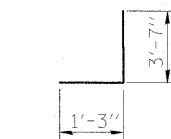
s10 BAR



w10 BAR



w11 BAR



w13 BAR

BILL OF MATERIAL

BAR	NO.	SIZE	LENGTH	SHAPE
s10	52	4	6'-5"	
w10	20	8	7'-9"	
w11	20	8	6'-1"	
w12	10	8	16'-0"	
w13	20	8	4'-10"	
w14	18	8	8'-10"	
Reinforcement Bars			Pound	2,070
Concrete Structures			Cu. Yd.	5.1

Note: 1/2" Preformed joint filler included in cost of Concrete Structures.

FILE NAME = ...ND978182-sht-DET011-6X3COLLAR.dgn	USER NAME = Rob Henry	DESIGNED - BPD	REvised -	STATE OF ILLINOIS DEPARTMENT OF TRANSPORTATION	6' X 3' CONCRETE BOX CULVERT COLLAR I-57 AND IL ROUTE 13			F.A. RTE.	SECTION	COUNTY	TOTAL SHEETS	SHEET NO.
		DRAWN - GLD	REvised -		SCALE: N.T.S.	SHEET NO. OF	SHEETS	STA.	TO STA.	WILLIAMSON	968	737
		CHECKED - BPD	REvised -							* OX1-6-2HKBK-2, HB-12; (IX-DR-1	CONTRACT NO. 78182	
		DATE - 10/07/11	REvised -							* F.A.I. 57 AND F.A.P. 331	ILLINOIS FED. AID PROJECT	