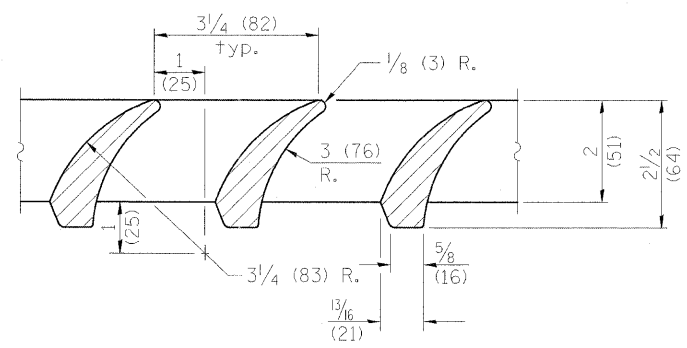


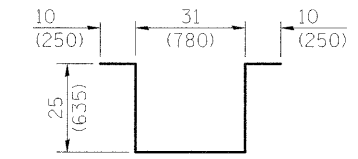
SECTION C-C

DETAIL OF CAST GRATE

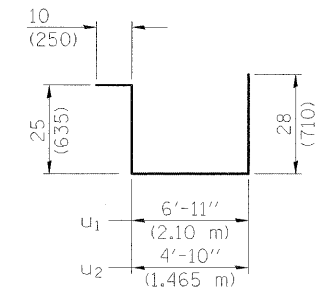
Type C requires 2 grates
Type D requires 3 grates



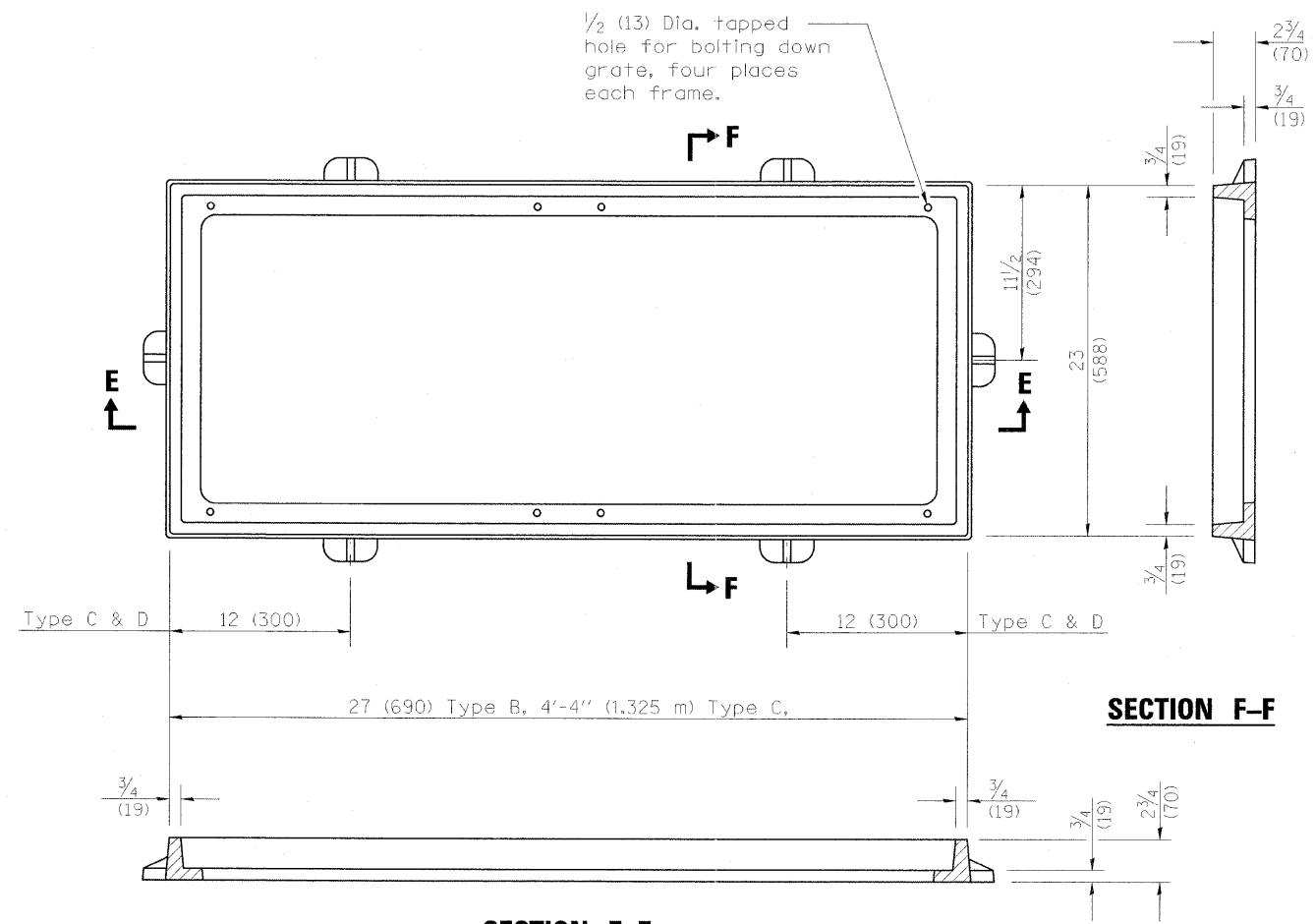
DETAIL B



BAR u



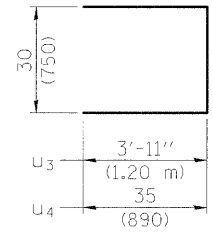
BARS u1 & u2



SECTION E-E

DETAIL OF CAST FRAME
(Type C shown)

SECTION F-F



BARS u3 & u4

INLET BOX

REQUIRED MATERIAL			
TYPE C			
Bar	Qty.	Size	Length
u	6	No. 4 (No.13)	8'-5" (2.550 m)
u2	3	No. 4 (No.13)	10'-1" (3.060 m)
u4	4	No. 4 (No.13)	8'-4" (2.530 m)
Concrete	cu. yds. (m ³)		0.8 (0.6)
Reinf. bars	lbs. (kg)		76 (34.5)
Grating	sq. ft. (m ²)		7.3 (0.68)
TYPE D			
Bar	Qty.	Size	Length
u	8	No. 4 (No.13)	8'-5" (2.550 m)
u1	3	No. 4 (No.13)	12'-2" (3.695 m)
u3	4	No. 4 (No.13)	10'-4" (3.150 m)
Concrete	cu. yds. (m ³)		1.1 (0.8)
Reinf. bars	lbs. (kg)		97.0 (44.0)
Grating	sq. ft. (m ²)		10.9 (1.02)