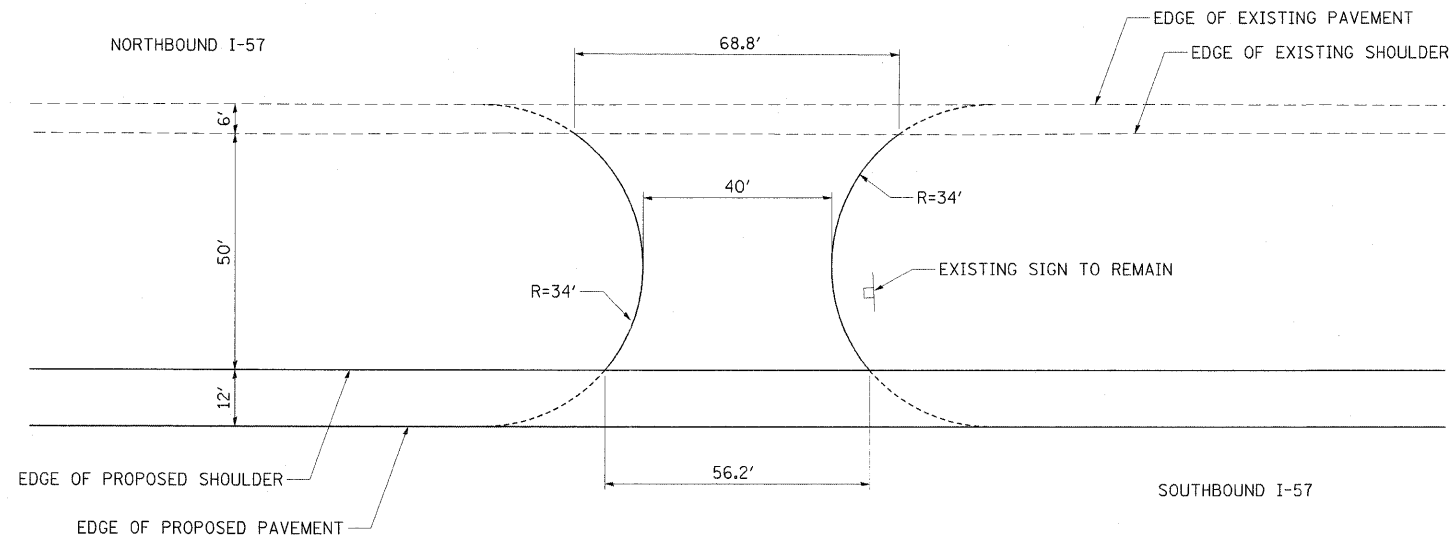
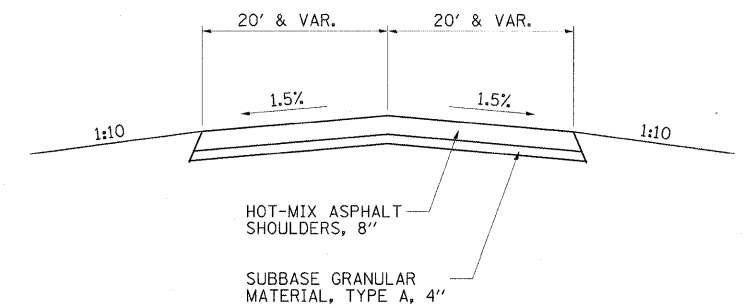


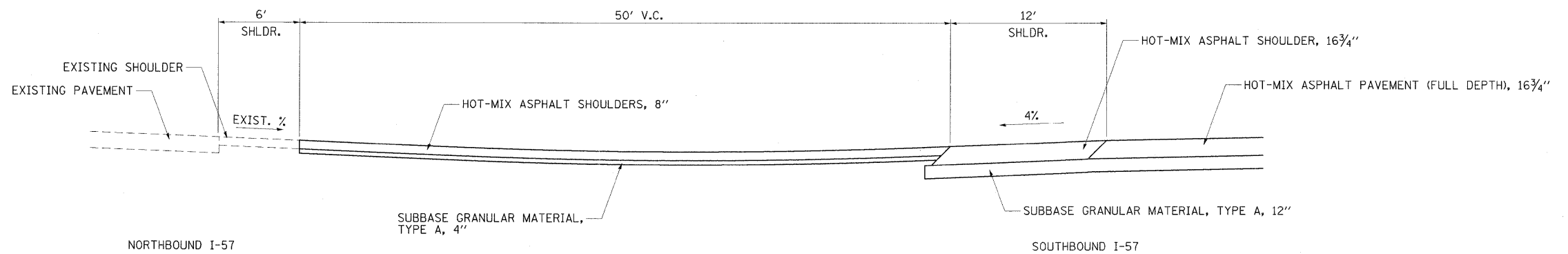
PLAN VIEW



CROSS SECTIONAL VIEW



PROFILE VIEW



FILE NAME =	USER NAME = Rob Heady	DESIGNED - MJO	REVISED -	STATE OF ILLINOIS DEPARTMENT OF TRANSPORTATION	PROPOSED MEDIAN CROSSOVER: STA. 409 + 20	F.A. RTE.	SECTION	COUNTY	TOTAL SHEETS	SHEET NO.
...D978182-sht-DET013.Median Crossover.dgn	PLOT SCALE = 20.0000' / IN.	DRAWN - RAH	REVISED -			* 01-6-2(HBK-2, HB-1,2; 0X-0R-1	WILLIAMSON	968	740	
PLOT DATE = 10/7/2011	DATE - 10/07/11	CHECKED - BJD	REVISED -			* F.A.I. 57 AND F.A.P. 331	CONTRACT NO. 78182	ILLINOIS FED. AID PROJECT		
						SCALE: N.T.S.	SHEET NO. OF SHEETS	STA. TO STA.		