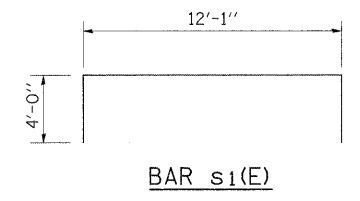
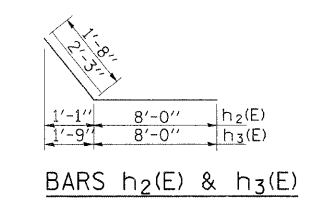
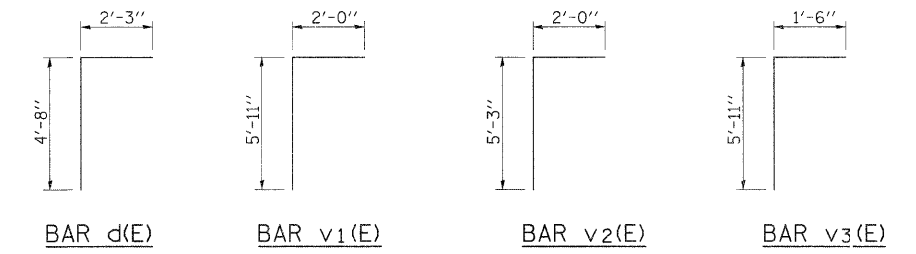
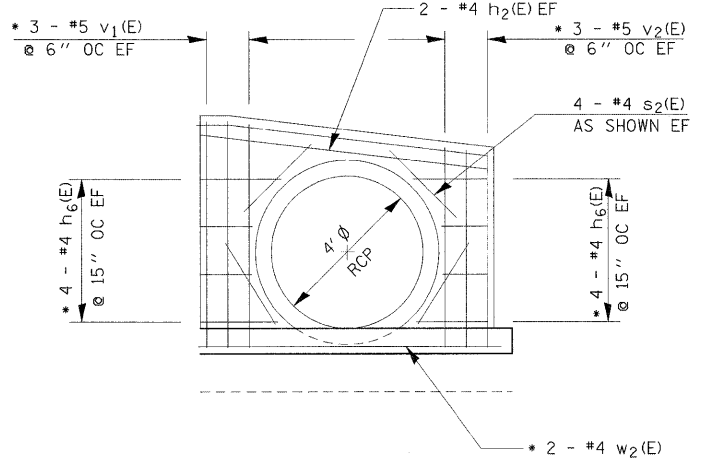
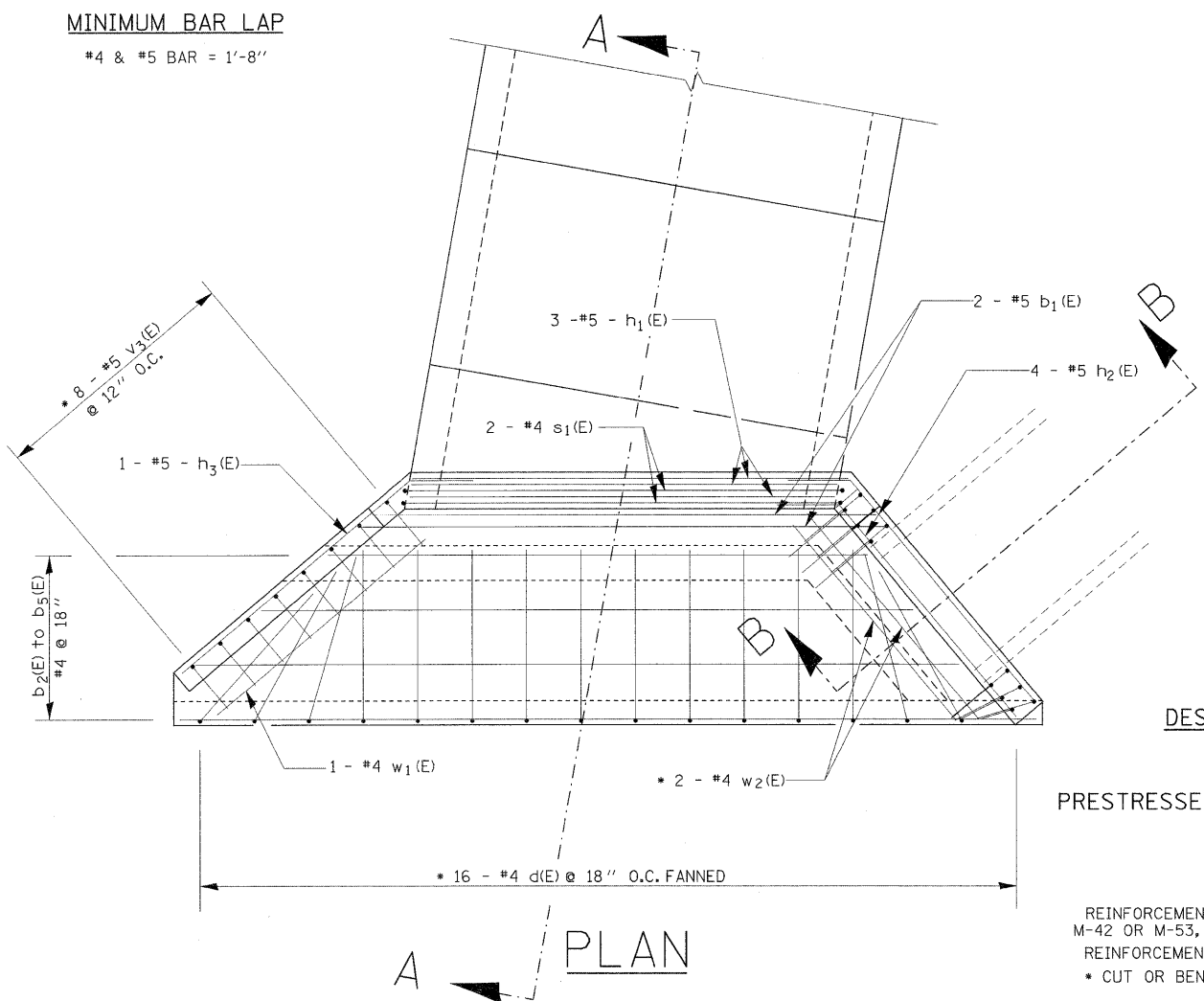


**MINIMUM BAR LAP**  
#4 & #5 BAR = 1'-8"



**DESIGN STRESSES**  
fy = 60,000 psi  
f'c = 3,500 psi

PRESTRESSED BOX LOADING HL 93

**NOTES**

- REINFORCEMENT BARS SHALL CONFORM TO THE REQUIREMENTS OF AASHTO M-31 M-42 OR M-53, GRADE 60.
- REINFORCEMENT BARS DESIGNATED (E) SHALL BE EPOXY COATED.
- CUT OR BEND IN FIELD TO FIT

**BILL OF MATERIAL**

Bar	No.	Size	Length	Shape
b1(E)	5	#5	13'-8"	—
b2(E)	1	#4	14'-9"	—
b3(E)	1	#4	18'-0"	—
b4(E)	1	#4	21'-0"	—
b5(E)	2	#4	23'-6"	—
d(E)	16	#4	6'-11"	┌
h1(E)	3	#5	11'-6"	—
h2(E)	4	#5	9'-8"	—
h3(E)	1	#5	10'-3"	—
h5(E)	5	#4	7'-10"	—
h6(E)	16	#4	2'-2"	—
s1(E)	4	#4	20'-1"	┌
s2(E)	8	#4	2'-6"	—
v1(E)	6	#5	7'-11"	┌
v2(E)	6	#5	7'-3"	┌
v3(E)	8	#5	7'-5"	┌
w1(E)	6	#4	7'-4"	—
CONCRETE BOX CULVERTS				Cu. Yd. 7.6
REINFORCEMENT BARS, EPOXY COATED				Pound 610