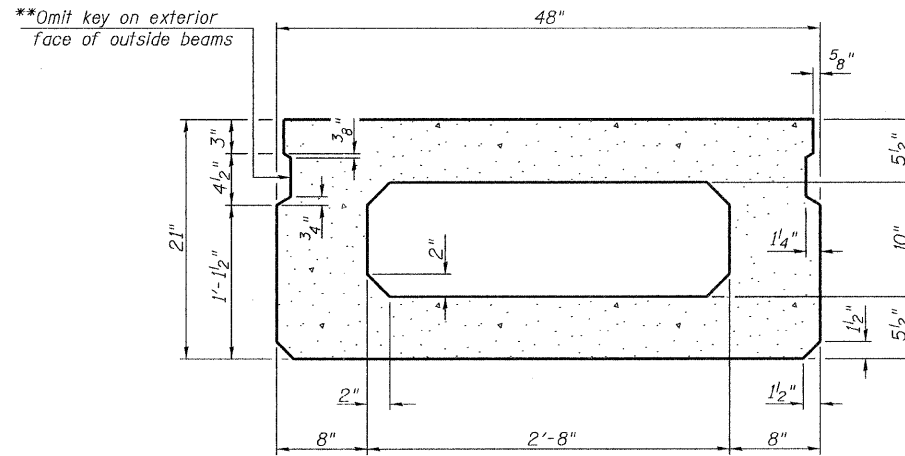
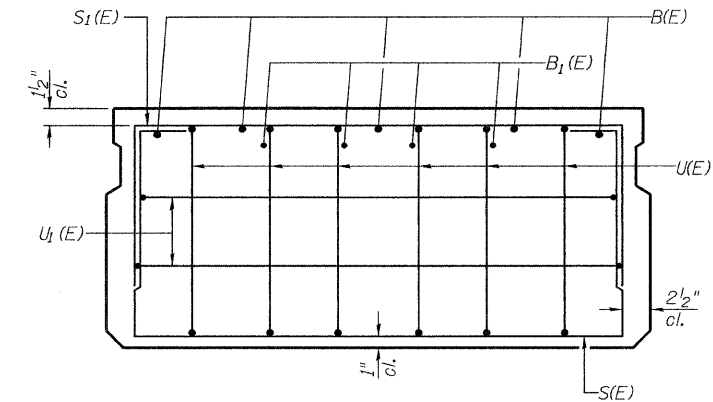


SECTION C-C



SECTION A-A



VIEW B-B

**Omit key on exterior face of outside beams

**Rail post anchor devices (Sheet 4 of 7) to be cast into exterior face of outside beams.

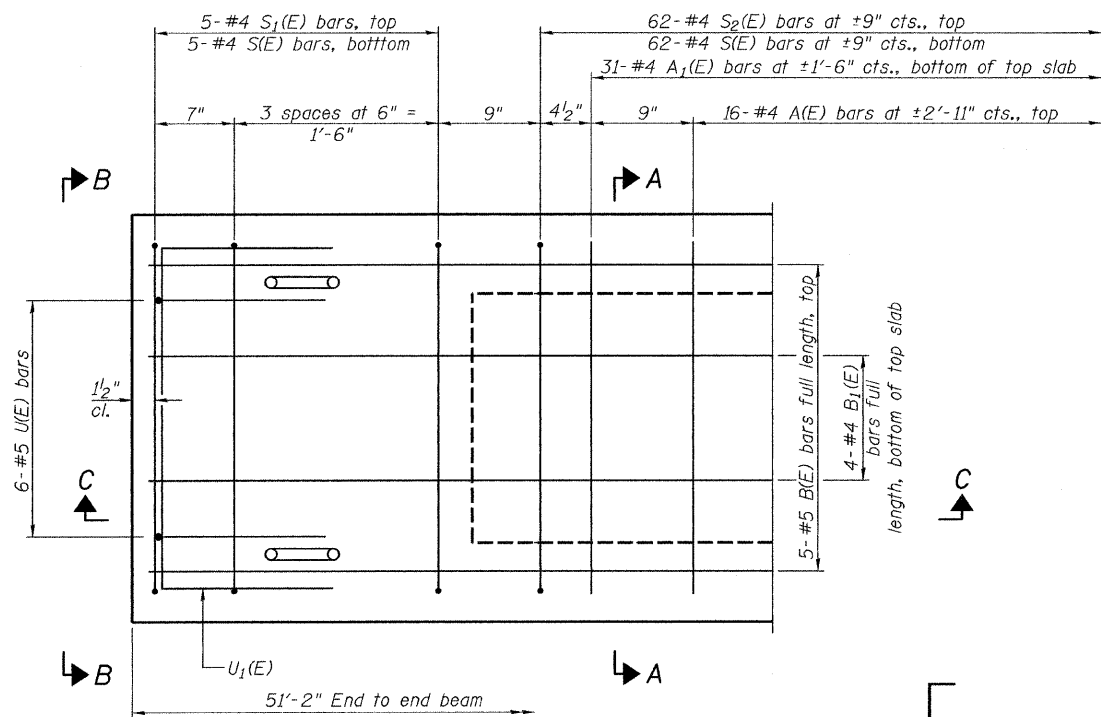
BAR LIST-ONE BEAM ONLY

(For Information Only)

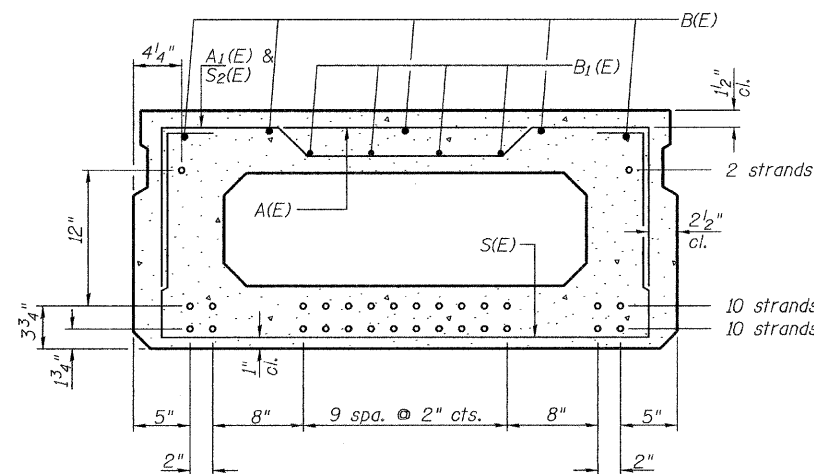
Bar	No.	Size	Length	Shape
A(E)	16	#4	3'-7"	—
A1(E)	31	#4	3'-10"	—
B(E)	5	#5	*50'-11"	—
B1(E)	4	#4	*50'-11"	—
S(E)	72	#4	7'-5"	□
S1(E)	10	#4	5'-11"	□
S2(E)	62	#4	6'-2"	□
U(E)	12	#5	4'-0"	□
U1(E)	4	#4	6'-0"	□

* Total Length, Lap as necessary

Note: See sheet 2 of 7 for additional details and Bill of Material.



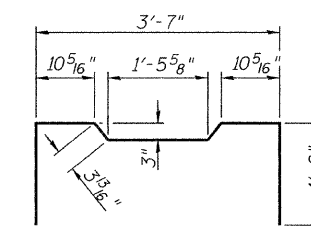
PLAN VIEW



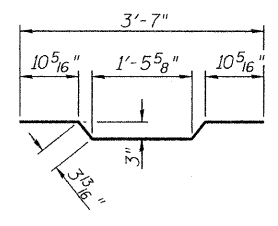
SECTION A-A

22-1/2" Strands Each Strand Stressed to 30,900 Lbs.
10-Strands 1 3/4" up, 10-Strands 3 3/4" up, 2-Strands 1'-3 3/4"

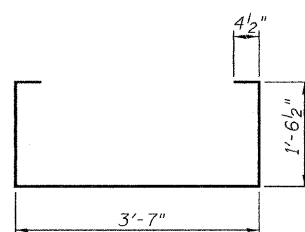
Note: Place the number of strands specified in each row symmetrically about the centerline of beam in the permissible strand locations shown.



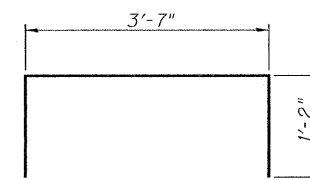
BAR S2(E)



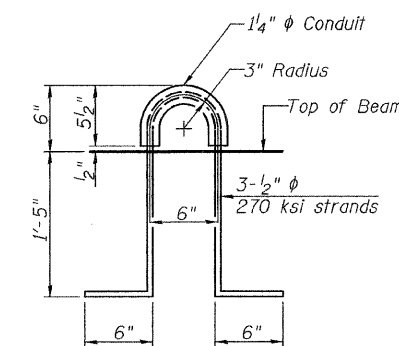
BAR A1(E)



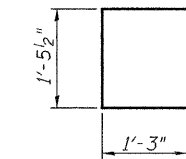
BAR S(E)



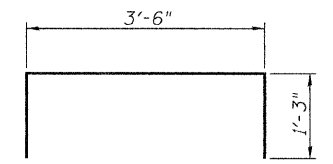
BAR S1(E)



LIFTING LOOP DETAIL



BAR U(E)



BAR U1(E)

Note: Spacing of S(E) and S1(E) bars may be adjusted up to 4" in the immediate area of the transverse tie diaphragms to miss the block outs for the transverse ties.

MINIMUM BAR LAP

#4 bar = 2'-0"
#5 bar = 2'-6"

SUPERSTRUCTURE DETAILS

PIKE COUNTY

SECTION 09-00083-00-BR

C.H. 13 OVER BREWSTER CREEK

SHEET NO. 3 7 SHEETS	ROUTE NO. CH 13	SECTION 09-00083-00-BR	COUNTY PIKE	TOTAL SHEETS 26	SHEET NO. 9
	S.N. 075-3317		CONTRACT NO. 98550		
FED. ROAD DIST. NO. 7 ILLINOIS			FED. AID PROJECT BRS-0597(103)		