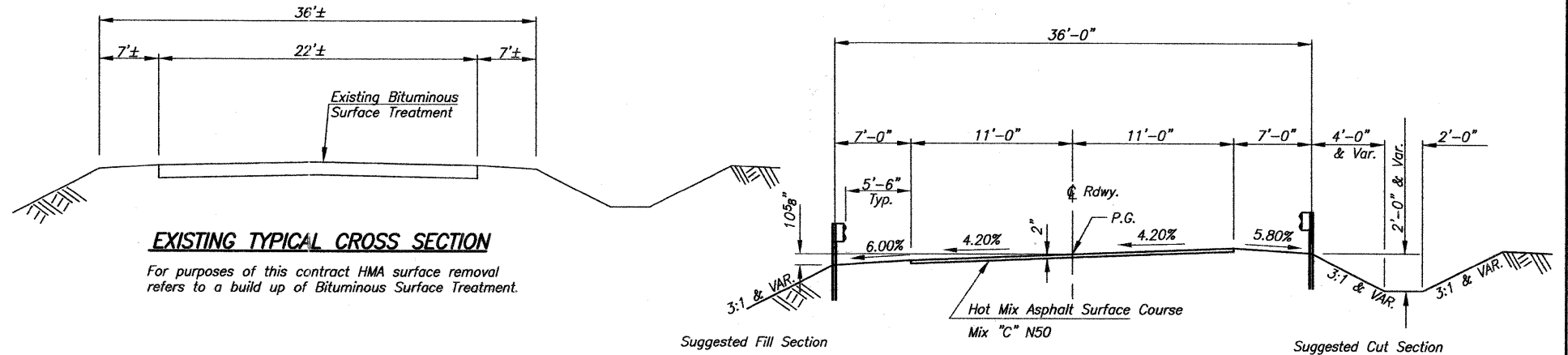


ROUTE NO.	SECTION	COUNTY	TOTAL SHEETS	SHEET NO.
C.H. 9	10-00094-00-BR	MACOUPIN	11	2
FED. ROAD DIST. NO. 7		ILLINOIS	FED. AID PROJECT-	

SUMMARY OF QUANTITIES CONSTRUCTION TYPE CODE 0014			
BRIDGE TYPE: X080			
CODE NO.	ITEM	UNIT	QUANTITY
20200100	EARTH EXCAVATION	CU YD	35
20300100	CHANNEL EXCAVATION	CU YD	200
20400800	* FURNISHED EXCAVATION	CU YD	135
40600100	BITUMINOUS MATERIALS (PRIME COAT)	GALLON	32
40603310	HOT MIX ASPHALT SURFACE COURSE, MIX "C", N50	TON	100
44000157	HOT MIX ASPHALT SURFACE REMOVAL, 2"	SQ YD	318
50101500	REMOVAL OF EXISTING SUPERSTRUCTURES	EACH	1
50400505	PRECAST PRESTRESSED CONCRETE DECK BEAMS, (27" DEPTH)	SQ FT	4,950
50900205	△ STEEL RAILING, TYPE S1	FOOT	302
51500100	NAME PLATES	EACH	1
58100200	WATERPROOFING MEMBRANE SYSTEM	SQ YD	551
58300100	PORTLAND CEMENT MORTAR FAIRING COURSE	FOOT	100
63100075	△ TRAFFIC BARRIER TERMINAL, TYPE 5A	EACH	4
63100167	△ TRAFFIC BARRIER TERMINAL, TYPE 1 (SPECIAL) TANGENT	EACH	4
67100100	MOBILIZATION	L SUM	1
70101830	* TRAFFIC CONTROL AND PROTECTION, STANDARD BLR 21	L SUM	1
78201000	△ TERMINAL MARKER-DIRECT APPLIED	EACH	4
Z0001900	* ASBESTOS BEARING PAD REMOVAL	EACH	33
Z0012754	* STRUCTURAL REPAIR OF CONCRETE (DEPTH EQUAL TO OR LESS THAN 5 INCHES)	SQ FT	168
X2501000	* SEEDING CLASS 2 (SPECIAL)	ACRE	0.2
X2810208	* STONE RIPRAP, CLASS A4 (SPECIAL)	TON	386

* SEE SPECIAL PROVISIONS
△ SPECIALTY ITEMS



EXISTING TYPICAL CROSS SECTION

For purposes of this contract HMA surface removal refers to a build up of Bituminous Surface Treatment.

APPLICATION RATES USED IN QUANTITY CALCULATIONS

BITUMINOUS MATERIALS (PRIME COAT)	0.10 GALLON/SQ. YD.
HOT MIX ASPHALT (BINDER AND SURFACE COURSE)	112 LBS./SQ. YD./INCH
STONE RIPRAP	1.50 TON/CU. YD.

BITUMINOUS CONCRETE MIXTURE REQUIREMENTS			
ITEM	ASPHALT GRADE	AGGREGATE COMPOSITION	VOIDS
HMA SURFACE COURSE (Mix "C") N50	PG 64-22	IL 9.5 or 12.5	4.0% @ N50 DESIGN

Road Classification: Major Collector(Non-Urban) ADT 0-400
Current ADT 250

PROPOSED TYPICAL CROSS SECTION

Sta. 525+50 to Sta. 525+81.7

Transition from the proposed roadway to the existing roadway to be constructed from Sta. 525+00 to 525+50 and from Sta. 527+31.7 to 527+80.

GUARD RAIL SCHEDULE

TRAFFIC BARRIER TERMINAL, TY. 5A		TRAFFIC BARRIER TERMINAL, TY.1 SPECIAL (TANGENT)	
LT. STA. 525+78.16 TO 525+91.41	= 1 EACH	LT. STA. 525+28.16 TO 525+78.16	= 1 EACH
RT. STA. 525+58.52 TO 525+71.77	= 1 EACH	RT. STA. 525+08.52 TO 525+58.52	= 1 EACH
LT. STA. 527+41.58 TO 527+54.83	= 1 EACH	LT. STA. 527+54.83 TO 528+04.83	= 1 EACH
RT. STA. 527+21.94 TO 527+35.19	= 1 EACH	RT. STA. 527+35.19 TO 527+85.19	= 1 EACH
TOTAL = 4 EACH		TOTAL = 4 EACH	

GENERAL NOTES

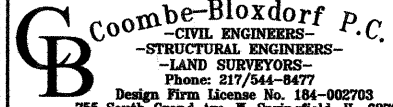
WHERE SECTION AND SUBSECTION MONUMENTS ARE ENCOUNTERED, THE ENGINEER SHALL BE NOTIFIED BEFORE SUCH MONUMENTS ARE REMOVED. THE CONTRACTOR SHALL PROTECT AND CAREFULLY PRESERVE ALL PROPERTY MARKS AND MONUMENTS UNTIL THE OWNER, AN AUTHORIZED SURVEYOR OR AGENT HAS WITNESSED OR OTHERWISE REFERENCED THEIR LOCATION.

THE AREA TO BE SEEDDED SHALL CONSIST OF ALL DISTURBED EARTH SURFACES WITHIN THE RIGHT OF WAY AND EASEMENTS AS DIRECTED BY THE ENGINEER.

SEEDING, CLASS 2 (SPECIAL) = 0.2 ACRES

THE COST OF REMOVAL OF ANY OBSTRUCTIONS OR CULVERTS NOT OTHERWISE INCLUDED IN REMOVAL OF EXISTING STRUCTURES WHICH INTERFERE WITH CONSTRUCTION WILL BE CONSIDERED INCIDENTAL TO THE COST OF EARTH EXCAVATION.

ALL PLAN ELEVATIONS REPRESENT USGS DATUM.

SHEET TITLE SUMMARY OF QUANTITIES & TYPICAL CROSS SECTION		PROJECT NO. 10017
PROJECT SECTION 10-00094-00-BR F.A.S. ROUTE 1737 / C.H. 9 MACOUPIN COUNTY STA. 526+56.08		DATE 8/26/2011
DRAWN BY MRL		CHECKED BY MCB
 Coombe-Bloxdorf P.C. CIVIL ENGINEERS- STRUCTURAL ENGINEERS- LAND SURVEYORS- Phone: 217/544-8477 Design Firm License No. 184-002703 755 South Grand Ave. W. Springfield, IL 62704		SHEET NO. 2
		OF 11 SHTS