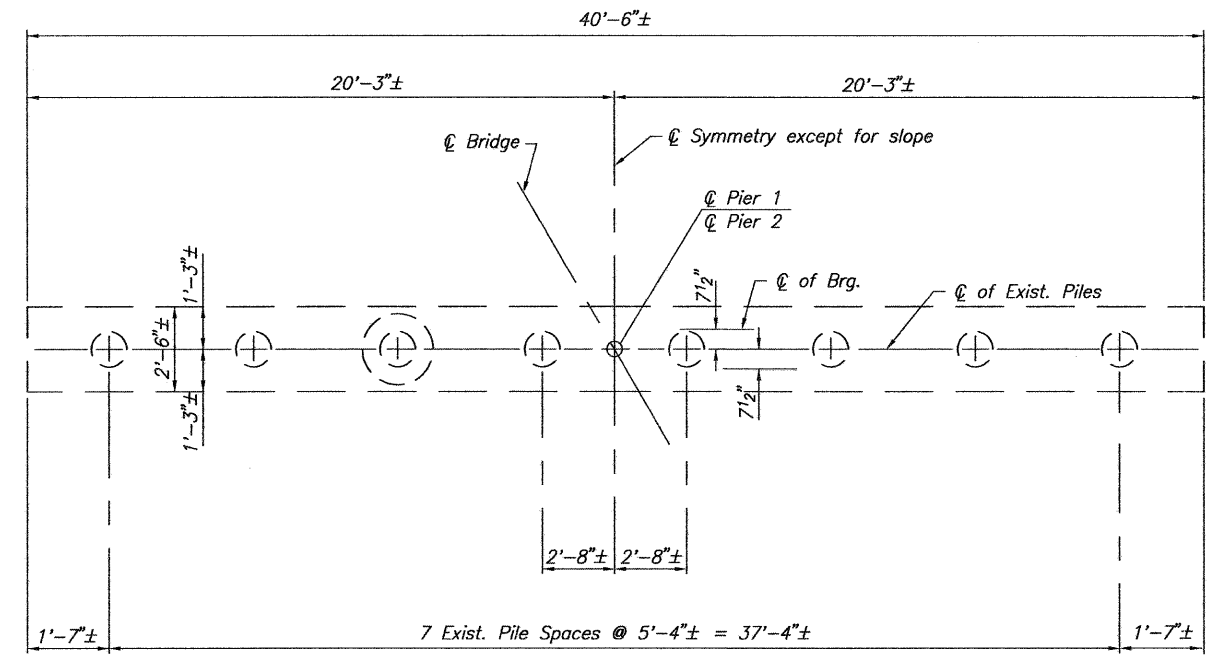
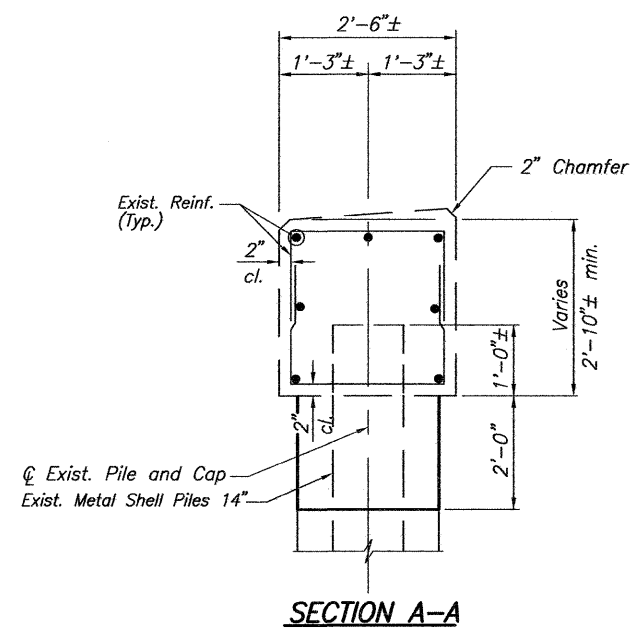


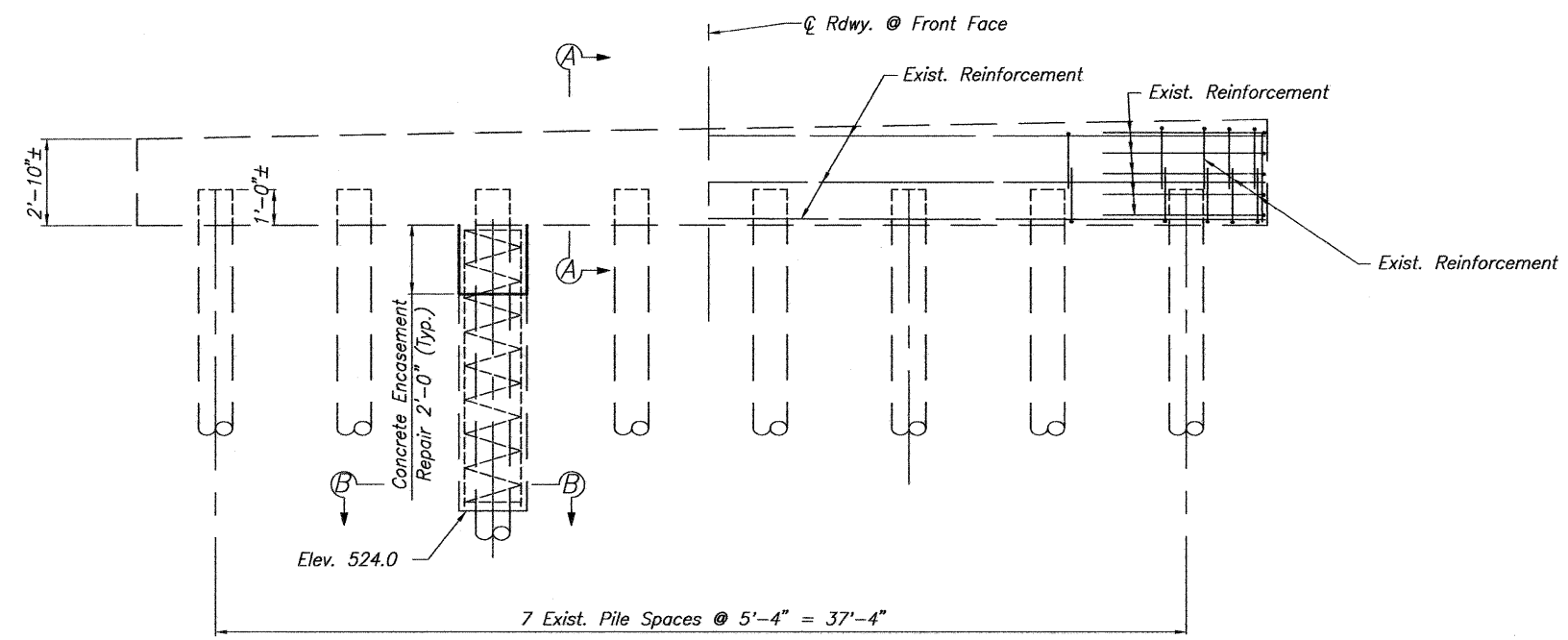
ROUTE NO.	SECTION	COUNTY	TOTAL SHEETS	SHEET NO.
C.H. 9	10-00094-00-BR	MACOUPIN	11	9
FED. ROAD DIST. NO. 7		ILLINOIS	FED. AID PROJECT-	



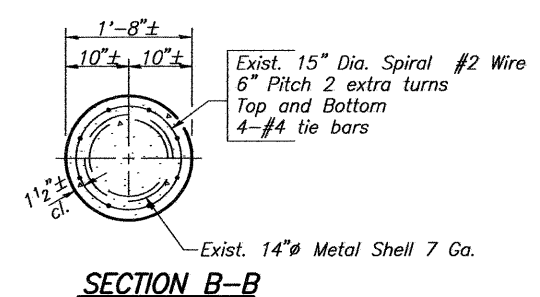
PLAN



SECTION A-A



ELEVATION



SECTION B-B

NOTES

All reinforcement, elevations, pile data and dimensions are information from existing plans.
 The Contractor shall field verify existing dimensions and details affecting new construction and make necessary approved adjustments prior to construction or ordering of materials. Such variations shall not be cause for additional compensation for a change in the scope of the work, however, the Contractor will be paid for the quantity actually furnished at the unit price bid for the work.
 Any reinforcement bars that are damaged during concrete repair operations shall be repaired or replaced using an approved bar splicer or anchorage system. Cost included in Structural Repair of Concrete (Depth equal to or less than 5").

BILL OF MATERIAL - 2 PIERS

Asbestos Bearing Pad Removal (Pier #1 - East side only)	Each	11
Structural Repair of Concrete (Depth equal to or less than 5")	Sq. Ft.	168

EXISTING PILE DATA

Type	Metal Shell Pile 14"Ø
No. Req'd (2 Abuts.)	16*
Design Capacity	35 Tons/Pile
Est. Length	46 Feet/Pile (Pier #1) 54 Feet/Pile (Pier #2)

*Includes two metal shell test piles.

PIER REPAIR DETAILS

PROJECT: SECTION 10-00094-00-BR
 F.A.S. ROUTE 1737/C.H. 9
 MACOUPIN COUNTY
 STA. 526+56.08

PROJECT NO. 10017
 SCALE
 DATE 8/26/2011
 DRAWN BY MRL
 CHECKED BY MCB
 DRAWING NO. 9

Coombe-Bloxdorf P.C.
 CIVIL ENGINEERS-
 STRUCTURAL ENGINEERS-
 LAND SURVEYORS-
 Phone: 217/544-8477
 Design Firm License No. 184-002703
 755 South Grand Ave. W. Springfield, IL 62704

OF 11 SHTS