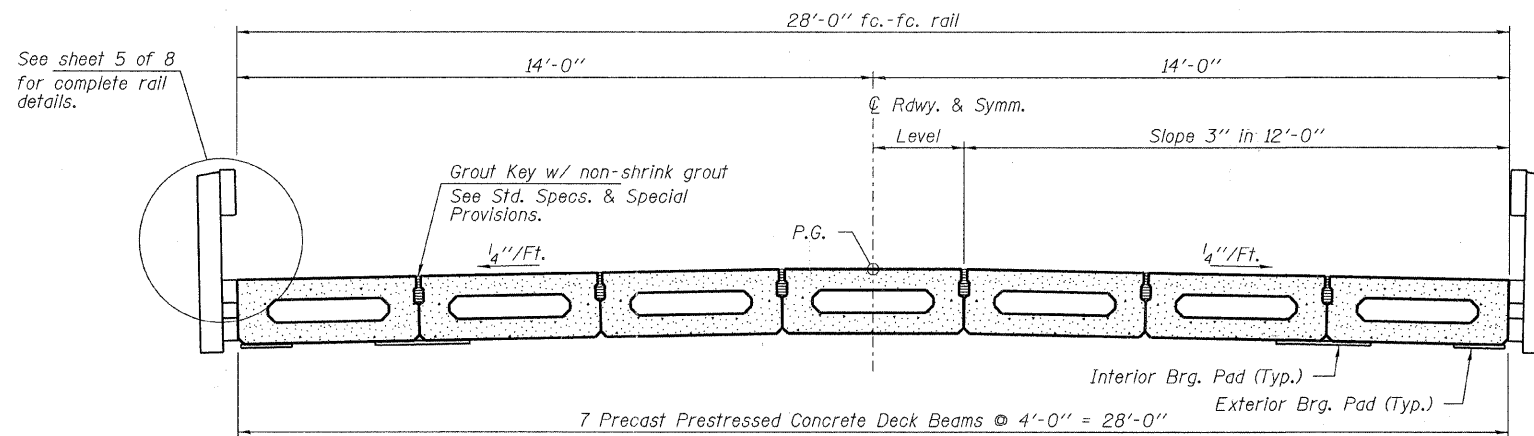
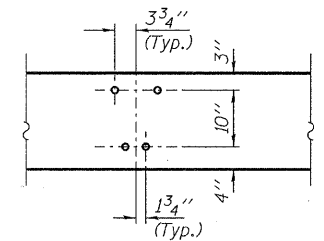


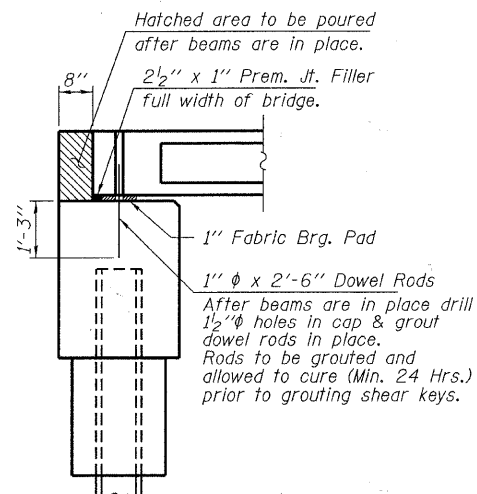
ELEVATION
Showing Rail Post Spacing
See sheet 5 of 8 for Railing Details.



CROSS SECTION
See sheets 2 & 3 of 8 for Superstructure.



DETAIL A



SECTION AT ABUTMENTS

© Rf. L's

FILE NAME = 1000798-shr-bridge.dgn	USER NAME =	DESIGNED - A.S.L.	REVISED -	STATE OF ILLINOIS EFFINGHAM COUNTY HIGHWAY DEPARTMENT	SUPERSTRUCTURE DETAILS STRUCTURE NO. 025-3323	T.R.	SECTION	COUNTY	TOTAL SHEETS	SHEET NO.
HAMPTON, LENZINI AND RENWICK, INC. 3008 STEVENSON DRIVE, SUITE 201 SPRINGFIELD, ILLINOIS 62703	PLOT SCALE =	CHECKED - S.W.M.	REVISED -			266	10-13112-00-BR	EFFINGHAM	21	17
ILR ILLINOIS PROFESSIONAL DESIGN FIRM L8 / P8 / SE. CGRP. 184-000888	PLOT DATE = 10/27/2011	DRAWN - D.A.B.	REVISED -			UNION ROAD DISTRICT		CONTRACT NO. 95669		
		CHECKED - S.W.M.	REVISED -			ILLINOIS FED. AID PROJECT				
						SHEET NO. 4 OF 8 SHEETS				