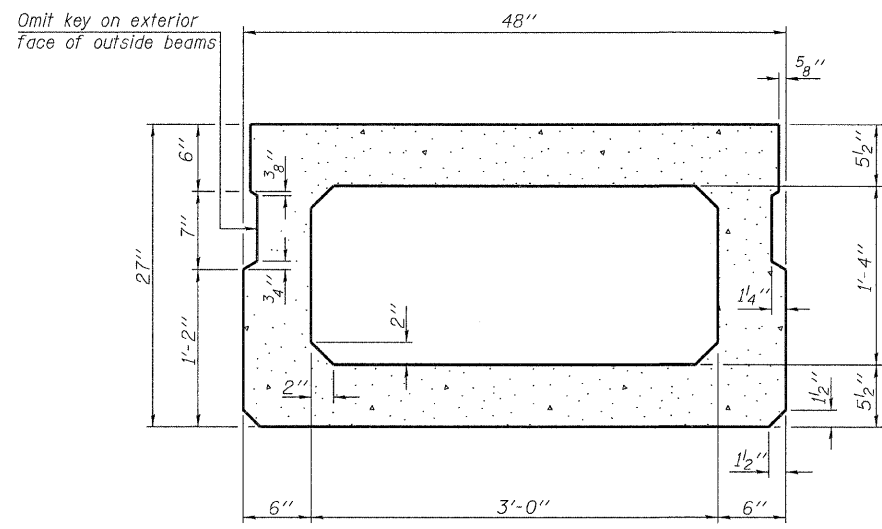
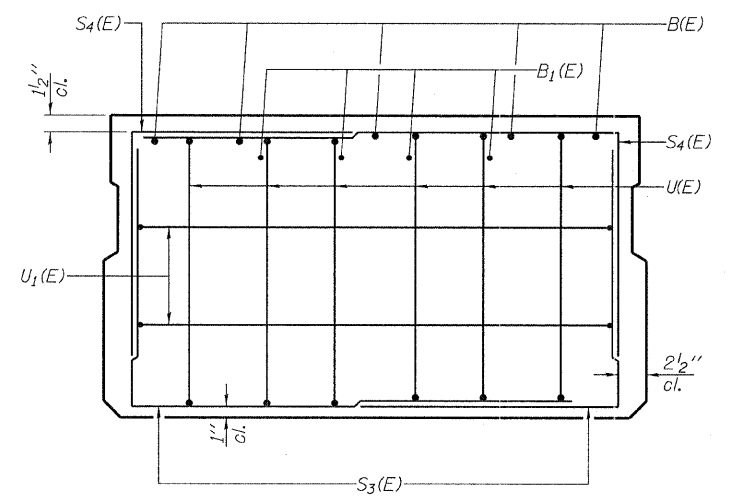


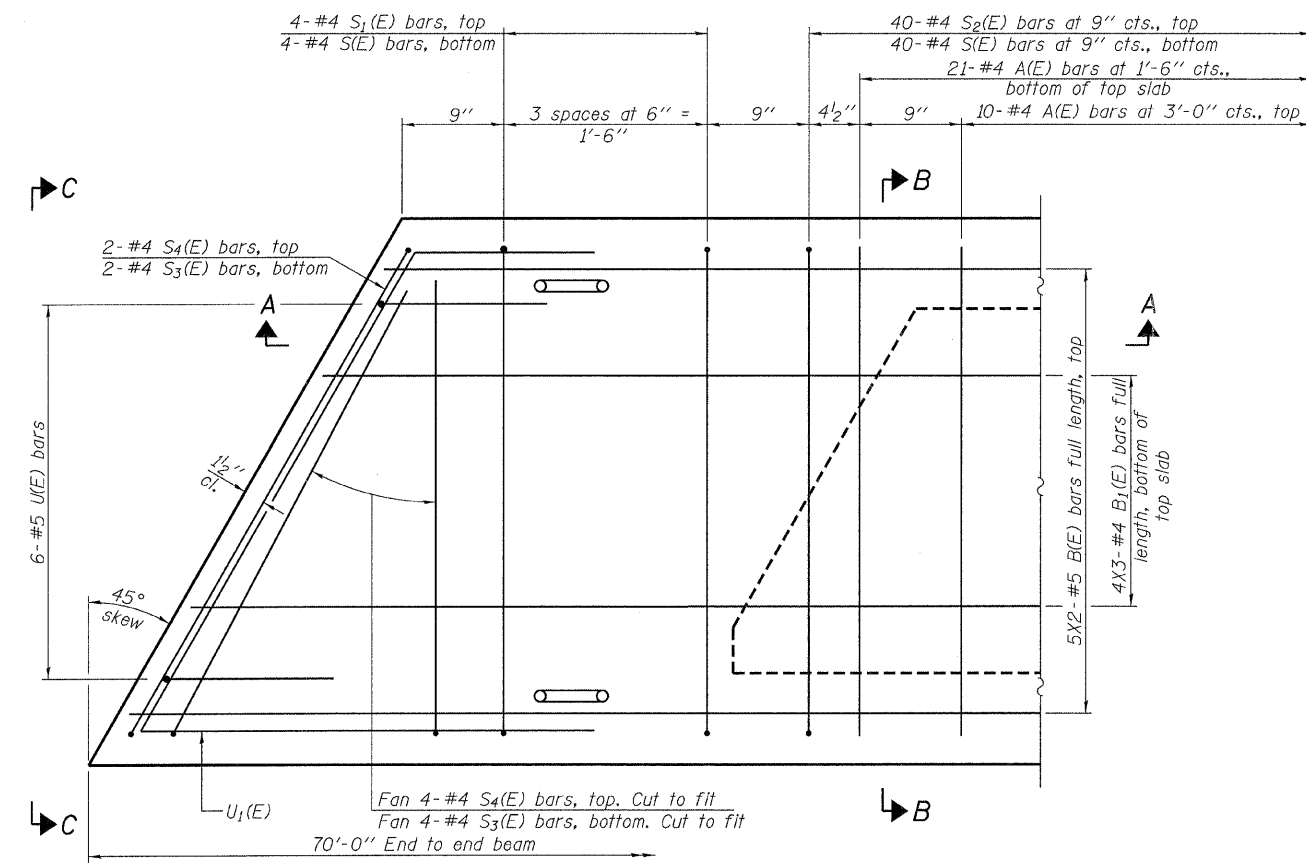
SECTION A-A



SECTION B-B  
(Showing dimensions)

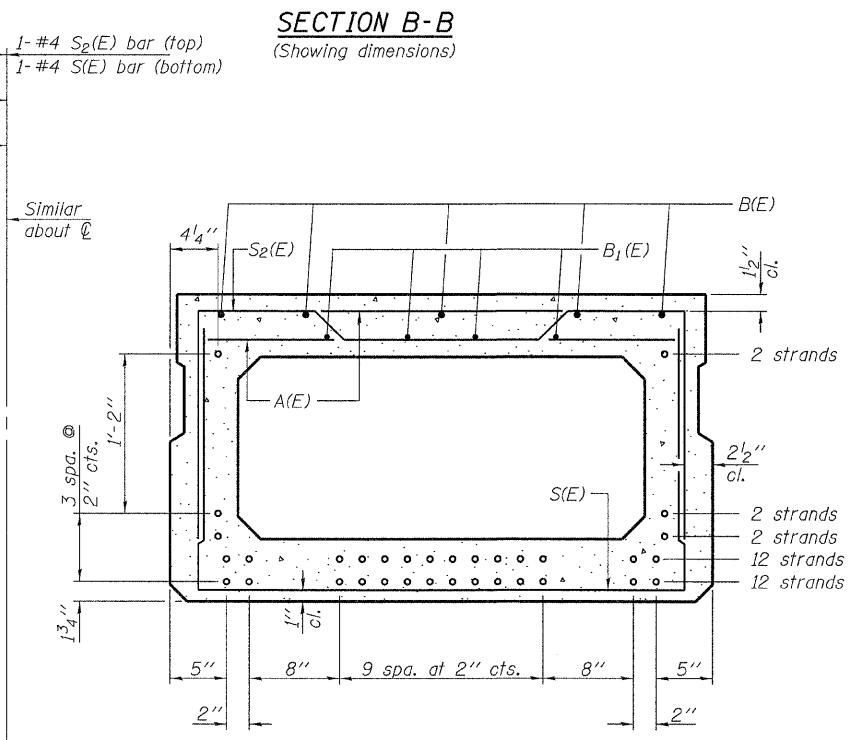


VIEW C-C



PLAN VIEW

Note: Spacing of S(E) and S2(E) bars may be adjusted up to 4" in the immediate area of the transverse tie diaphragms to miss the block outs for the transverse ties.  
Bars indicated thus 5x2-#5 etc. indicates 5 lines of bars with 2 lengths per line.



SECTION B-B  
(Showing reinforcement and permissible strand locations)

Note: Place the number of strands specified in each row symmetrically about the centerline of beam in the permissible strand locations shown.

BAR LIST  
ONE BEAM ONLY  
(For information only)

Bar	No.	Size	Length	Shape
A(E)	62	#4	3'-7"	—
B(E)	10	#5	36'-1"	—
B1(E)	12	#4	24'-7"	—
S(E)	89	#4	7'-5"	┌
S1(E)	8	#4	6'-11"	┌
S2(E)	81	#4	7'-2"	┌
S3(E)	12	#4	5'-5"	┌
S4(E)	12	#4	5'-2"	┌
U(E)	12	#5	4'-6"	┌
U1(E)	4	#4	11'-0"	┌

Note: See sheets 3 & 4 of 8 for additional details and Bill of Material.

MINIMUM BAR LAP  
#4 bar = 2'-0"  
#5 bar = 2'-6"

PD-2748-L 7-1-10

FILE NAME =	USER NAME =	DESIGNED - A.S.L.	REVISED - 08/30/10
HAMPTON, LENZINI AND RENWICK, INC.		CHECKED - S.W.M.	REVISED -
3005 STEVENSON DRIVE, SUITE 201 SPRINGFIELD, ILLINOIS 62703	PLOT SCALE =	DRAWN - D.T.M.	REVISED -
ILLINOIS PROFESSIONAL DESIGN FIRM L3 / PE / SE CORP. 184-000859	PLOT DATE = 10/7/2011	CHECKED - S.W.M.	REVISED -

STATE OF ILLINOIS  
WHITE COUNTY HIGHWAY DEPARTMENT

27" x 48" PPC DECK BEAM  
STRUCTURE NO. 097-3270

SHEET NO. 2 OF 8 SHEETS

T.R.	SECTION	COUNTY	TOTAL SHEETS	SHEET NO.
112	09-09126-00-BR	WHITE	12	6
MILL SHOALS ROAD DISTRICT			CONTRACT NO. 99445	
ILLINOIS FED. AID PROJECT				