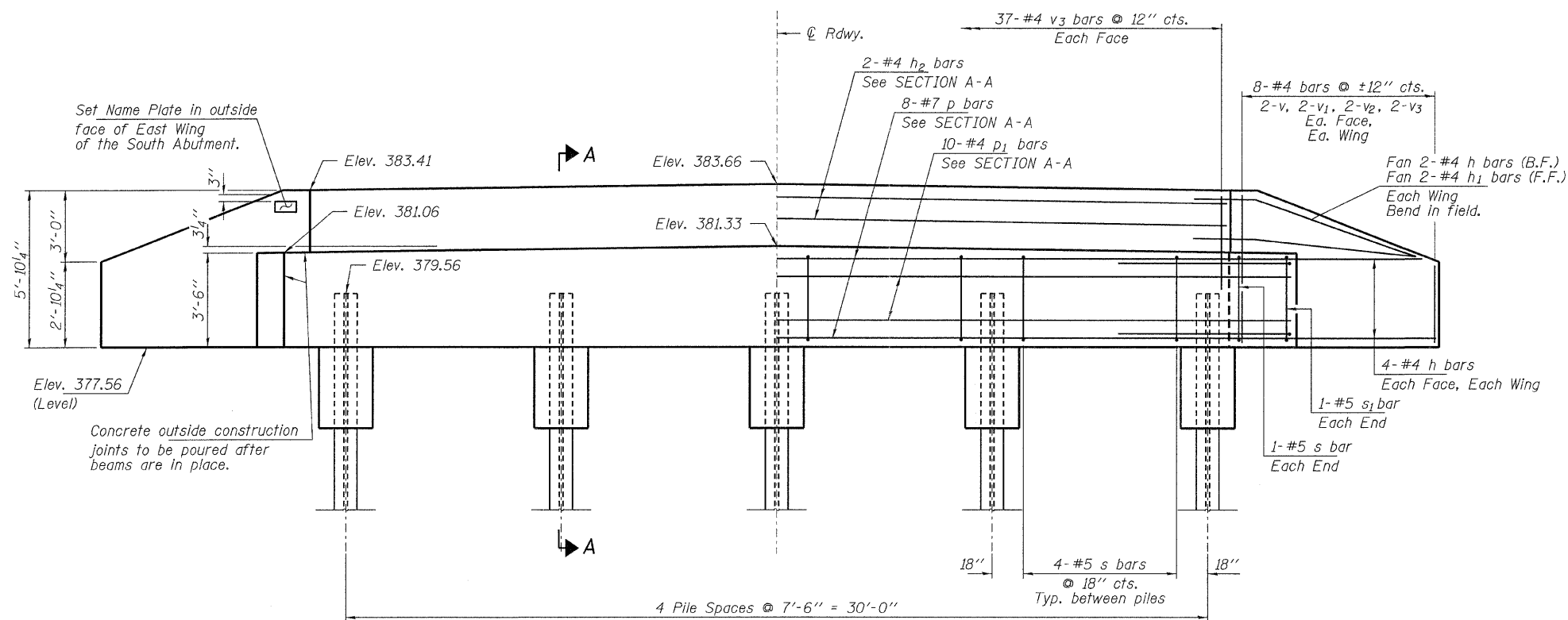
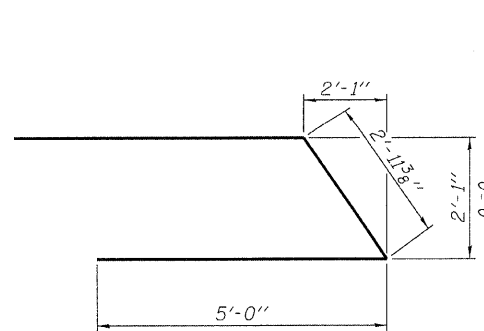


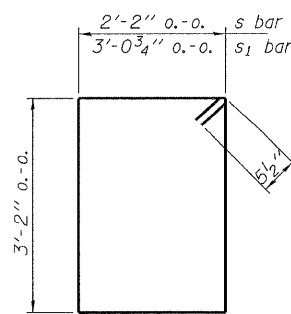
PLAN



ELEVATION



BAR u

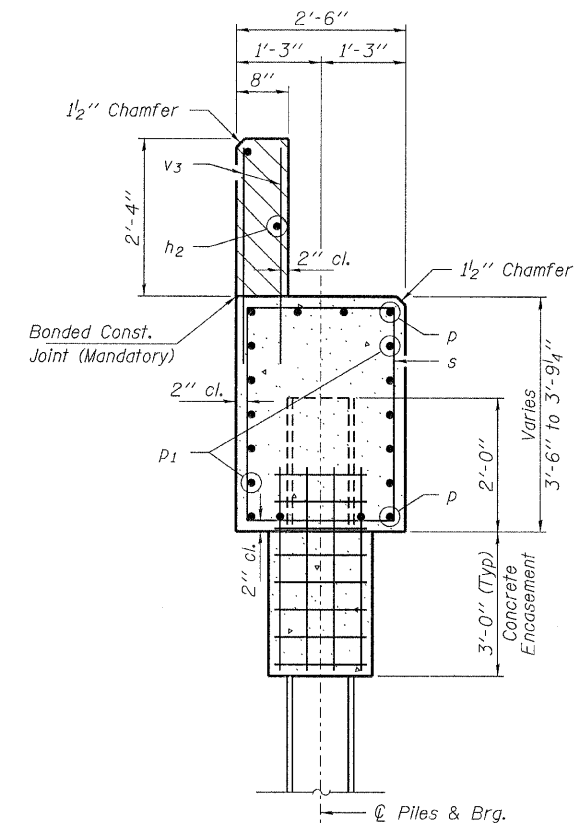


BAR s & s1

PILE DATA

Type ----- Steel HP10x42
 No. Req'd. (2 Abuts.) ----- 10
 Factored Resistance Available (RF) ----- 184 Kips/Pile
 Nominal Required Bearing (Rn) ----- 335 Kips/Pile
 Est. Length ----- 40 Ft./Pile

Notes: The Steel H-Piles shall be according to AASHTO M270 Grade 50.



SECTION A-A

Hatched area to be poured after beams are in place.

BILL OF MATERIAL - 2 ABUTS.

BAR	NO.	SIZE	LENGTH	SHAPE
h	40	#4	8'-3"	—
h1	8	#4	6'-9"	—
h2	4	#4	35'-9"	—
p	16	#7	35'-9"	—
p1	20	#4	35'-9"	—
s	36	#5	11'-7"	□
s1	4	#5	13'-5"	□
u	16	#6	13'-0"	—
v	16	#4	5'-6"	—
v1	16	#4	4'-7"	—
v2	16	#4	3'-7"	—
v3	16	#4	2'-7"	—
v4	148	#4	3'-2"	—
Concrete Structures			Cu. Yd.	32.8
Concrete Encasement			Cu. Yd.	3.5
Reinforcement Bars			Pound	3,290
Steel Piles HP10x42			Foot	400
Name Plates			Each	1

FILE NAME =	USER NAME =	DESIGNED - A.S.L.	REVISED - 08/30/10
HAMPTON, LENZINI AND RENWICK, INC.		CHECKED - S.W.M.	REVISED -
3048 STEVENSON DRIVE, SUITE 201 SPRINGFIELD, ILLINOIS 62703	PLOT SCALE =	DRAWN - D.T.M.	REVISED -
ILLINOIS PROFESSIONAL DESIGN FIRM LS / PE / SE CORP. 184-00859	PLOT DATE = 10/7/2011	CHECKED - S.W.M.	REVISED -

STATE OF ILLINOIS
 WHITE COUNTY HIGHWAY DEPARTMENT

ABUTMENTS
 STRUCTURE NO. 097-3270

SHEET NO. 6 OF 8 SHEETS

T.R.	SECTION	COUNTY	TOTAL SHEETS	SHEET NO.
112	09-09126-00-BR	WHITE	12	10
MILL SHOALS ROAD DISTRICT		CONTRACT NO. 99445		
ILLINOIS FED. AID PROJECT				