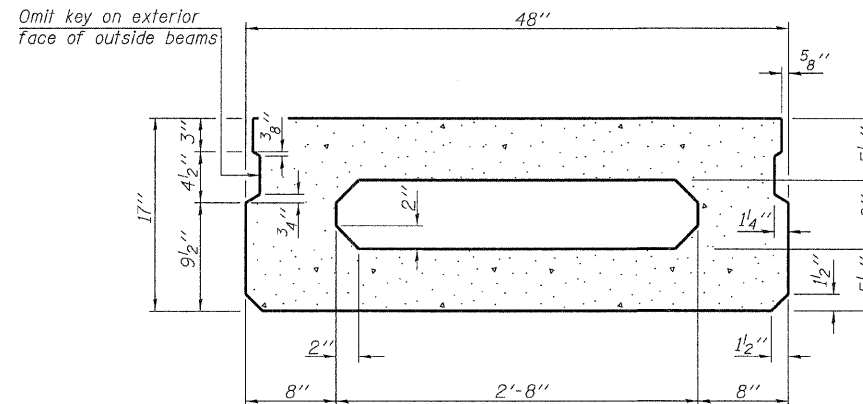
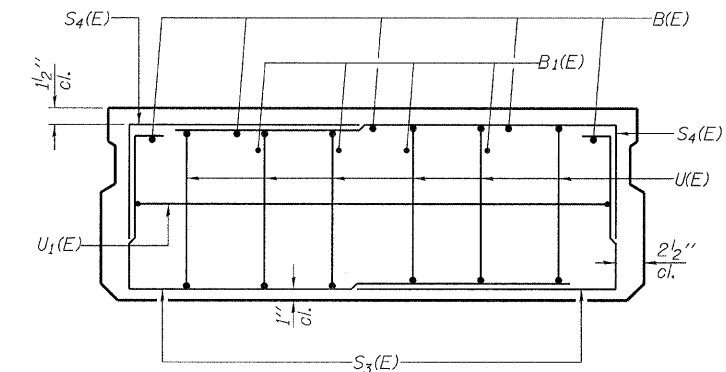


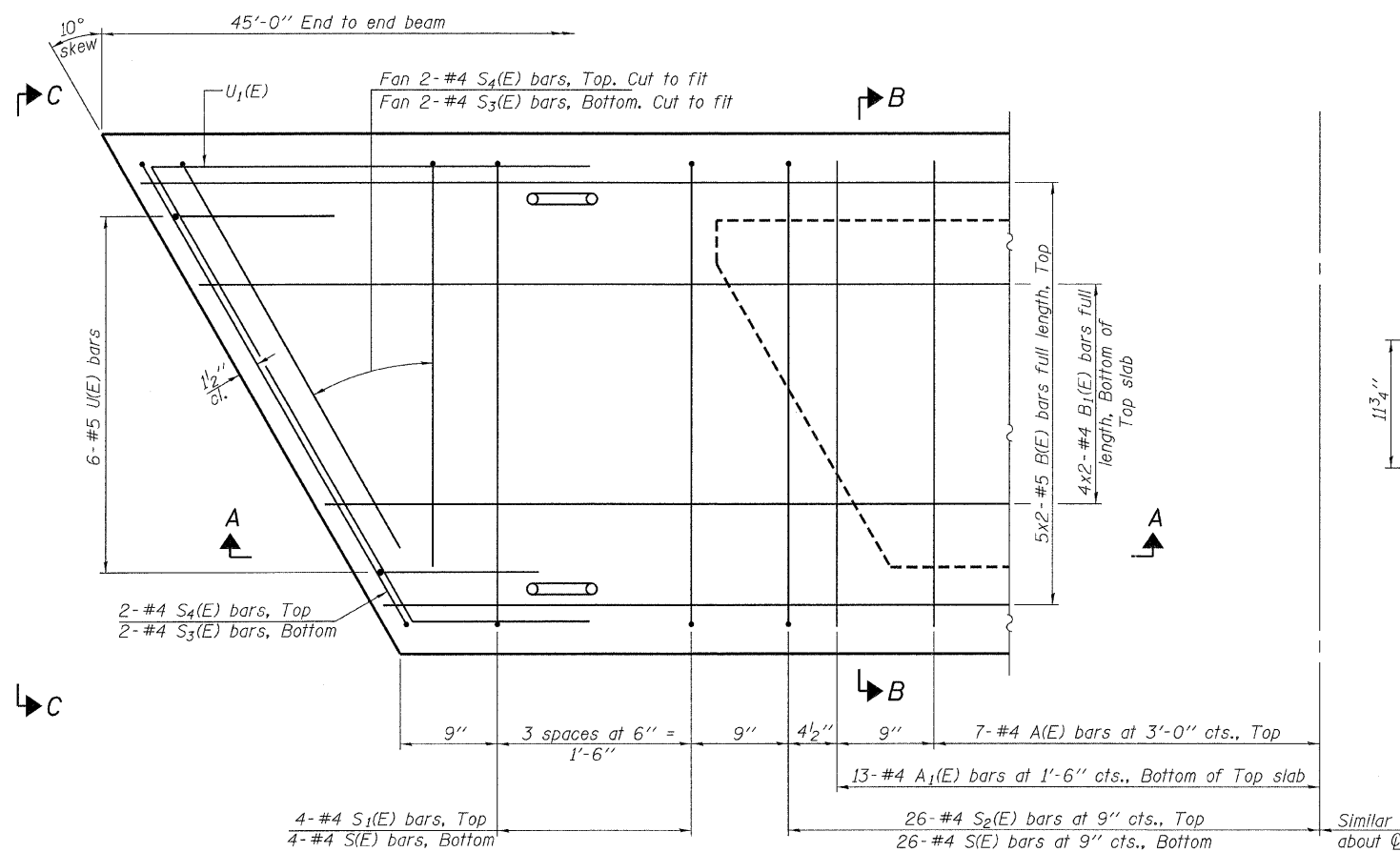
SECTION A-A



SECTION B-B
(Showing dimensions)

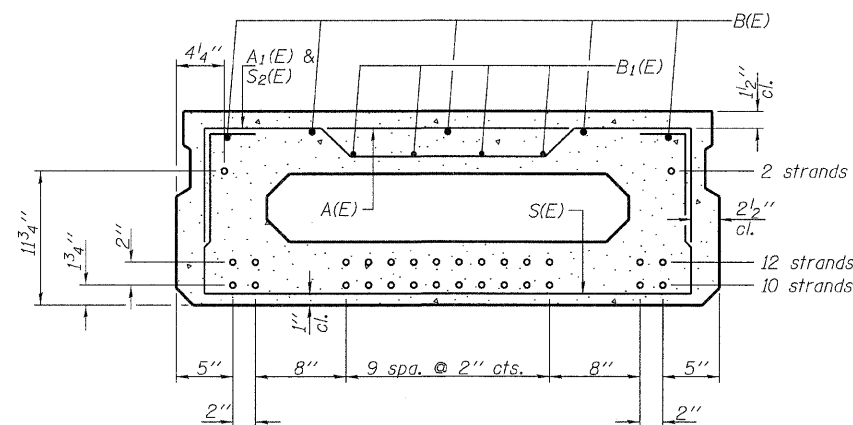


VIEW C-C



PLAN VIEW

Note:
Spacing of S(E) and S2(E) bars may be adjusted up to 4" in the immediate area of the transverse tie diaphragms to miss the block outs for the transverse ties.
Bars indicated thus 5x2-#5 etc. indicates 5 lines of bars with 2 lengths per line.



SECTION B-B

(Showing reinforcement and permissible strand locations)
Note: Place the number of strands specified in each row symmetrically about the centerline of beam in the permissible strand locations shown.

BAR LIST
ONE BEAM ONLY
(For information only)

Bar	No.	Size	Length	Shape
A(E)	14	#4	3'-7"	—
A1(E)	26	#4	3'-10"	—
B(E)	10	#5	23'-7"	—
B1(E)	8	#4	23'-4"	—
S(E)	60	#4	6'-9"	U
S1(E)	8	#4	5'-3"	U
S2(E)	52	#4	5'-6"	U
S3(E)	8	#4	4'-4"	U
S4(E)	8	#4	3'-7"	U
U(E)	12	#5	3'-8"	U
U1(E)	2	#4	6'-8"	U

Note: See sheets 3 & 6 of 12 for additional details and Bill of Material.

MINIMUM BAR LAP

#4 bar = 2'-0"
#5 bar = 2'-6"

PD-1748-R

7-1-10

FILE NAME = 090259-sht-bridge.dgn	USER NAME =	DESIGNED - D.W.T.	REVISED -
HAMPTON, LENZINI AND RENWICK, INC.		CHECKED - S.W.M.	REVISED -
2888 STEVENSON DRIVE, SUITE 201		DRAWN - D.A.B.	REVISED -
SPRINGFIELD, ILLINOIS 62703	PLOT SCALE =	CHECKED - S.W.M.	REVISED -
ILLINOIS PROFESSIONAL DESIGN FIRM	PLOT DATE = 10/7/2011		
LS/P/E/SE CORP. 184.000959			

STATE OF ILLINOIS
WHITE COUNTY HIGHWAY DEPARTMENT

17" x 48" PPC DECK BEAM - SPAN 2
STRUCTURE NO. 097-3271

SHEET NO. 4 OF 12 SHEETS

FAS	SECTION	COUNTY	TOTAL SHEETS	SHEET NO.
881	07-00104-00-BR	WHITE	16	8
INDIAN CREEK ROAD DISTRICT		CONTRACT NO. 99451		
[ILLINOIS] FED. AID PROJECT				