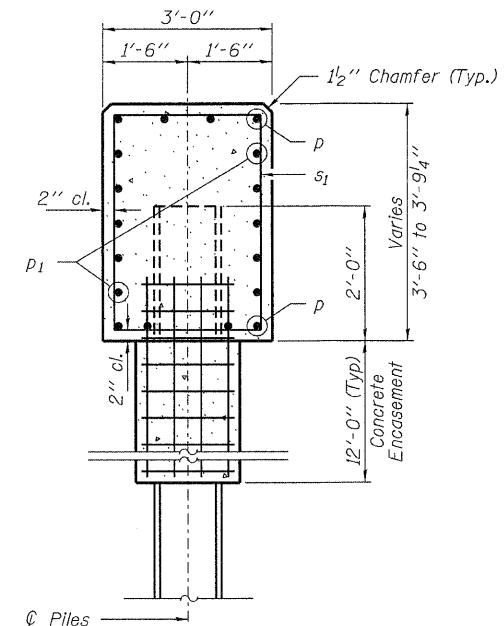
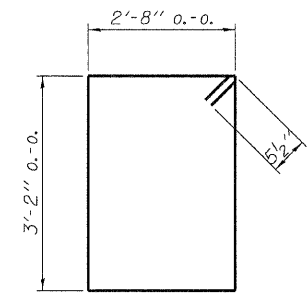


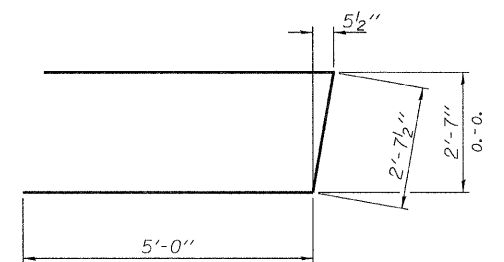
PLAN



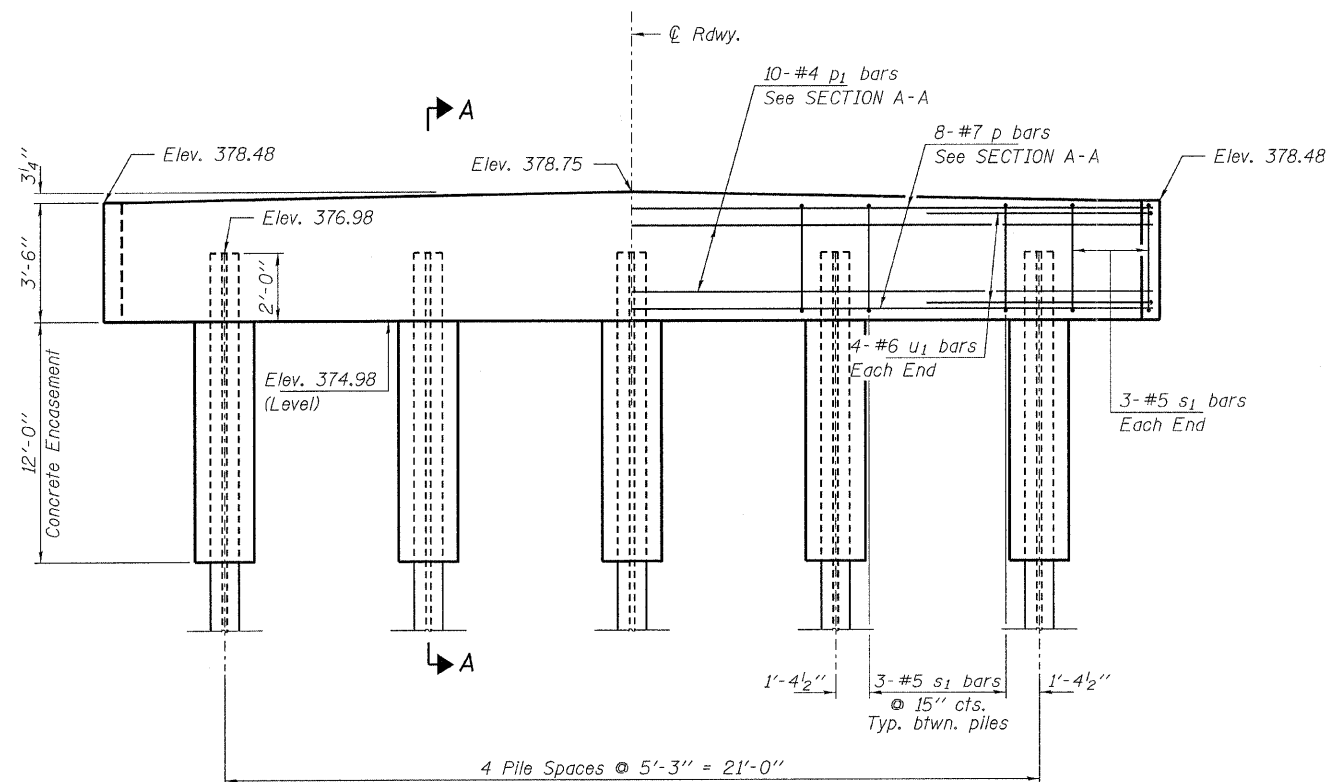
SECTION A-A



BAR s₁



BAR u₁



ELEVATION

PILE DATA

Type ----- Steel HP10x42
 No. Req'd. (2 Piers) ----- 10
 Factored Resistance Available ----- 184 Kips/Pile
 Nominal Req'd Bearing ----- 335 Kips/Pile
 Est. Length ----- 70 Ft/Pile - Pier 1
 60 Ft/Pile - Pier 2

Notes: The Steel H-Piles shall be according to AASHTO M270 Grade 50.

BILL OF MATERIAL - 2 PIERS

BAR	NO.	SIZE	LENGTH	SHAPE
p	16	#7	25'-7"	—
p ₁	20	#4	25'-7"	—
s ₁	36	#5	12'-7"	□
u ₁	16	#6	12'-8"	—
Concrete Structures			Cu. Yd.	20.8
Concrete Encasement			Cu. Yd.	14.0
Reinforcement Bars			Pound	1,960
Steel Piles HP10x42			Foot	650

FILE NAME = 090059-shc-bridge.dgn
 USER NAME =
 HAMPTON, LENZINI AND RENWICK, INC.
 308 STEVENSON DRIVE, SUITE 201
 SPRINGFIELD, ILLINOIS 62703
 ILLINOIS PROFESSIONAL DESIGN FIRM
 LS / PE / SE / CC / RP 184-000959

DESIGNED - D.W.T.
 CHECKED - S.W.M.
 DRAWN - D.A.B.
 CHECKED - S.W.M.

REVISED -
 REVISED -
 REVISED -
 REVISED -

STATE OF ILLINOIS
 WHITE COUNTY HIGHWAY DEPARTMENT

PIERS
 STRUCTURE NO. 097-3271
 SHEET NO. 9 OF 12 SHEETS

FAS	SECTION	COUNTY	TOTAL SHEETS	SHEET NO.
881	07-00104-00-BR	WHITE	16	13
INDIAN CREEK ROAD DISTRICT			CONTRACT NO. 99451	
ILLINOIS FED. AID PROJECT				