

**INDEX OF SHEETS**

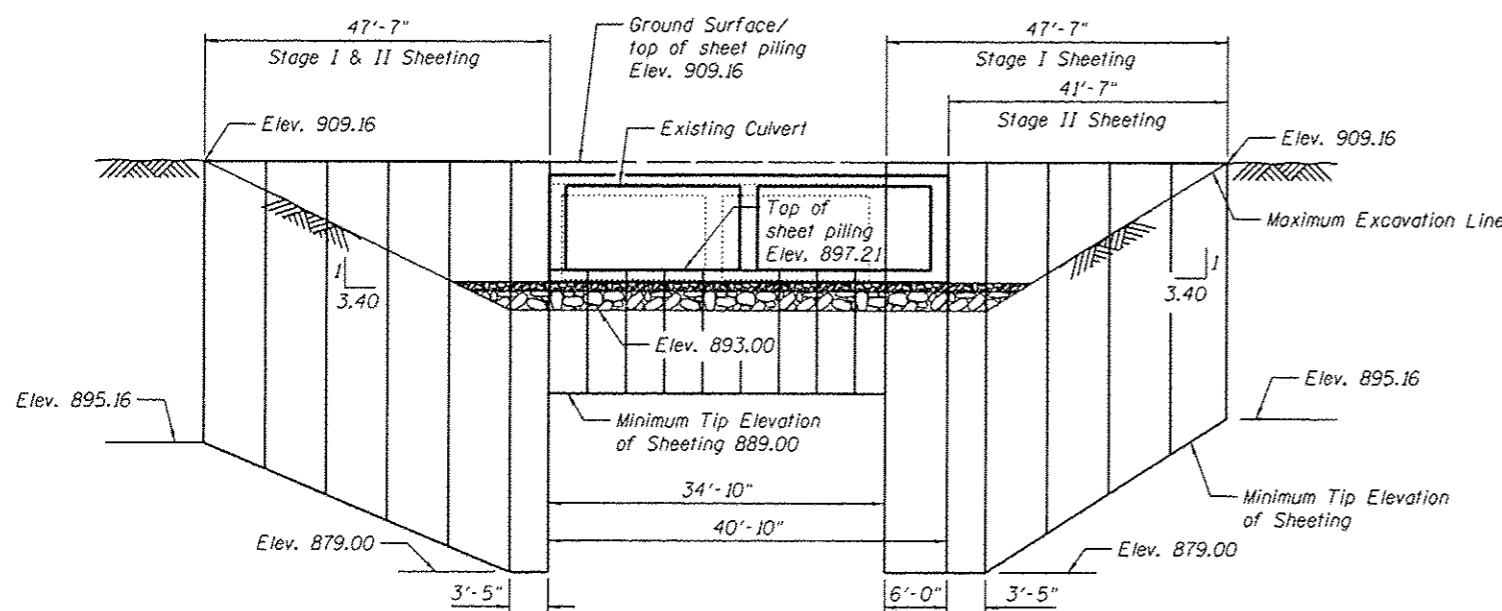
1. General Plan
2. General Notes, Index of Sheets and Total Bill of Materials
3. Stage Construction Details
4. Temporary Concrete Barrier For Stage Construction
5. Temporary Support Details
6. Culvert Plan
7. Wingwall Details
8. Culvert Section and Details
9. Bar Splicer Assembly And Mechanical Splicer Details
10. Boring Logs
11. Existing Structure (For Information Only)
12. Existing Structure (For Information Only)

**GENERAL NOTES**

1. Reinforcement bars designated (E) shall be epoxy coated.
2. Concrete Sealer shall be applied to the designated areas of the horizontal wingwall and top and outside face of the concrete cap.
3. Layout of the slope protection system may be varied to suit ground conditions in the field as directed by the Engineer.
4. If the Contractor chooses to alter the temporary cantilevered sheet piling design requirements shown on the plans, a design submittal including plan details and calculations will be required for review and acceptance by the Engineer.
5. The Rock Fill shall be capped with 6 in. of CA7 and satisfy Standard Specifications unless noted otherwise indicated in the Special Provisions. The cost of the capping material shall be included in the cost of Rock Fill.
6. Place riprap to the top of the weir along the upstream face of the proposed north cell to direct low creek flows thru the proposed south cell.

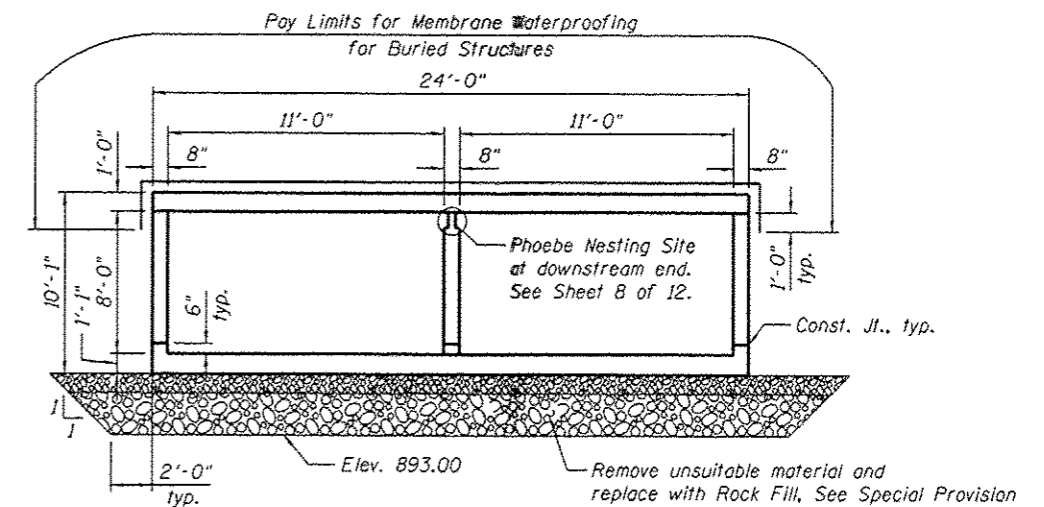
**TOTAL BILL OF MATERIAL**

ITEM	UNIT	TOTAL
Stone Riprap, Class A4	Sq. Yd.	115
Filter Fabric	Sq. Yd.	115
Removal of Existing Structures	Each	1
Removal and Disposal of Unsuitable Material for Structures	Cu. Yd.	270
Concrete Structures	Cu. Yd.	16.2
Reinforcement Bars, Epoxy Coated	Pound	105,940
Bar Splicers	Each	127
Name Plates	Each	1
Temporary Sheet Piling	Sq. Ft.	2,491
Permanent Sheet Piling	Sq. Ft.	2,329
Concrete Box Culverts	Cu. Yd.	263.5
Concrete Sealer	Sq. Ft.	823
Steel Plate Beam Guardrail, Attached to Structures (Special)	Foot	100
Rock Fill	Cu. Yd.	271
Temporary Support System	L. Sum	1
Membrane Waterproofing for Buried Structures	Sq. Yd.	256



**TEMPORARY SHEET PILING DETAIL -  
IL RTE. 47 @ STAGE CONSTRUCTION LINE**

Minimum Section Modulus = 27.4 in<sup>3</sup>/ft



**SECTION THRU BARREL**  
(At Right L's to C Culvert)

Rev 1-04-17

FILE NAME: D:\Engineering\LiveProjects\12816\1001\DIR\12816-1001\2\Contract No. 62A97\000\12816-1001-02-GENERAL NOTES, INDEX OF SHEETS.dgn



USER NAME = john	DESIGNED - SAT	REVISED - 12/13/2016 JMT
PLOT SCALE = 5/8" = 1' in.	CHECKED - JMT	REVISED
PLOT DATE = 12/14/2016	DRAWN - JN	REVISED
	CHECKED - JMT	REVISED

**STATE OF ILLINOIS  
DEPARTMENT OF TRANSPORTATION**

**GENERAL NOTES, INDEX OF SHEETS AND TOTAL BILL OF MATERIAL  
STRUCTURE NO. 045-0336**

SHEET NO. 2 OF 12 SHEETS

F.A.P. RTE.	SECTION	COUNTY	TOTAL SHEETS	SHEET NO.
326	2015-040B	KANE	67	37
				CONTRACT NO. 62A97

ILLINOIS FED. AID PROJECT