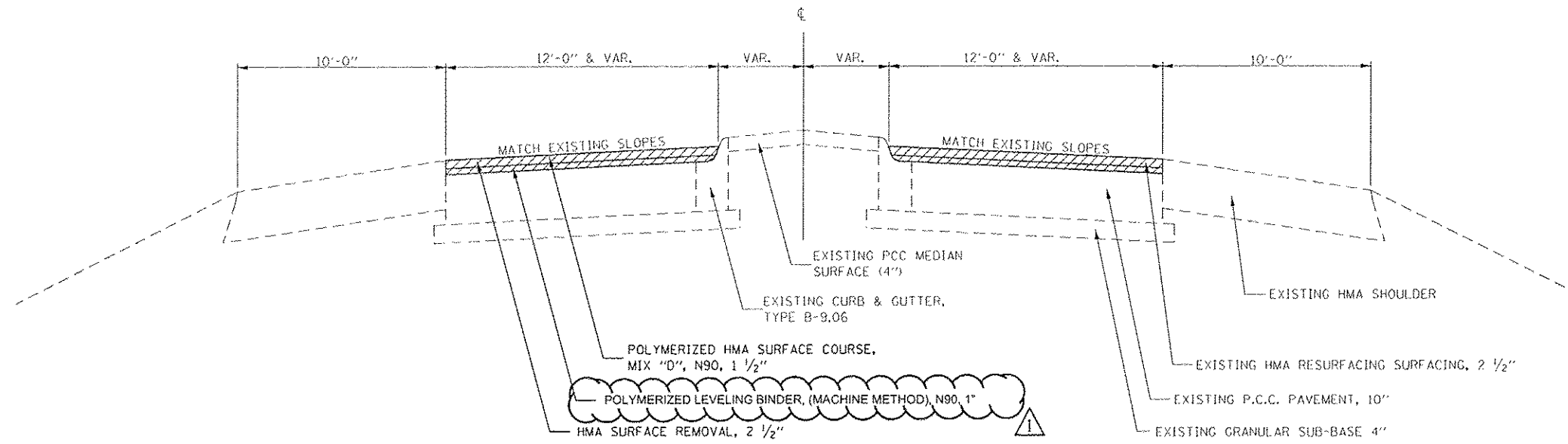
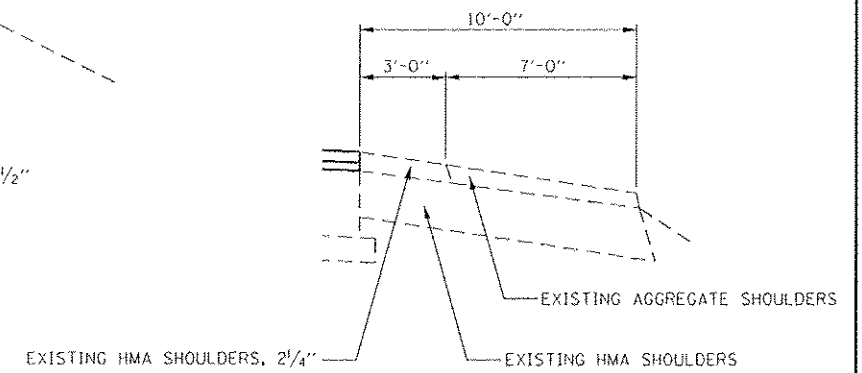


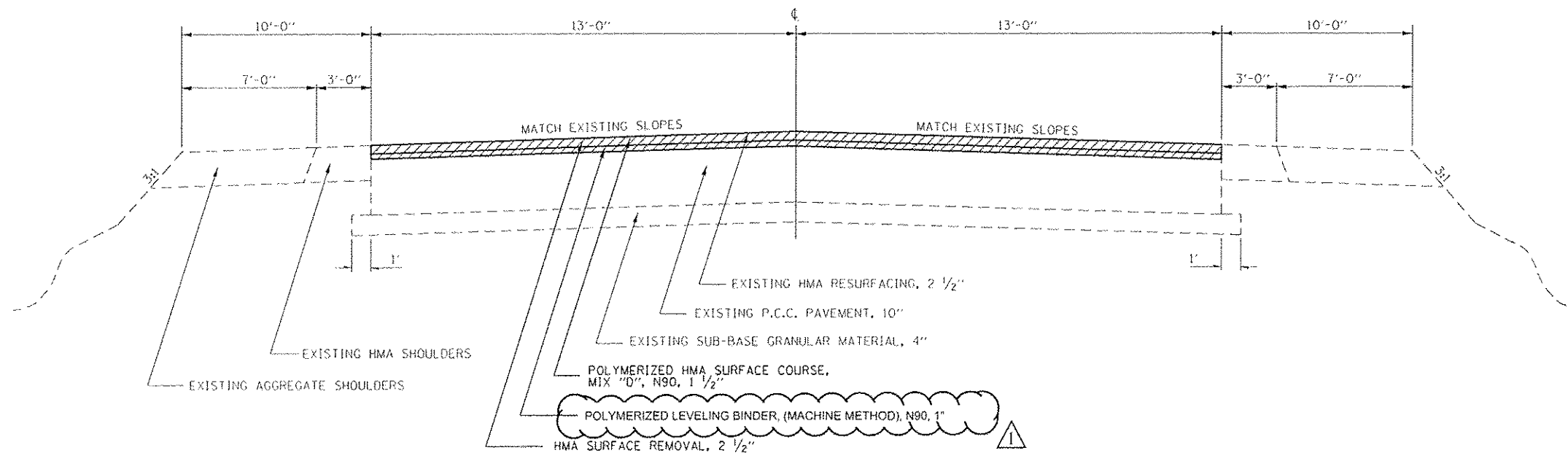
TYPICAL CROSS SECTION US 50  
 STATION 872+85 TO STATION 881+66.70 BK =  
 STATION 1+00AH TO STATION 12+00



TYPICAL CROSS SECTION US 50  
 STATION 872+92 RT TO STATION 880+90 RT  
 STATION 7+93 LT TO STATION 12+00 LT  
 STATION 11+28 RT TO STATION 12+00 RT



TYPICAL CROSS SECTION US 50  
 STATION 12+00 TO STATION 12+50



REV. 1-6-17

FILE NAME	USER NAME	DESIGNED	REVISED	<b>STATE OF ILLINOIS DEPARTMENT OF TRANSPORTATION</b>	<b>TYPICAL CROSS SECTIONS</b>		F.A.P. RTE.	SECTION	COUNTY	TOTAL SHEETS	SHEET NO.	
per\N\LB4EB0HTEG\Illinois.gov\PI\001\00	stef fenn						D7 HMA RESURF 2017-2	RICHLAND	14	5		
PROJECT	PROJECT NO.	CHECKED	REVISED		SCALE:	SHEET	OF	SHEETS	STA.	TO STA.	CONTRACT NO.	74772
											ILLINOIS FED. AID PROJECT	