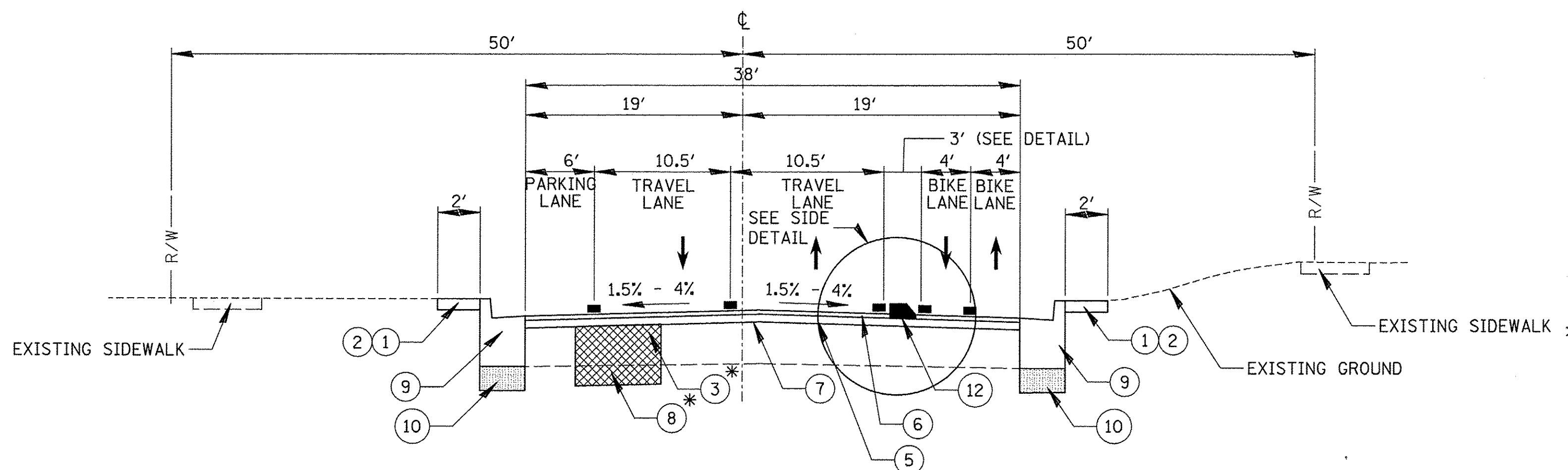


CHICAGO AVENUE EXISTING TYPICAL CROSS SECTION
CHURCH STREET TO SHERIDAN ROAD
590 + 60 TO 603 + 65



CHICAGO AVENUE PROPOSED TYPICAL CROSS SECTION
CHURCH STREET TO SHERIDAN ROAD
590 + 60 TO 603 + 65

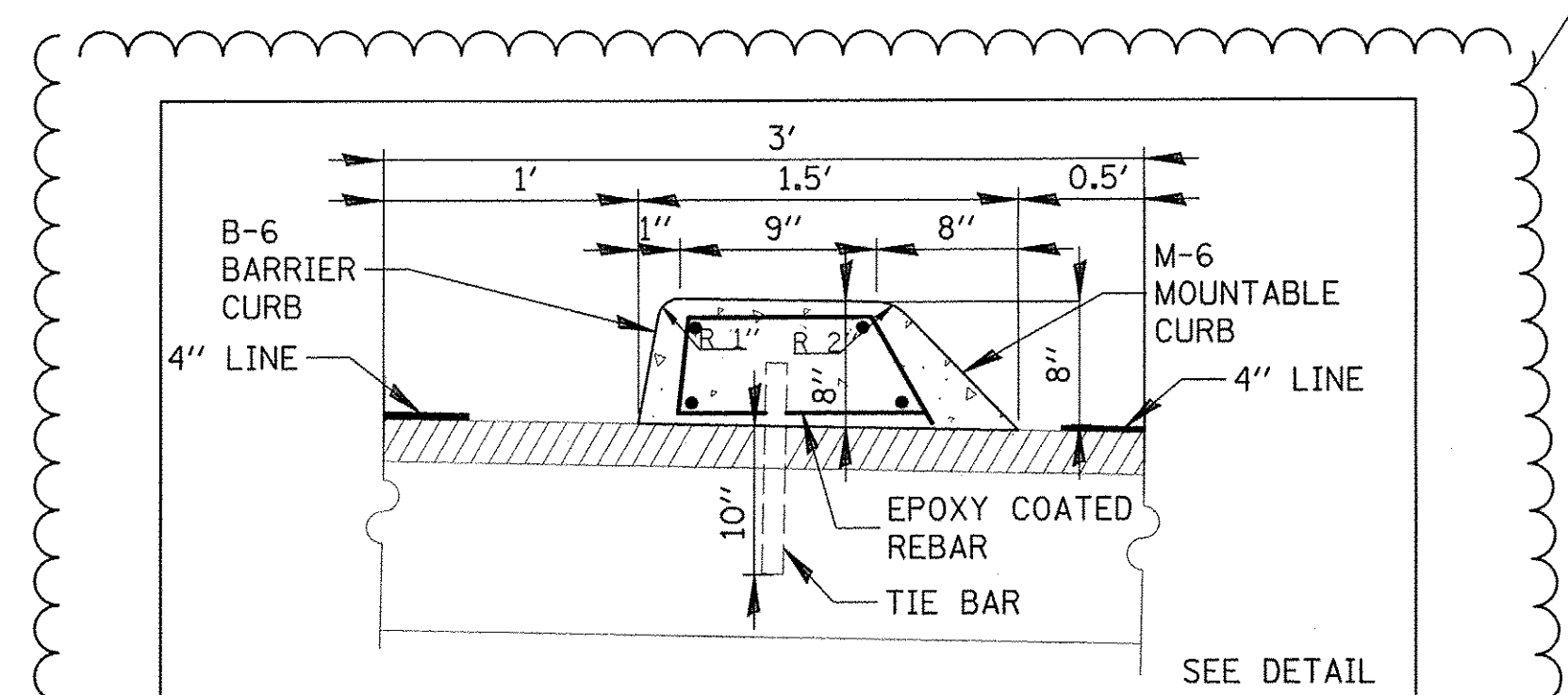
* AT LOCATIONS AS DETERMINED BY THE ENGINEER.

LEGEND

- (A) COMBINATION CURB AND GUTTER REMOVAL (44000500)
- (B) HOT-MIX ASPHALT SURFACE REMOVAL, 2" (44000157)
- (C) CLASS B OR D PATCHES
- (D) PAVEMENT GRINDING (Z0037200)
- (E) EARTH EXCAVATION (20200100)
- (F) REMOVAL AND DISPOSAL OF UNSUITABLE MATERIAL (20201200)
- (G) SIDEWALK REMOVAL (44000600)
- (H) PAVEMENT REMOVAL (44000100)
- (I) HOT-MIX ASPHALT SURFACE REMOVAL, 1 1/2" (44000155)
- (1) TOPSOIL FURNISH AND PLACE, 6" (21101625)
- (2) SODDING, SALT TOLERANT (25200110)
- (3) CLASS D PATCHES
- (4) POLYMERIZED LEVELING BINDER (MACHINE METHOD), IL-4.75 FG, N50; (40600827)
- (5) HOT-MIX ASPHALT BINDER COURSE, IL-19.0; N70; 2 1/2" (40603085)
- (6) HOT-MIX ASPHALT SURFACE COURSE, MIX "D", N70; 1 1/2" (40603340)
- (7) BITUMINOUS MATERIALS (TACK COAT) (40600290)
- (7A) BITUMINOUS MATERIALS (TACK COAT) (40700100)
- (8) AGGREGATE SUBGRADE IMPROVEMENT (30300001)
- (9) CURB AND GUTTER
- (10) SUBBASE GRANULAR MATERIAL, TYPE B 4" (31101200)
- (11) REMOVE AND REINSTALL BRICK PAVER (X0327611)
- (12) PRECAST CONCRETE CURB
- (13) FULL-DEPTH CONCRETE MEDIAN
- (14) PORTLAND CEMENT CONCRETE PAVEMENT (SPECIAL) 9" (LR420010)
- (15) AGGREGATE SUBGRADE IMPROVEMENT 12" (30300112)
- (16) NO. 6 TIE BARS 30" LONG AT 30" CENTERS.
- (17) HOT-MIX ASPHALT PAVEMENT (FULL DEPTH) 8" (40701841)

1

1



PRECAST CONCRETE CURB
EAST SIDE OF CHICAGO AVENUE
591 + 15 TO 602 + 20
EAST SIDE OF SHERIDAN ROAD
641 + 00 TO 661 + 65

FILE NAME =	USER NAME = mmicholowicz	DESIGNED -	REVISED - 12/30/2016	STATE OF ILLINOIS DEPARTMENT OF TRANSPORTATION	CHICAGO AVE/SHERIDAN RD. TYPICAL SECTIONS	F.A.U. RTE.	SECTION	COUNTY	TOTAL SHEETS	SHEET NO.	
N:\EVANSTON\140138_02\Civil\TYP_140138_02.SHT		DRAWN -	REVISED -			2853	14-00273-00-BT	COOK	274	15	
PLOT SCALE = 20'		CHECKED -	REVISED -			CONTRACT NO. 61D36					
Default		DATE -	REVISED -			ILLINOIS FED. AID PROJECT					