

SUMMARY OF QUANTITIES				CONSTRUCTION CODE					
CODE NUMBER	ITEM	UNIT	TOTAL QUANTITY	ROADWAY	TRAFFIC SIGNALS	BIKE LANE	LANDSCAPE	SEWER	WATER MAIN
				0004 15% STATE 85% LOCAL	0021 15% STATE 85% LOCAL	0028 80% ITEP 20% LOCAL	0031 15% STATE 85% LOCAL	0043 15% STATE 85% LOCAL	0043 100% LOCAL
35101582	AGGREGATE BASE COURSE, TYPE B 2"	SQ YD	41						41
40600290	BITUMINOUS MATERIALS (TACK COAT)	POUND	28917	21687		7230			
40600400	MIXTURE FOR CRACKS, JOINTS, AND FLANGWAYS	TON	48	36		12			
40600625	LEVELING BINDER (MACHINE METHOD), N50	TON	165	123		42			
40600827	POLYMERIZED LEVELING BINDER (MACHINE METHOD), IL-4.75, N50	TON	75	60		15			
40600982	HOT-MIX ASPHALT SURFACE REMOVAL - BUTT JOINT	SQ YD	334	265		69			
40600990	TEMPORARY RAMP	SQ YD	250	250					
40603080	HOT-MIX ASPHALT BINDER COURSE, IL-19.0, N50	TON	1260						1260
40603085	HOT-MIX ASPHALT BINDER COURSE, IL-19.0, N70	TON	3931	2948		983			
40603340	HOT-MIX ASPHALT SURFACE COURSE, MIX "D", N70	TON	2734	2050		684			
40700100	BITUMINOUS MATERIALS (TACK COAT)	POUND	3121	2341		780			
40701841	HOT-MIX ASPHALT PAVEMENT (FULL-DEPTH), 8"	SQ YD	3534	2650		884			
42000401	PORLAND CEMENT CONCRETE PAVEMENT 9" (JOINTED)	SQ YD	5528	4423		1105			
42300100	PORTLAND CEMENT CONCRETE DRIVEWAY PAVEMENT, 5 INCH	SQ YD	1102	551		551			
42400200	PORTLAND CEMENT CONCRETE SIDEWALK 5 INCH	SQ FT	23870	17720		5850			300
42400800	DETECTABLE WARNINGS	SQ FT	2761	2485		276			
44000100	PAVEMENT REMOVAL	SQ YD	25918	17568		5850			2500
44000155	HOT-MIX ASPHALT SURFACE REMOVAL, 1 1/2"	SQ YD	4563	3423		1140			
44000157	HOT-MIX ASPHALT SURFACE REMOVAL, 2"	SQ YD	30402	22802		7600			
44000200	DRIVEWAY PAVEMENT REMOVAL	SQ YD	1316	601		605			110
44000500	COMBINATION CURB AND GUTTER REMOVAL	FOOT	23540	8905		13326			1309
44000600	SIDEWALK REMOVAL	SQ FT	26252	2589		23299			364
44200934	CLASS B PATCHES, TYPE II, 8 INCH	SQ YD	444	333		111			
44200942	CLASS B PATCHES, TYPE III, 8 INCH	SQ YD	753	333		420			
44200944	CLASS B PATCHES, TYPE IV, 8 INCH	SQ YD	600	400		200			
44201299	DOVEJEL BARS 1 1/2"	EACH	2193	2193					
44201753	CLASS D PATCHES, TYPE II, 9 INCH	SQ YD	482	361		121			
44201757	CLASS D PATCHES, TYPE III, 9 INCH	SQ YD	482	361		121			
44201759	CLASS D PATCHES, TYPE IV, 9 INCH	SQ YD	600	400		200			
44213000	PATCHING REINFORCEMENT	SQ YD	1797	1437		360			
44213200	SAW CUTS	FOOT	5000	5000					
44213202	TIE BARS 1"	EACH	2193	2193					
550B0050	STORM SEWERS, CLASS B, TYPE 1 12"	FOOT	50					50	
550B0340	STORM SEWERS, CLASS B, TYPE 2 12"	FOOT	507					507	

△ SPECIALTY ITEM

FILE NAME = N:\EVANSTON\140138.02\Civil\500.140138.02	USER NAME = mmichalowicz	DESIGNED -	REVISED - 12/30/2016	STATE OF ILLINOIS DEPARTMENT OF TRANSPORTATION	CHICAGO AVE/SHERIDAN RD. SUMMARY OF QUANTITIES	F.A.J. RTE. 2853	SECTION 14-00273-00-BT	COUNTY COOK	TOTAL SHEETS 274	SHEET NO. 6		
Default	PLOT SCALE = 3'	DRAWN -	REVISED -			SCALE: IN=BS.	SHEET 1 OF 1	SHEETS STA.	TO STA.	ILLINOIS FED. AID PROJECT CONTRACT NO. 61D36		
	PLOT DATE = 11/15/2016	CHECKED -	REVISED -									
		DATE -	REVISED -									

SUMMARY OF QUANTITIES				CONSTRUCTION CODE					
CODE NUMBER	ITEM	UNIT	TOTAL QUANTITY	ROADWAY	TRAFFIC SIGNALS	BIKE LANE	LANDSCAPE	SEWER	WATER MAIN
				0004 15% STATE 85% LOCAL	0021 15% STATE 85% LOCAL	0028 20% ITEP 20% LOCAL	0031 15% STATE 85% LOCAL	0043 15% STATE 85% LOCAL	0043 100% LOCAL
Δ 88700200	LIGHT DETECTOR	EACH	7		7				
Δ 88700300	LIGHT DETECTOR AMPLIFIER	EACH	2		2				
Δ 89000100	TEMPORARY TRAFFIC SIGNAL INSTALLATION	EACH	3		3				
Δ 89500100	RELOCATE EXISTING SIGNAL HEAD	EACH	30		30				
Δ 89500200	RELOCATE EXISTING PEDESTRIAN SIGNAL HEAD	EACH	16		16				
Δ 89500400	RELOCATE EXISTING PEDESTRIAN PUSH-BUTTON	EACH	16		16				
Δ 89501150	RELOCATE EXISTING TRAFFIC SIGNAL POST	EACH	19		19				
Δ 89501400	RELOCATE EXISTING EMERGENCY VEHICLE PRIORITY SYSTEM, DETECTOR UNIT	EACH	14		14				
Δ 89501410	RELOCATE EXISTING EMERGENCY VEHICLE PRIORITY SYSTEM, PHASING UNIT	EACH	1		1				
Δ 89502200	MODIFY EXISTING CONTROLLER	EACH	4		4				
Δ 89502375	REMOVE EXISTING TRAFFIC SIGNAL EQUIPMENT	EACH	7		7				
Δ 89502376	REBUILD EXISTING HANDHOLE	EACH	3		3				
Δ 89502380	REMOVE EXISTING HANDHOLE	EACH	16		16				
Δ 89502385	REMOVE EXISTING CONCRETE FOUNDATION	EACH	42		42				
Z0004514	HOT-MIX ASPHALT DRIVEWAY PAVEMENT, 4"	SQ YD	113						113
Z0004522	HOT-MIX ASPHALT DRIVEWAY PAVEMENT, 6"	SQ YD	218	109		109			
Z0013300	CONCRETE REMOVAL (SPECIAL)	SQ YD	45	45					
Z0013798	CONSTRUCTION LAYOUT	LSUM	1	0.78					0.22
Z0016702	DETOUR SIGNING	LSUM	1	0.78					0.22
Δ Z0018911	DRILL AND GROUT #6 TIE BARS	EACH	160	128		32			
Δ Z0024478	FLEXIBLE DELINEATORS	EACH	10			10			
Δ Z0033024	MAINTAIN EXISTING LIGHTING SYSTEM	LSUM	1	0.75		0.25			
Δ Z0033056	OPTIMIZE TRAFFIC SIGNAL SYSTEM	EACH	2		2				
Z0037200	PAVEMENT GRINDING	SQ YD	2428	1820		608			
Z0036900	PARKING METERS TO BE REMOVED	EACH	15	13		2			
Δ Z0044298	PRESSURE CONNECTION TO EXISTING WATER MAIN	EACH	1						1
Z0056604	STORM SEWER (WATER MAIN REQUIREMENTS) 8 INCH	FOOT	29						29
Z0056606	STORM SEWER (WATER MAIN REQUIREMENTS) 10 INCH	FOOT	16						16
Z0056608	STORM SEWER (WATER MAIN REQUIREMENTS) 12 INCH	FOOT	76						76
Z0056610	STORM SEWER (WATER MAIN REQUIREMENTS) 15 INCH	FOOT	16						16

Δ SPECIALTY ITEM

FILE NAME =	USER NAME = mmichalowicz	DESIGNED -	REVISED - Δ 12/30/2016
N:\EVANSTON\140138.02\Civil\500_140138.02	07.SHT	DRAWN -	REVISED -
Default	PLOT SCALE = 3'	CHECKED -	REVISED -
	PLOT DATE = 11/15/2016	DATE -	REVISED -

**STATE OF ILLINOIS
DEPARTMENT OF TRANSPORTATION**

**CHICAGO AVE/SHERIDAN RD.
SUMMARY OF QUANTITIES**

SCALE: 1"=25'. SHEET 1 OF 1 SHEETS STA. TO STA.

F.A.U. RTE. 2853	SECTION 14-00273-00-BT	COUNTY COOK	TOTAL SHEETS 274	SHEET NO. 11
CONTRACT NO. 61036			ILLINOIS FED. AID PROJECT	

SUMMARY OF QUANTITIES				CONSTRUCTION CODE					
CODE NUMBER	ITEM	UNIT	TOTAL QUANTITY	ROADWAY	TRAFFIC SIGNALS	BIKE LANE	LANDSCAPE	SEWER	WATER MAIN
				0004 15% STATE 85% LOCAL	0021 15% STATE 85% LOCAL	0028 80% ITP 20% LOCAL	0031 15% STATE 85% LOCAL	0043 15% STATE 85% LOCAL	0043 100% LOCAL
Z0062456	TEMPORARY PAVEMENT	SQ YD	1400	1400					
Z0073345	SLEEPER SLAB	FOOT	177	177					
Δ Z0073510	TEMPORARY TRAFFIC SIGNAL TIMING	EACH	7		7				
Δ A2002024	TREE, AESCULUS GLABRA (OHIO BUCKEYE), 3" CALIPER, BALLED AND BURLAPPED	EACH	11				11		
Δ A2004428	TREE, GINKGO BILOBA (GINKGO), 3-1/2" CALIPER, BALLED AND BURLAPPED	EACH	8				8		
Δ A2005024	TREE, GYMNOCLADUS DIOICUS (KENTUCKY COFFEETREE), 3" CALIPER, BALLED AND BURLAPPED	EACH	13				13		
Δ A2005924	TREE, PLATANUS X ACERIFOLIA BLOODGOOD (BLOODGOOD LONDON PLANETREE), 3" CALIPER, BALLED AND BURLAPPED	EACH	10				10		
Δ A2008618	TREE, ULMUS MORTON GLOSSY (TRIUMPH ELM), 3" CALIPER, BALLED AND BURLAPPED	EACH	17				17		
Δ B2001124	TREE, CERCIS CANADENSIS (EASTERN REDBUD), 3" CALIPER, TREE FORM, BALLED AND BURLAPPED	EACH	5				5		
Δ B2001420	TREE, CORNUS MAS (CORNELIAN CHERRY DOG WOOD), 2" CALIPER, TREE FORM, BALLED AND BURLAPPED	EACH	6				6		
Δ B2003414	TREE, MALUS FLORIBUNDA (JAPANESE FLOWERING CRABAPPLE), 1-3/4" CALIPER, TREE FORM, BALLED AND BURLAPPED	EACH	2				2		
Δ K1005875	TREE TRANSPLANT	EACH	9				9		
Δ X0323071	SPARE FULL ACTUATED CONTROLLER, SPECIAL	EACH	1		1				
Δ X0323577	SANITARY SEWER TELEVISION INSPECTION, VIDEOTAPING AND RECORDING	FOOT	4326						4326
X0323677	STREET SWEEPING	HOUR	5						5
Δ X0324085	EMERGENCY VEHICLE PRIORITY SYSTEM LINE SENSOR CABLE, NO. 20 3/C	FOOT	2608		2608				
Δ X0324599	ROD AND CLEARN EXISTING CONDUIT	FOOT	500		500				
Δ X0325476	RADAR VEHICLE DETECTION SYSTEM	EACH	1		1				
Δ X0326225	PAINT NEW PEDESTRIAN PUSH-BUTTON POST	EACH	1		1				
X0326863	BRICK SIDEWALK	SQ FT	230	230					
Δ X0327466	TRAFFIC COUNTER POST, GALVANIZED STEEL	EACH	15	13		2			
X0327611	REMOVE AND REINSTALL BRICK PAVER	SQ FT	1148	861		287			
Δ X0327615	COMBINED SEWER REMOVAL 8"	FOOT	29						29
X0327979	PAVEMENT MARKING REMOVAL - GRINDING	SQ FT	7090						7090
X4200950	HIGH-EARLY-STRENGTH PORTLAND CEMENT CONCRETE PAVEMENT 9" (JOINTED)	SQ YD	16583	13267		3316			
X4400110	TEMPORARY PAVEMENT REMOVAL	SQ YD	500	500					
Δ X5610651	ABANDON EXISTING WATER MAIN, FILL WITH CLSM	FOOT	3059						3059
Δ X5610706	WATER MAIN REMOVAL, 6"	FOOT	52						52
Δ X5610708	WATER MAIN REMOVAL, 8"	FOOT	52						52
Δ X5610748	WATER MAIN LINE STOP 8"	EACH	1						1
Δ X5620116	WATER SERVICE CONNECTION (SHORT)	EACH	18						18

Δ SPECIALTY ITEM

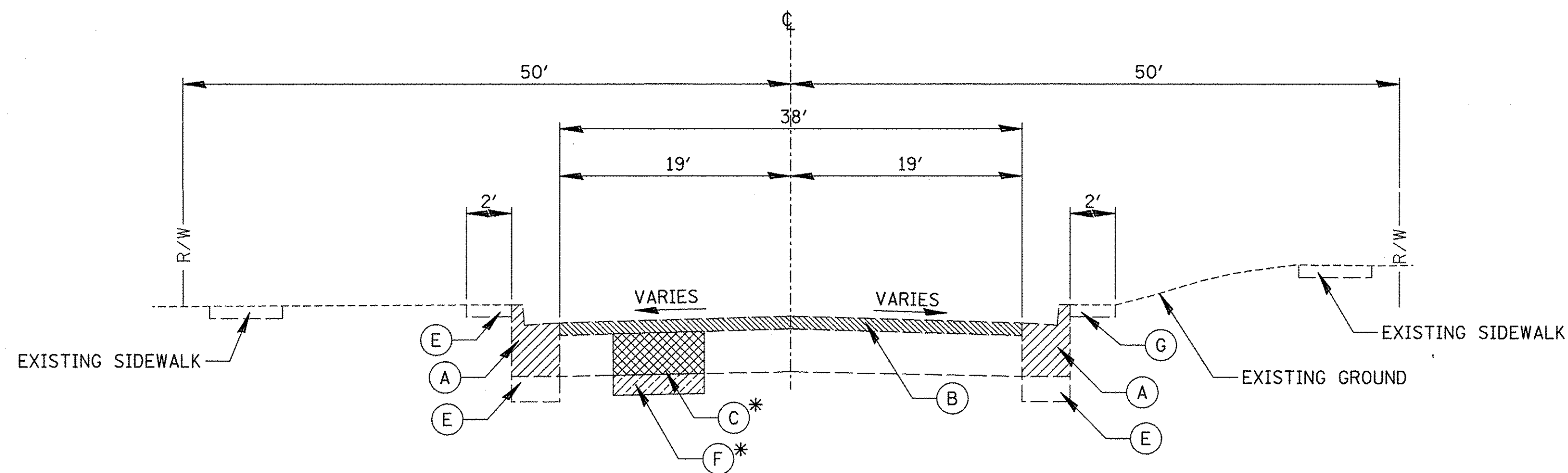
FILE NAME =	USER NAME = mmichalowiez	DESIGNED -	REVISED - Δ 12/30/2016
N:\EVANSTON\140138.02\Civil\500.140138.02	08.SHT	DRAWN -	REVISED -
Default	PLOT SCALE = 3"	CHECKED -	REVISED -
	PLOT DATE = 11/15/2016	DATE -	REVISED -

STATE OF ILLINOIS
DEPARTMENT OF TRANSPORTATION

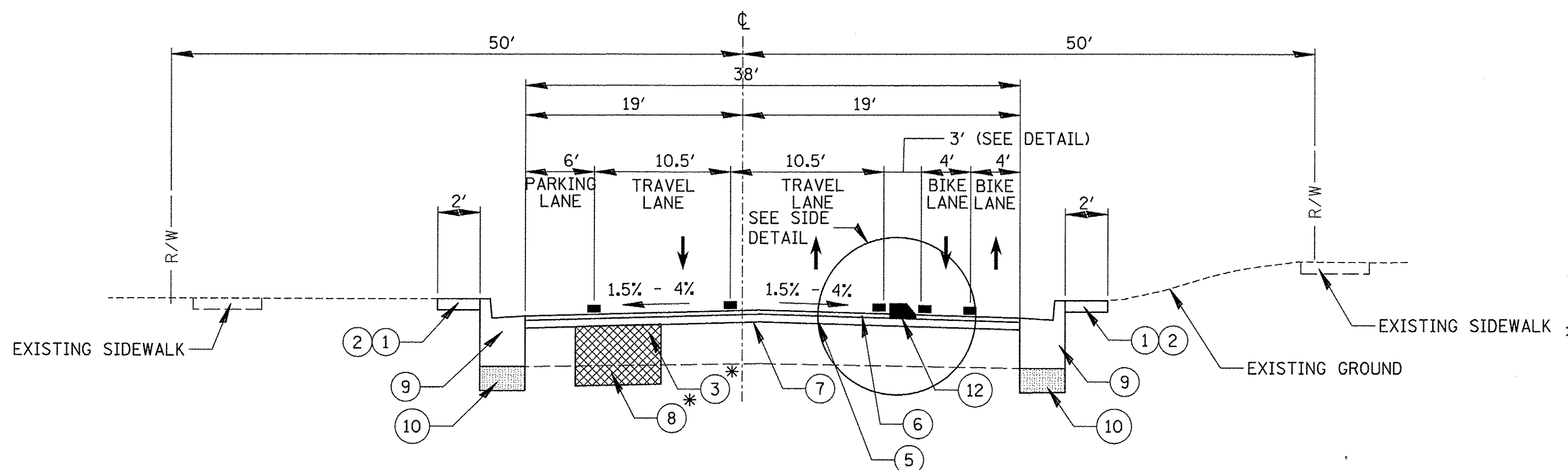
CHICAGO AVE/SHERIDAN RD.
SUMMARY OF QUANTITIES

SCALE: IN=75. SHEET 1 OF 1 SHEETS STA. TO STA.

F.A.U. RTE.	SECTION	COUNTY	TOTAL SHEETS	SHEET NO.
2853	14-00273-00-BT	COOK	274	12
			CONTRACT NO. 61D36	
ILLINOIS FED. AID PROJECT				



CHICAGO AVENUE EXISTING TYPICAL CROSS SECTION
CHURCH STREET TO SHERIDAN ROAD
590 + 60 TO 603 + 65

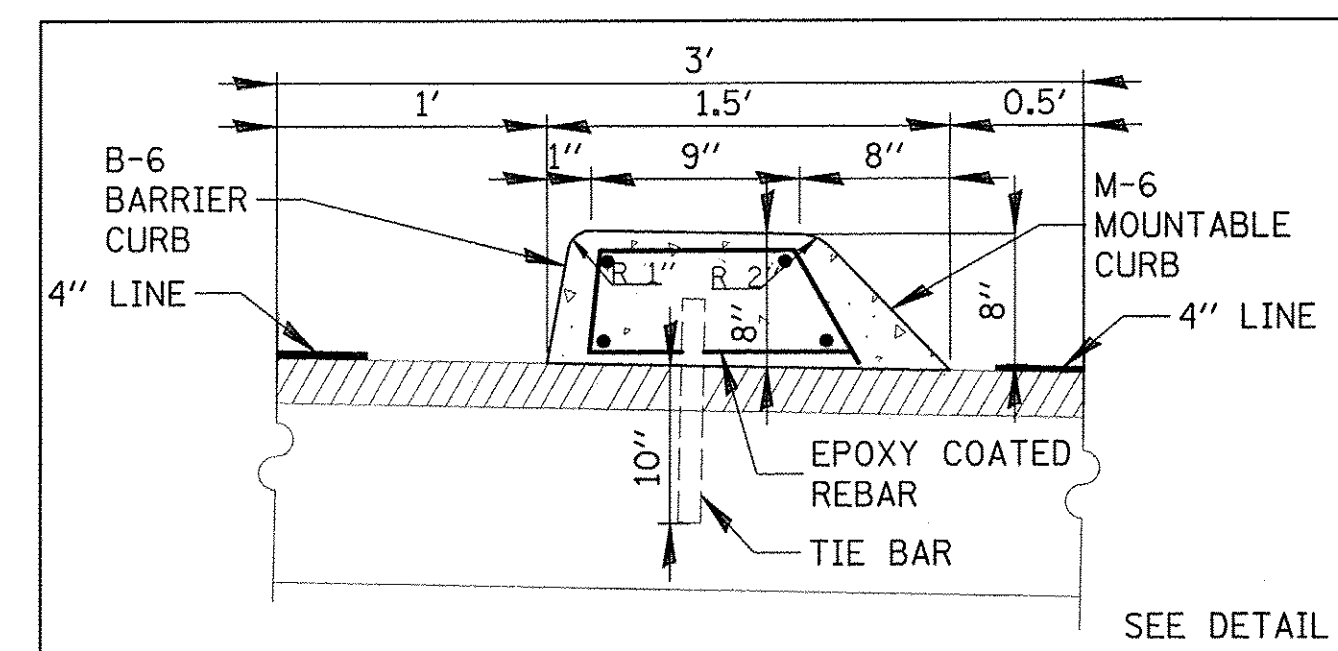


CHICAGO AVENUE PROPOSED TYPICAL CROSS SECTION
CHURCH STREET TO SHERIDAN ROAD
590 + 60 TO 603 + 65

* AT LOCATIONS AS DETERMINED BY THE ENGINEER.

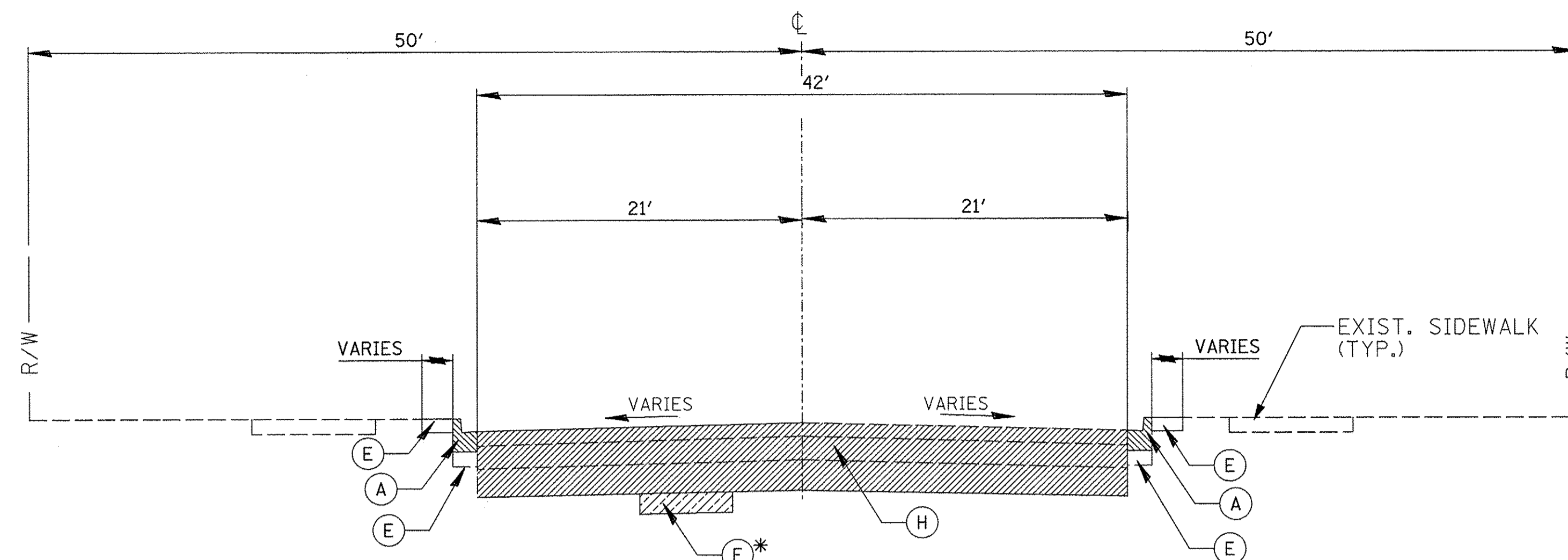
LEGEND

- (A) COMBINATION CURB AND GUTTER REMOVAL (44000500)
- (B) HOT-MIX ASPHALT SURFACE REMOVAL, 2" (44000157)
- (C) CLASS B OR D PATCHES
- (D) PAVEMENT GRINDING (Z0037200)
- (E) EARTH EXCAVATION (20200100)
- (F) REMOVAL AND DISPOSAL OF UNSUITABLE MATERIAL (20201200)
- (G) SIDEWALK REMOVAL (44000600)
- (H) PAVEMENT REMOVAL (44000100)
- (I) HOT-MIX ASPHALT SURFACE REMOVAL, 1 1/2" (44000155)
- (1) TOPSOIL FURNISH AND PLACE, 6" (21101625)
- (2) SODDING, SALT TOLERANT (25200110)
- (3) CLASS D PATCHES
- (4) POLYMERIZED LEVELING BINDER (MACHINE METHOD), IL-4.75 FG, N50; (40600827)
- (5) HOT-MIX ASPHALT BINDER COURSE, IL-19.0; N70; 2 1/2" (40603085)
- (6) HOT-MIX ASPHALT SURFACE COURSE, MIX "D", N70; 1 1/2" (40603340)
- (7) BITUMINOUS MATERIALS (TACK COAT) (40600290)
- (7A) BITUMINOUS MATERIALS (TACK COAT) (40700100)
- (8) AGGREGATE SUBGRADE IMPROVEMENT (30300001)
- (9) CURB AND GUTTER
- (10) SUBBASE GRANULAR MATERIAL, TYPE B 4" (31101200)
- (11) REMOVE AND REINSTALL BRICK PAVER (X0327611)
- (12) PRECAST CONCRETE CURB
- (13) FULL-DEPTH CONCRETE MEDIAN
- (14) PORTLAND CEMENT CONCRETE PAVEMENT (SPECIAL) 9" (LR420010)
- (15) AGGREGATE SUBGRADE IMPROVEMENT 12" (30300112)
- (16) NO. 6 TIE BARS 30" LONG AT 30" CENTERS.
- (17) HOT-MIX ASPHALT PAVEMENT (FULL DEPTH) 8" (40701841)

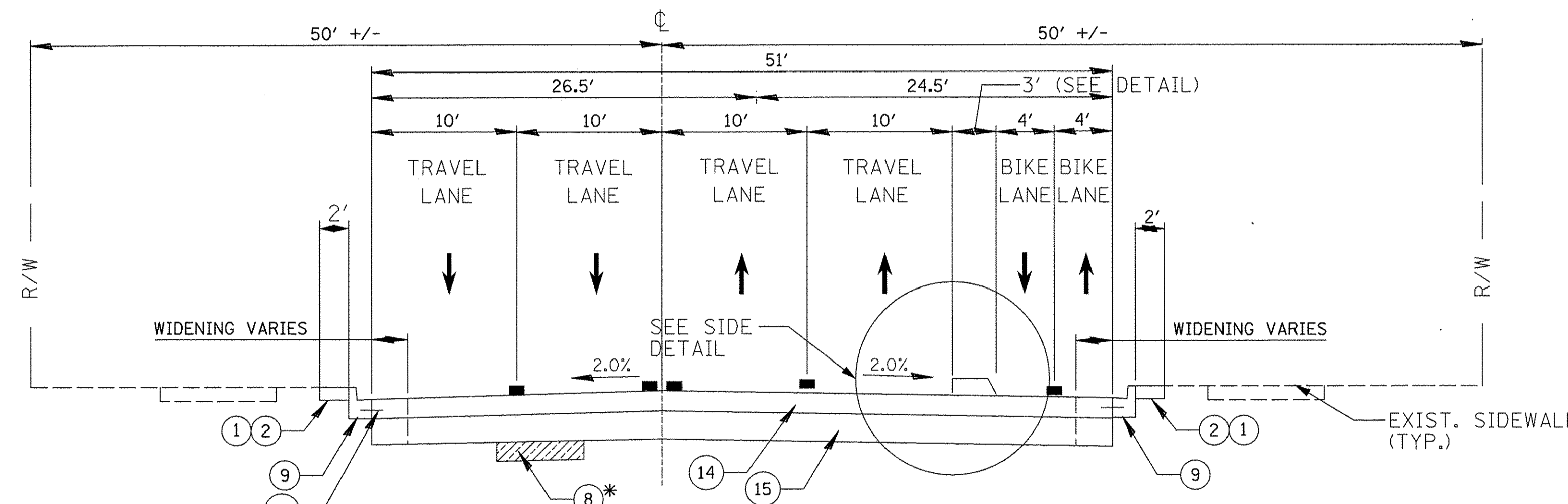


PRECAST CONCRETE CURB
EAST SIDE OF CHICAGO AVENUE
591 + 15 TO 602 + 20
EAST SIDE OF SHERIDAN ROAD
641 + 00 TO 661 + 65

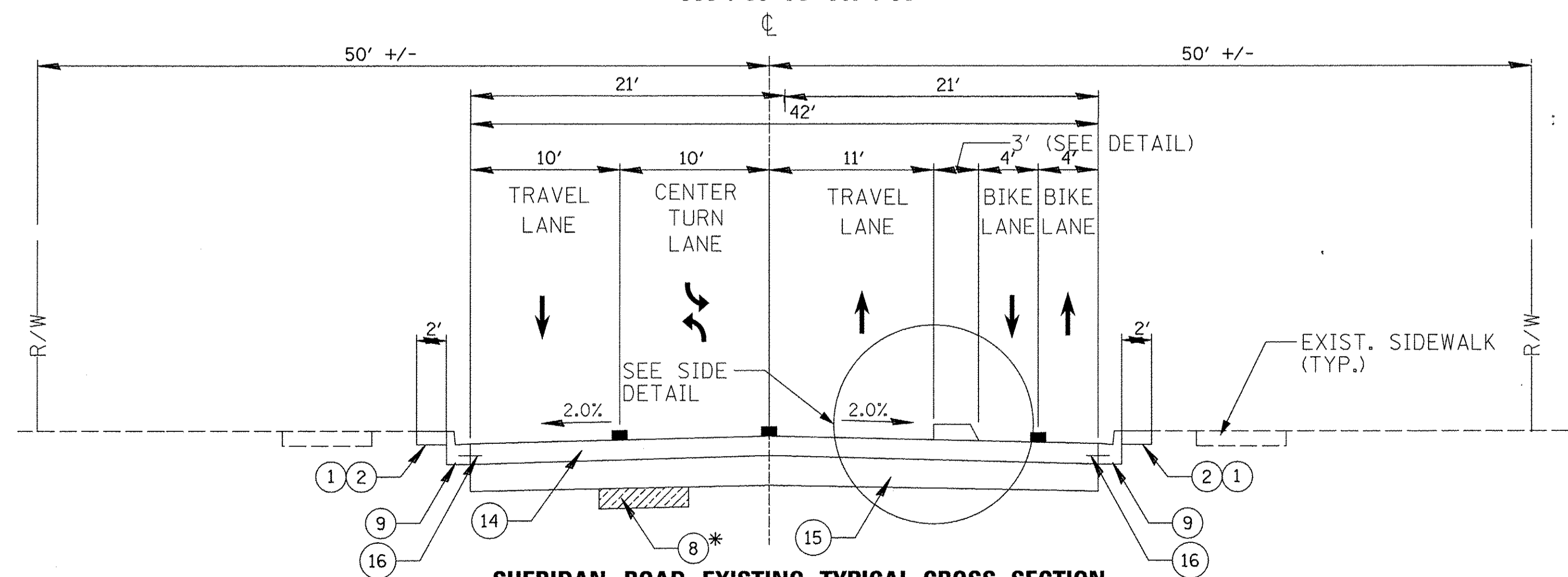
FILE NAME =	USER NAME = mmicholowicz	DESIGNED -	REVISED - 12/30/2016	STATE OF ILLINOIS DEPARTMENT OF TRANSPORTATION	CHICAGO AVE/SHERIDAN RD. TYPICAL SECTIONS	F.A.U. RTE.	SECTION	COUNTY	TOTAL SHEETS	SHEET NO.	
N:\EVANSTON\140138_02\Civil\TYP_140138_02.SHT		DRAWN -	REVISED -			2853	14-00273-00-BT	COOK	274	15	
PLOT SCALE = 20'		CHECKED -	REVISED -			CONTRACT NO. 61036					
Default		DATE -	REVISED -			ILLINOIS FED. AID PROJECT					



**SHERIDAN ROAD EXISTING TYPICAL CROSS SECTION
CHICAGO AVENUE TO LINCOLN STREET
603+65 TO 641+00**



**SHERIDAN ROAD PROPOSED TYPICAL CROSS SECTION
CHICAGO AVENUE TO LIBRARY PLACE
603+65 TO 617+50**

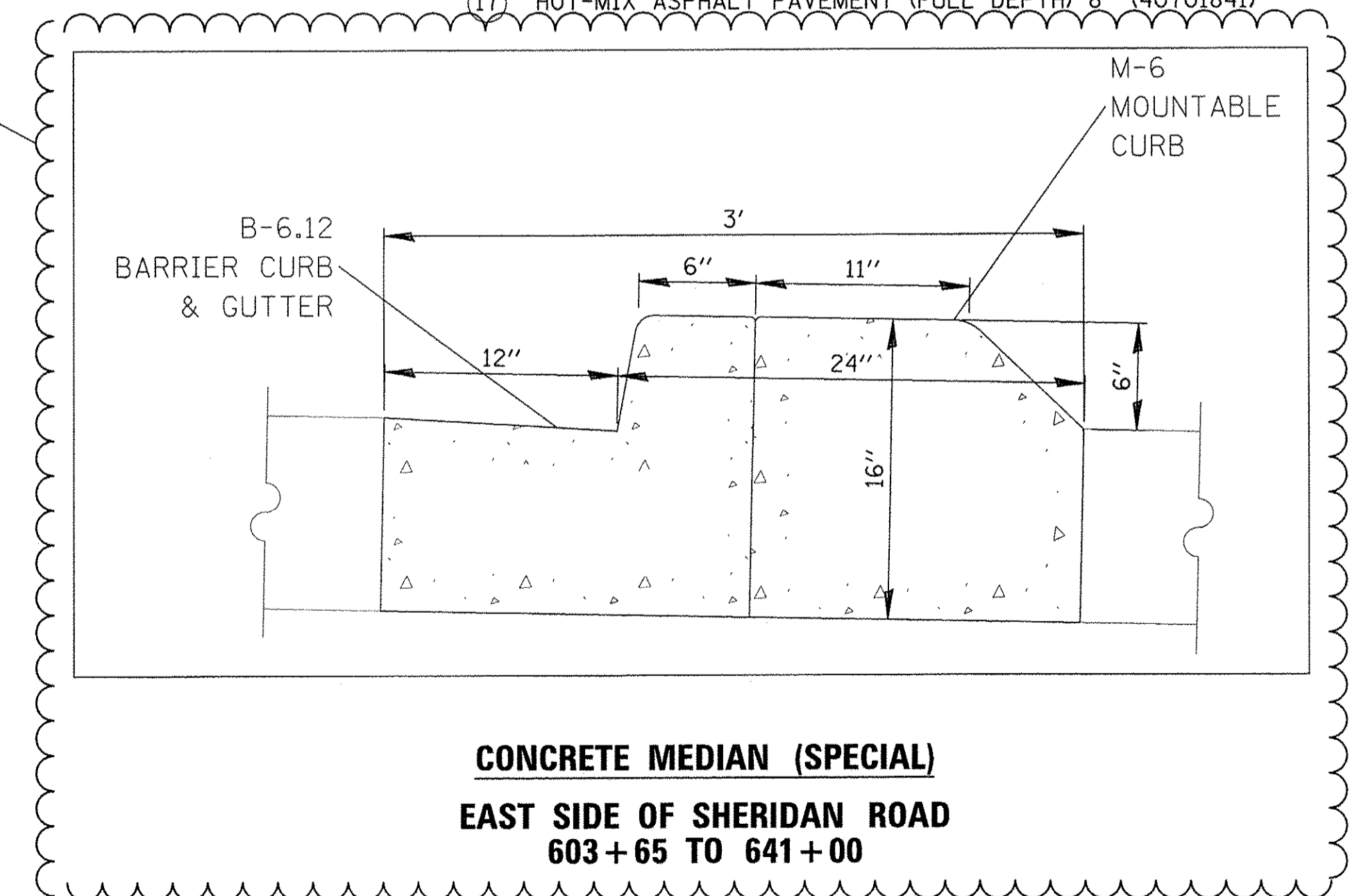


**SHERIDAN ROAD EXISTING TYPICAL CROSS SECTION
LIBRARY PLACE TO LINCOLN STREET
617+50 TO 641+00**

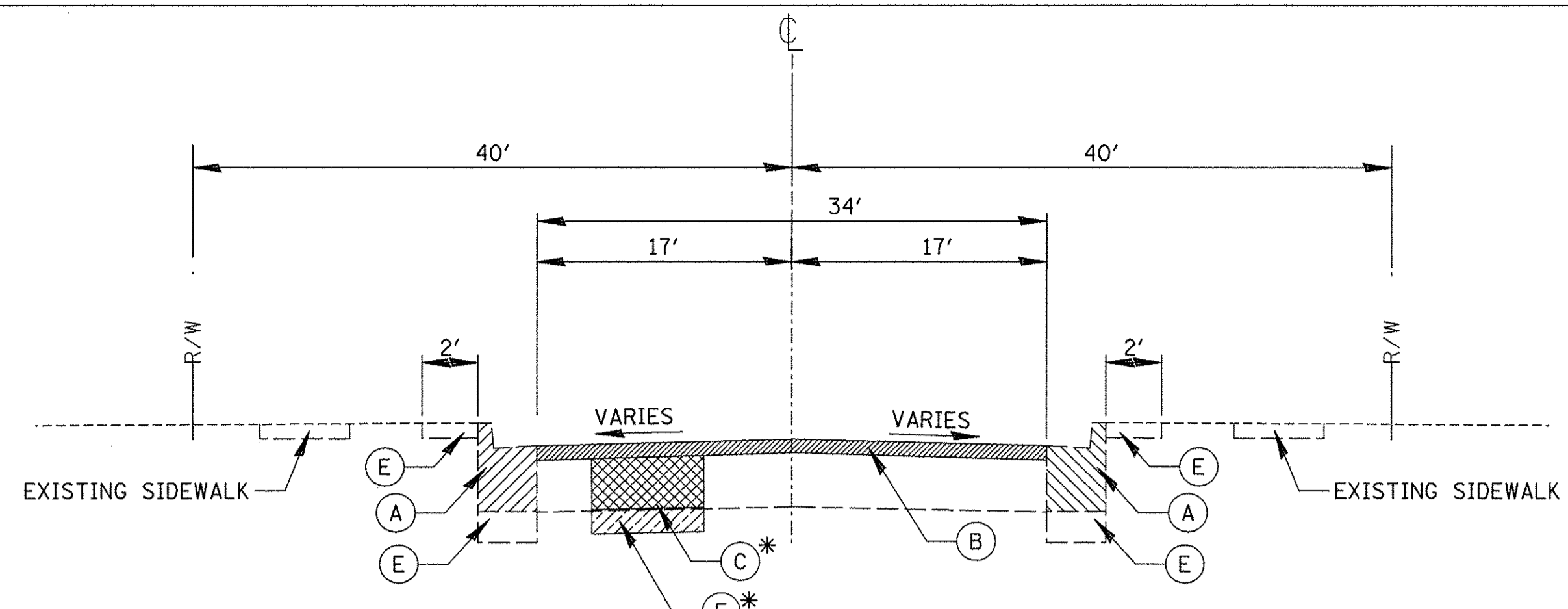
LEGEND

- (A) COMBINATION CURB AND GUTTER REMOVAL (44000500)
- (B) HOT-MIX ASPHALT SURFACE REMOVAL, 2" (44000157)
- (C) CLASS B OR D PATCHES
- (D) PAVEMENT GRINDING (Z0037200)
- (E) EARTH EXCAVATION (20200100)
- (F) REMOVAL AND DISPOSAL OF UNSUITABLE MATERIAL (20201200)
- (G) SIDEWALK REMOVAL (44000600)
- (H) PAVEMENT REMOVAL (44000100)
- (I) HOT-MIX ASPHALT SURFACE REMOVAL, 1 1/2" (44000155)
- (1) TOPSOIL FURNISH AND PLACE, 6" (21101625)
- (2) SODDING, SALT TOLERANT (25200110)
- (3) CLASS D PATCHES
- (4) POLYMERIZED LEVELING BINDER (MACHINE METHOD), IL-4.75 FG, N50; (40600827)
- (5) HOT-MIX ASPHALT BINDER COURSE, IL-19.0; N70; 2 1/2" (40603085)
- (6) HOT-MIX ASPHALT SURFACE COURSE, MIX "D", N70; 1 1/2" (40603340)
- (7) BITUMINOUS MATERIALS (TACK COAT) (40600290)
- (7A) BITUMINOUS MATERIALS (TACK COAT) (40700100)
- (8) AGGREGATE SUBGRADE IMPROVEMENT (30300001)
- (9) CURB AND GUTTER
- (10) SUBBASE GRANULAR MATERIAL, TYPE B 4" (31101200)
- (11) REMOVE AND REINSTALL BRICK PAVER (X0327611)
- (12) PRECAST CONCRETE CURB
- (13) FULL-DEPTH CONCRETE MEDIAN
- (14) PORTLAND CEMENT CONCRETE PAVEMENT (SPECIAL) 9" (LR420010)
- (15) AGGREGATE SUBGRADE IMPROVEMENT 12" (30300112)
- (16) NO. 6 TIE BARS 30" LONG AT 30" CENTERS.
- (17) HOT-MIX ASPHALT PAVEMENT (FULL DEPTH) 8" (40701841)

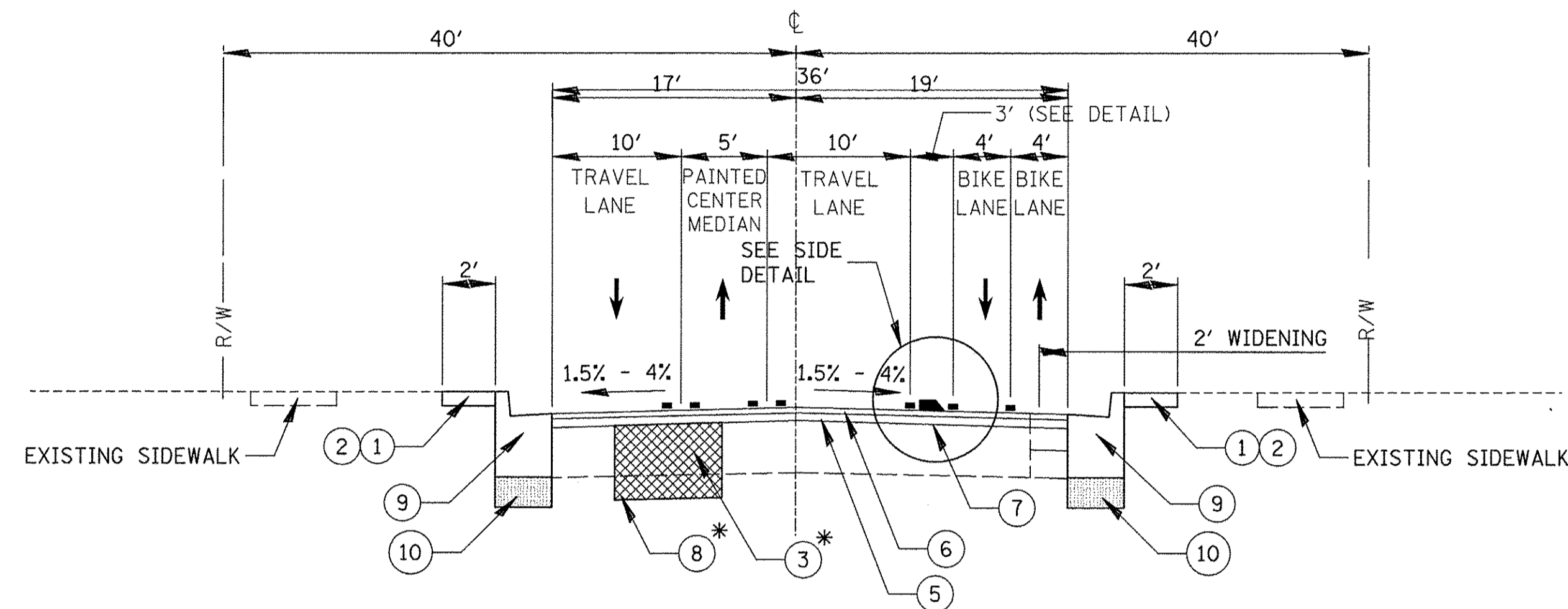
* AT LOCATIONS AS DETERMINED BY THE ENGINEER.



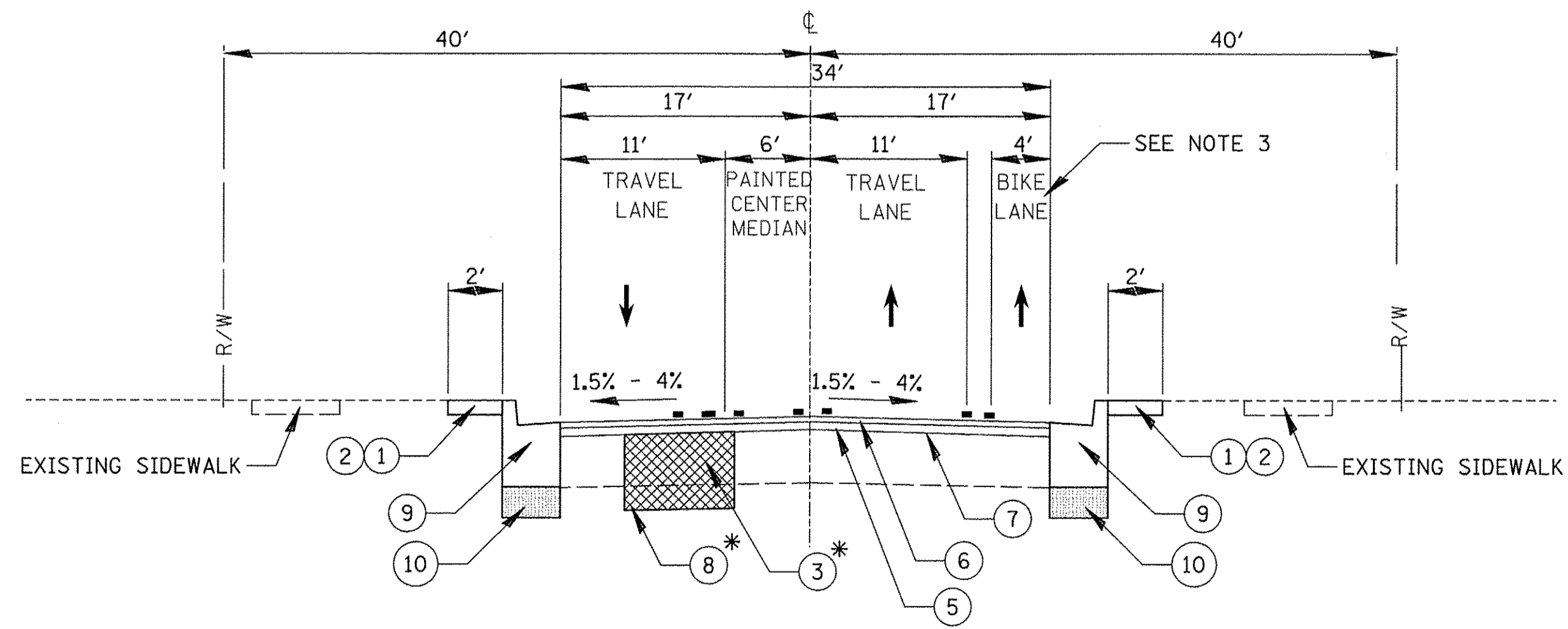
FILE NAME =	USER NAME = mmichalowicz	DESIGNED -	REVISED - 12/30/2016	STATE OF ILLINOIS DEPARTMENT OF TRANSPORTATION	CHICAGO AVE/SHERIDAN RD. TYPICAL SECTIONS			F.A.U. RTE. 2853	SECTION 14-00273-00-BT	COUNTY COOK	TOTAL SHEETS 274	SHEET NO. 16
NAEVANSTON\140138.02\Civil\TYP.140138.03	SHT	DRAWN -	REVISED -		SCALE: 1"=20'	SHEET	OF	SHEETS	STA.	TO STA.	CONTRACT NO. 61D36	
Default	PLOT SCALE = 20'	CHECKED -	REVISED -								ILLINOIS FED. AID PROJECT	
	PLOT DATE = 12/30/2016	DATE -	REVISED -									



**SHERIDAN ROAD EXISTING TYPICAL CROSS SECTION
LINCOLN STREET TO SOUTH OF SHERIDAN PLACE
641+00 TO 669+00**



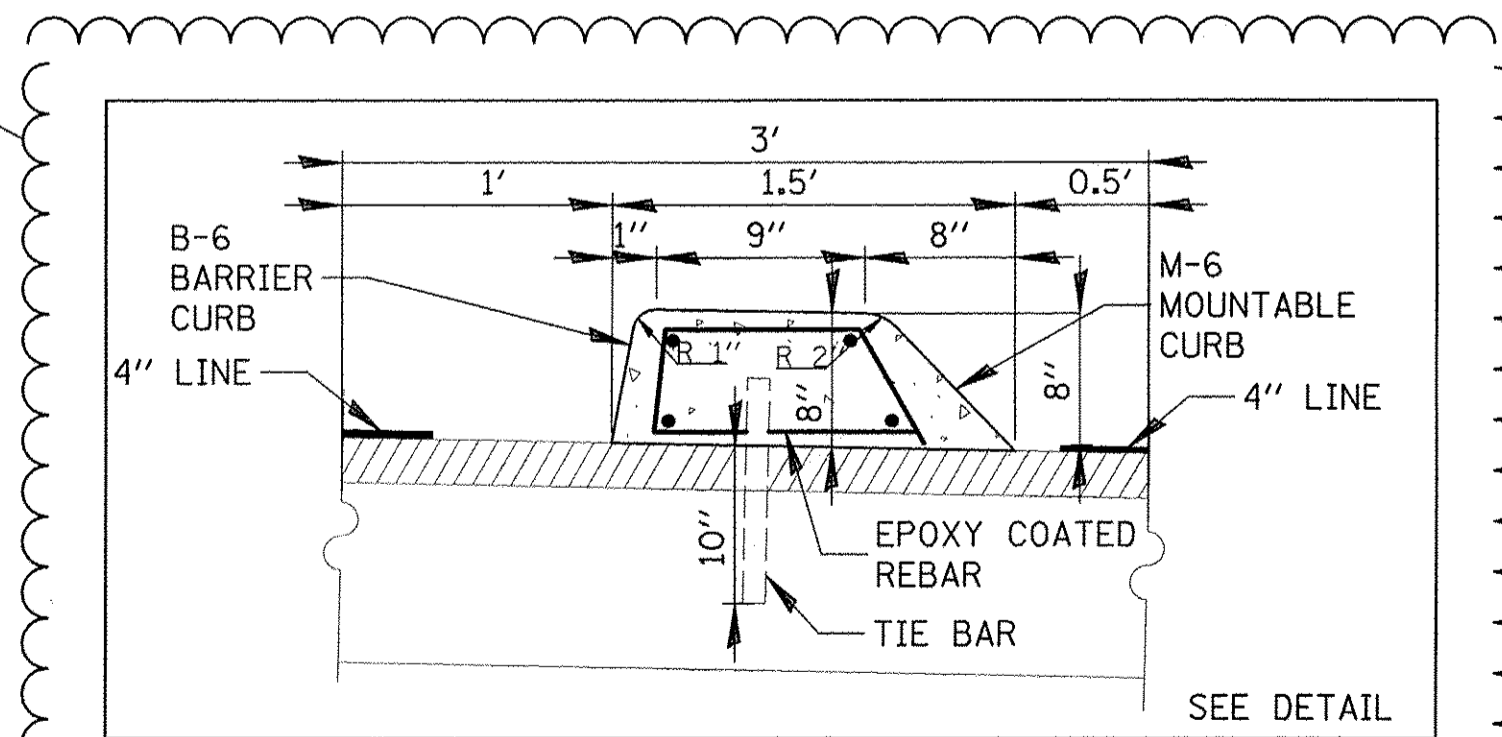
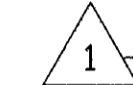
**SHERIDAN ROAD PROPOSED TYPICAL CROSS SECTION
LINCOLN STREET TO SOUTH OF INGLESIDE PLACE
641+00 TO 661+70**



**SHERIDAN ROAD PROPOSED TYPICAL CROSS SECTION
INGLESIDE PLACE TO SOUTH SHERIDAN PLACE
661+70 TO 669+00**

LEGEND

- (A) COMBINATION CURB AND GUTTER REMOVAL (44000500)
- (B) HOT-MIX ASPHALT SURFACE REMOVAL, 2" (44000157)
- (C) CLASS B OR D PATCHES
- (D) PAVEMENT GRINDING (Z0037200)
- (E) EARTH EXCAVATION (20200100)
- (F) REMOVAL AND DISPOSAL OF UNSUITABLE MATERIAL (20201200)
- (G) SIDEWALK REMOVAL (44000600)
- (H) PAVEMENT REMOVAL (44000100)
- (I) HOT-MIX ASPHALT SURFACE REMOVAL, 1 1/2" (44000155)
- (1) TOPSOIL FURNISH AND PLACE, 6" (21101625)
- (2) SODDING, SALT TOLERANT (25200110)
- (3) CLASS D PATCHES
- (4) POLYMERIZED LEVELING BINDER (MACHINE METHOD), IL-4.75 FG, N50; (40600827)
- (5) HOT-MIX ASPHALT BINDER COURSE, IL-19.0; N70; 2 1/2" (40603085)
- (6) HOT-MIX ASPHALT SURFACE COURSE, MIX "D", N70; 1 1/2" (40603340)
- (7) BITUMINOUS MATERIALS (TACK COAT) (40600290)
- (7A) BITUMINOUS MATERIALS (TACK COAT) (40700100)
- (8) AGGREGATE SUBGRADE IMPROVEMENT (30300001)
- (9) CURB AND GUTTER
- (10) SUBBASE GRANULAR MATERIAL, TYPE B 4" (31101200)
- (11) REMOVE AND REINSTALL BRICK PAVER (X0327611)
- (12) PRECAST CONCRETE CURB
- (13) FULL-DEPTH CONCRETE MEDIAN
- (14) PORTLAND CEMENT CONCRETE PAVEMENT (SPECIAL) 9" (LR420010)
- (15) AGGREGATE SUBGRADE IMPROVEMENT 12" (30300112)
- (16) NO. 6 TIE BARS 30" LONG AT 30" CENTERS.
- (17) HOT-MIX ASPHALT PAVEMENT (FULL DEPTH) 8" (40701841)



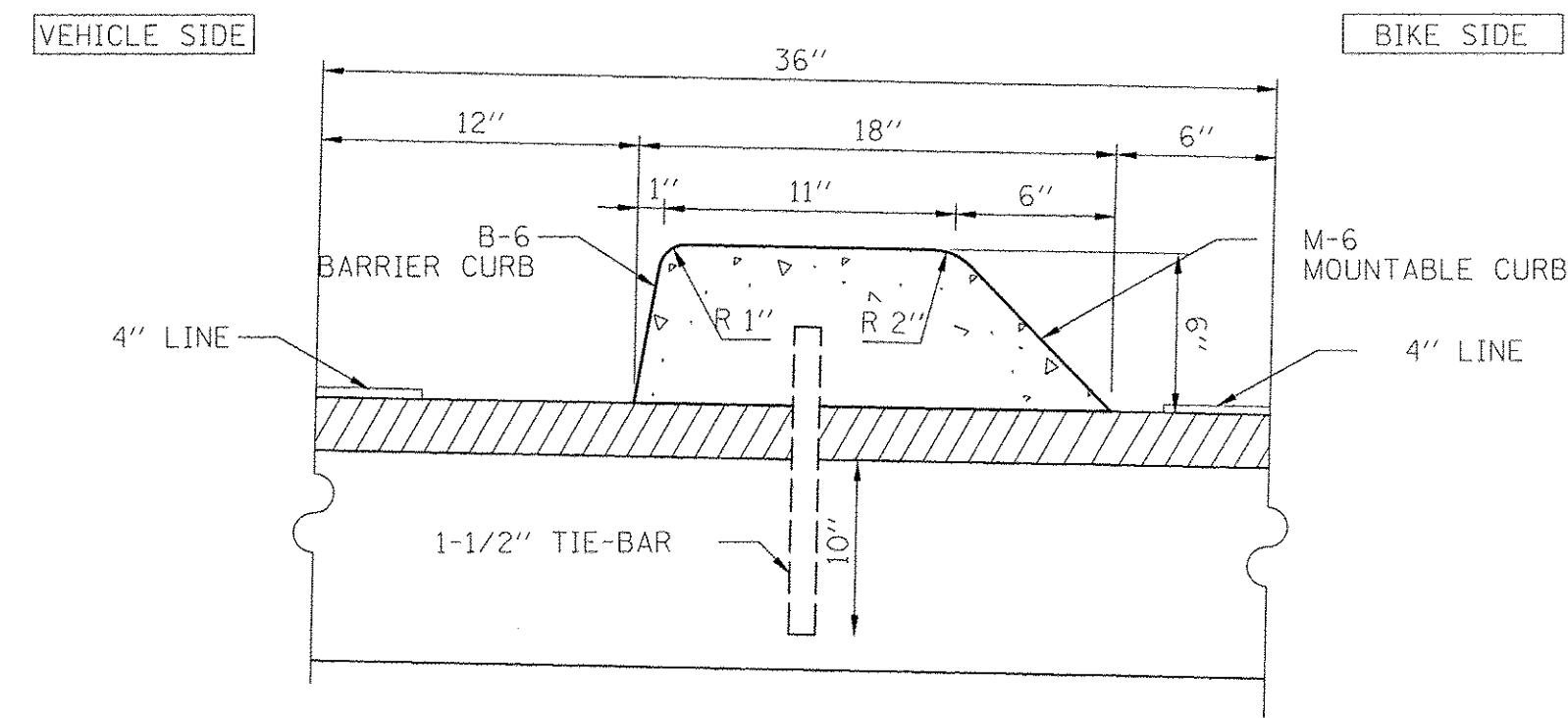
**PRECAST CONCRETE CURB
EAST SIDE OF CHICAGO AVENUE
591+15 TO 602+20
EAST SIDE OF SHERIDAN ROAD
641+00 TO 661+65**

NOTES:

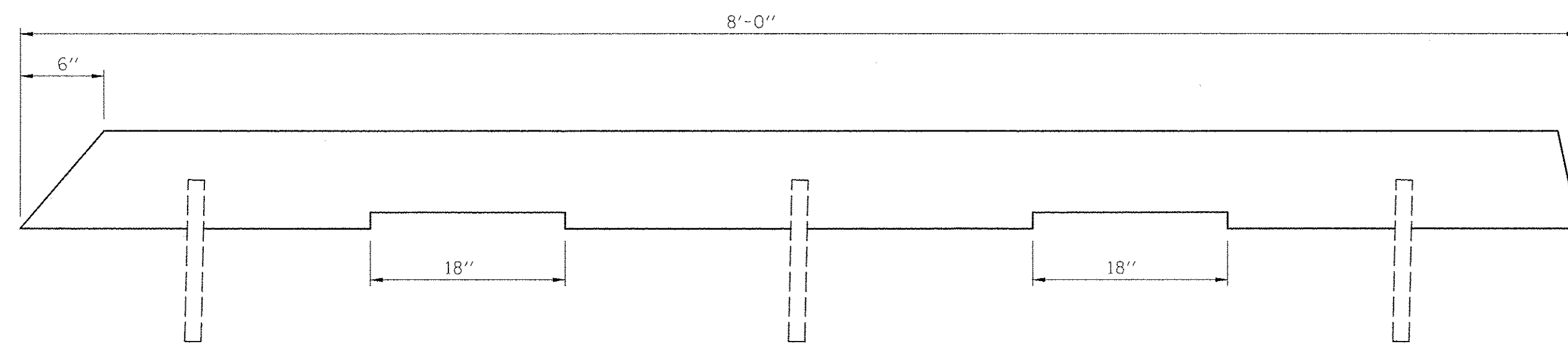
1. THE UNIT WEIGHT USED TO CALCULATE ALL HOT-MIX ASPHALT SURFACE MIXTURE QUANTITIES IS 112 LBS/SY/IN.
2. FOR USE OF RECYCLED MATERIAL SEE SPECIAL PROVISIONS.

* AT LOCATIONS AS DETERMINED BY THE ENGINEER.

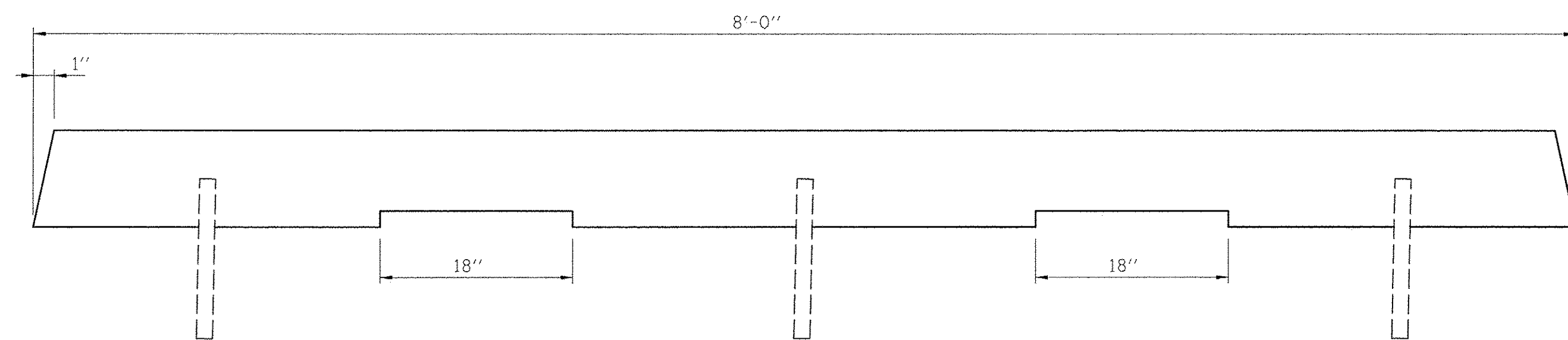
FILE NAME =	USER NAME = mmicholowicz	DESIGNED -	REVISED - 12/30/2016	STATE OF ILLINOIS DEPARTMENT OF TRANSPORTATION	CHICAGO AVE/SHERIDAN RD. TYPICAL SECTIONS	F.A.U. RTE.	SECTION	COUNTY	TOTAL SHEETS	SHEET NO.
N:\EVANSTON\140138.02\Civil\TYP.140138.04	SHT	DRAWN -	REVISED -			2853	14-00273-00-BT	COOK	274	17
Default	PLOT SCALE = 20'	CHECKED -	REVISED -			CONTRACT NO. 61D36			ILLINOIS FED. AID PROJECT	
	PLOT DATE = 12/30/2016	DATE -	REVISED -			SCALE: 1"=20'		SHEET OF SHEETS		STA. TO STA.



SECTION



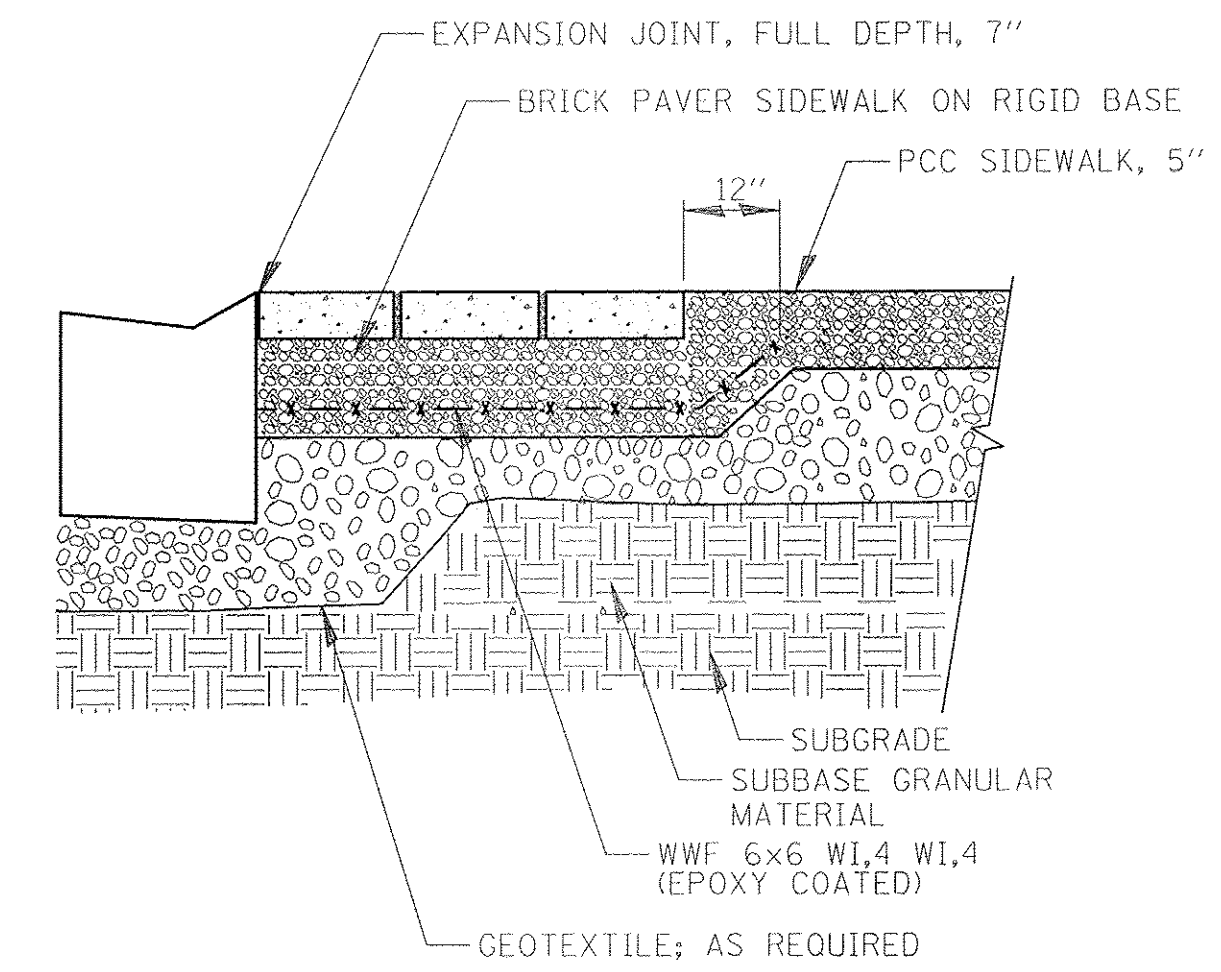
END SECTION ELEVATION



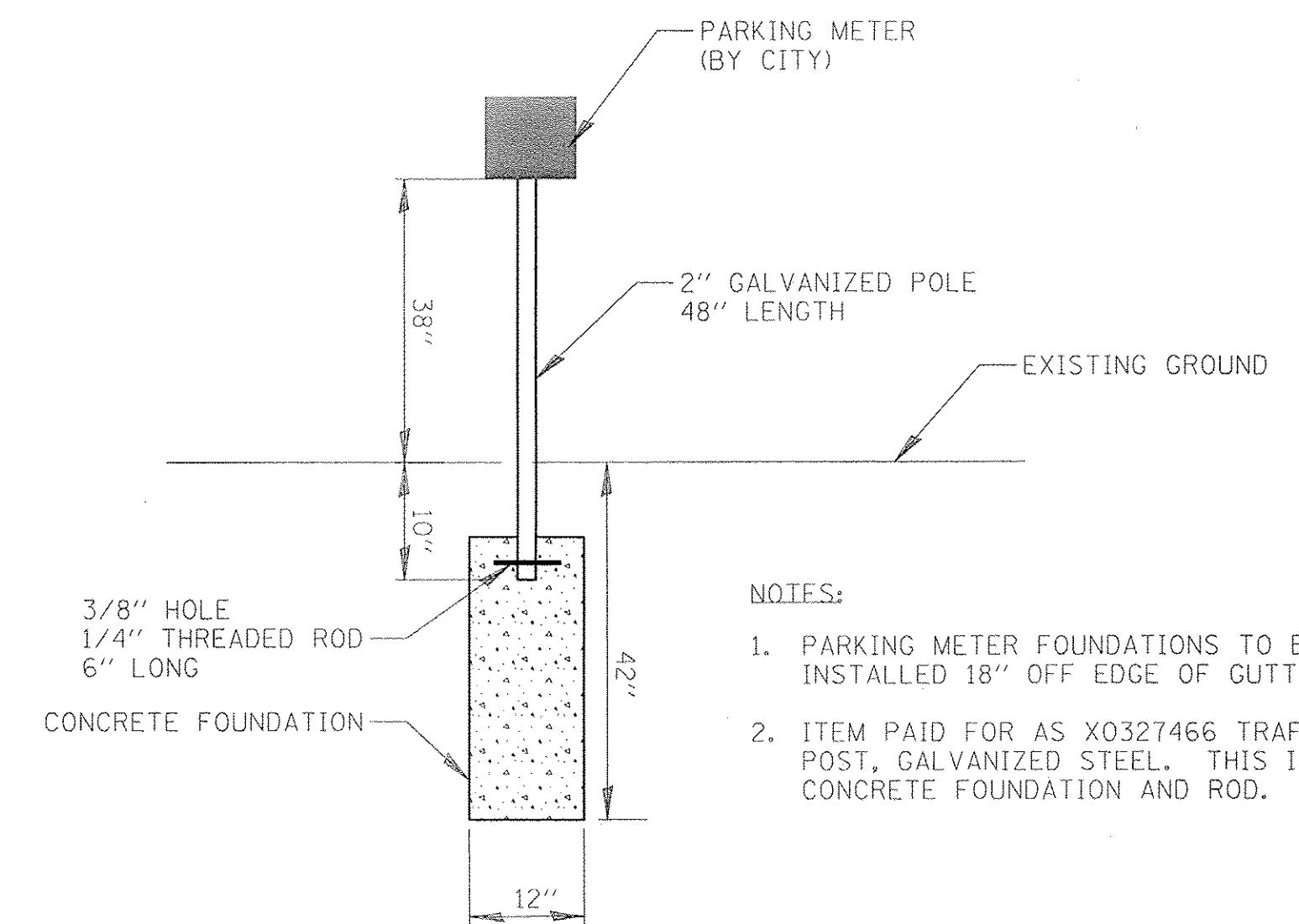
TYPICAL SECTION ELEVATION

1

PRECAST CONCRETE CURB



BRICK SIDEWALK DETAIL



NEW PARKING METER DETAIL

FILE NAME =	USER NAME = mmschalowicz	DESIGNED -	REVISED - 12/30/2016	STATE OF ILLINOIS DEPARTMENT OF TRANSPORTATION	CHICAGO AVE/SHERIDAN RD. CONSTRUCTION DETAILS		F.A.U. RTE.	SECTION	COUNTY	TOTAL SHEETS	SHEET NO.
NA:EVANSTON\140138.02\Civil\CON.140138.02	PH.SHT	DRAWN -	REVISED -				2853	14-00273-00-BT	COOK	274	235
Default	PLOT SCALE = 40'	CHECKED -	REVISED -				CONTRACT NO. 61D36				
	PLOT DATE = 12/30/2016	DATE -	REVISED -				ILLINOIS FED. AID PROJECT				
				SCALE: 1"= 40'	SHEET	OF	SHEETS	STA.	TO	STA.	