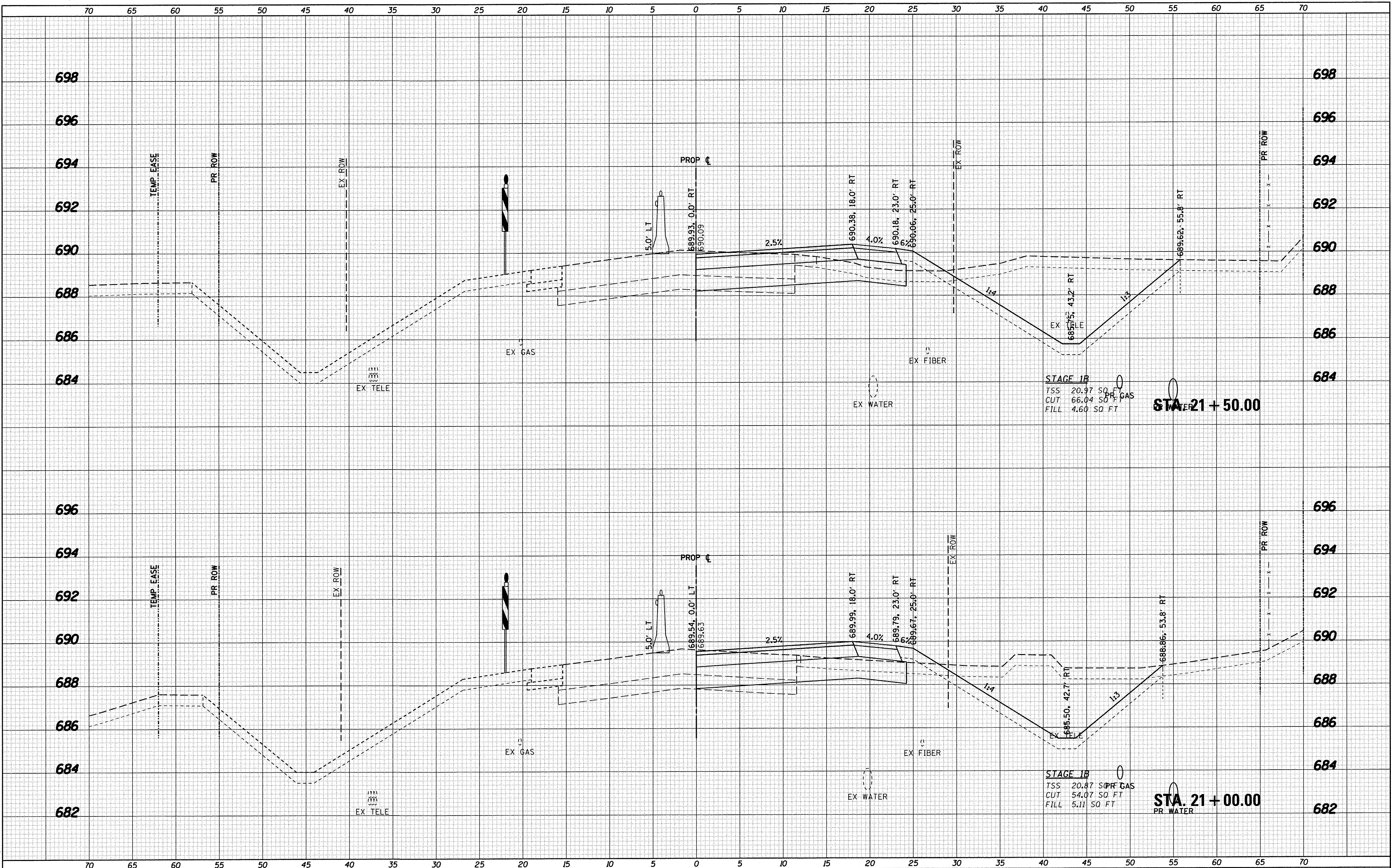


DATE	
BY	
FINAL SURVEY	
PLOTTED	
DATE	
NOTE BOOK	
AREAS CHECKED	
NO.	

DATE	
BY	
ORIGINAL SURVEY	
PLOTTED	
DATE	
NOTE BOOK	
AREAS CHECKED	
NO.	

FILE NAME = W:\Projects\2013\130282_Bltas_Plot\Cadd\Cvt1\Dgn\Shk\X85HT_RDWY-ST1B.dgn



WBK engineering
 WBK ENGINEERING, LLC
 116 WEST MAIN STREET, SUITE 201
 ST. CHARLES, ILLINOIS 60174
 (630) 443-7755

USER NAME = nparris	DESIGNED - SBP	REVISED - 10/17/16
PLLOT SCALE = 1:5	DRAWN - NDP	REVISED -
PLLOT DATE = 10/24/2016	CHECKED - DPB	REVISED -
	DATE - 8/8/16	REVISED -

**STATE OF ILLINOIS
 DEPARTMENT OF TRANSPORTATION**

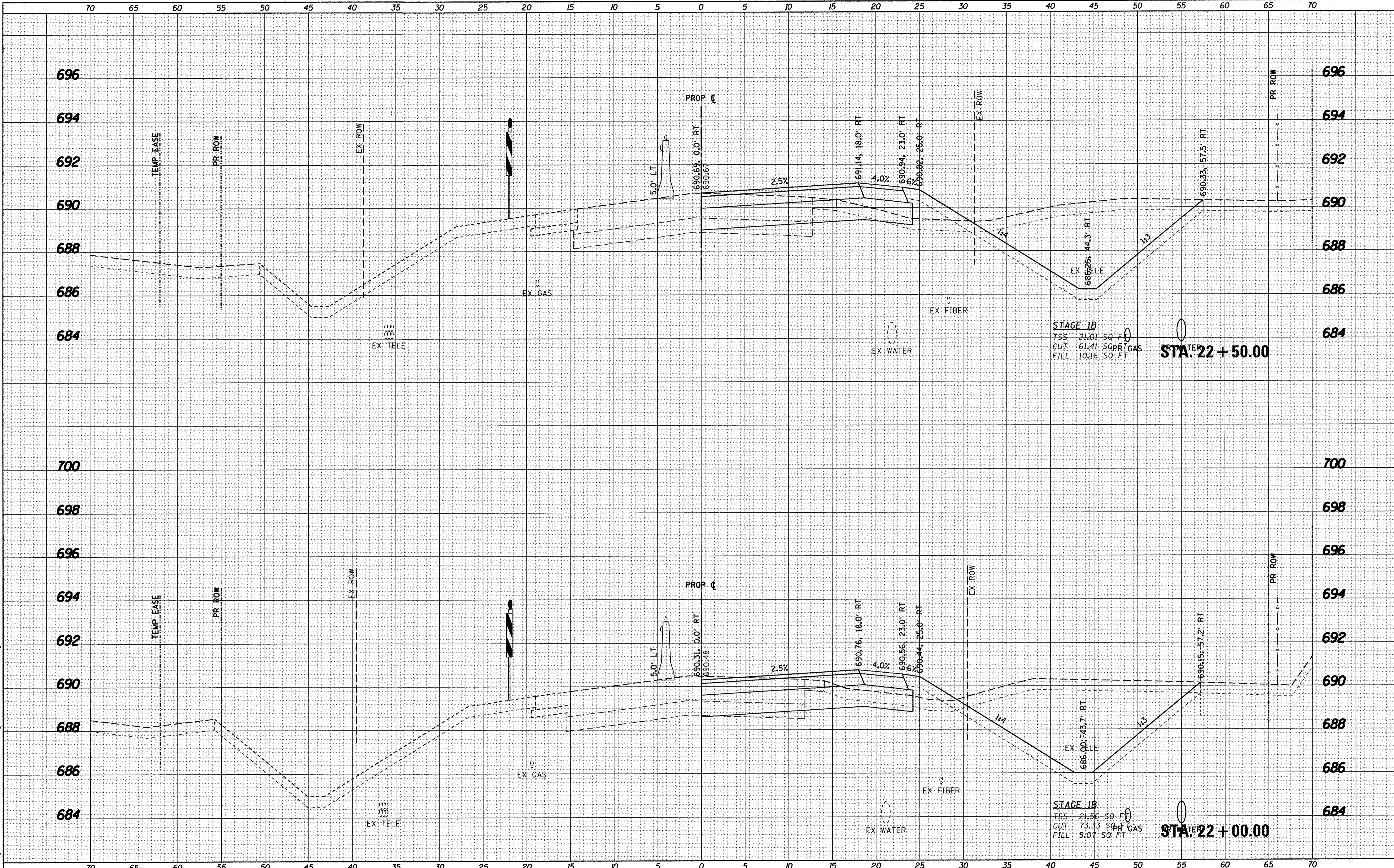
CROSS SECTIONS BLISS ROAD - STAGE 1B		
SCALE: H:5 V:2	SHEET NO. 18 OF 26 SHEETS	STA. 21+00.00 TO STA. 21+50.00

F.A.P. RTE. 520	SECTION 08-00058-02-BR	COUNTY KANE	TOTAL SHEETS 218	SHEET NO. 184
CONTRACT NO. 61D20				
ILLINOIS FED. AID PROJECT				

FINAL SURVEY	DATE
SURVEYED	BY
PLOTTED	
NOTE BOOK	
AREAS CHECKED	
NO.	

ORIGINAL SURVEY	DATE
SURVEYED	BY
PLOTTED	
NOTE BOOK	
AREAS CHECKED	
NO.	

FILE NAME = W:\Projects\2013\130282 - Bliss Rd\Drawings\2013\130282 - Bliss Rd\Drawings\STG1B.dgn



WBK engineering
 WBK ENGINEERING, LLC
 116 WEST MAIN STREET, SUITE 201
 ST. CHARLES, ILLINOIS 60174
 (630) 443-7755

USER NAME = nparr18	DESIGNED - SBP	REVISED - 10/17/16
PLLOT SCALE = 1/5	DRAWN - NDP	REVISED -
PLLOT DATE = 10/24/2016	CHECKED - DPB	REVISED -
	DATE - 8/8/16	REVISED -

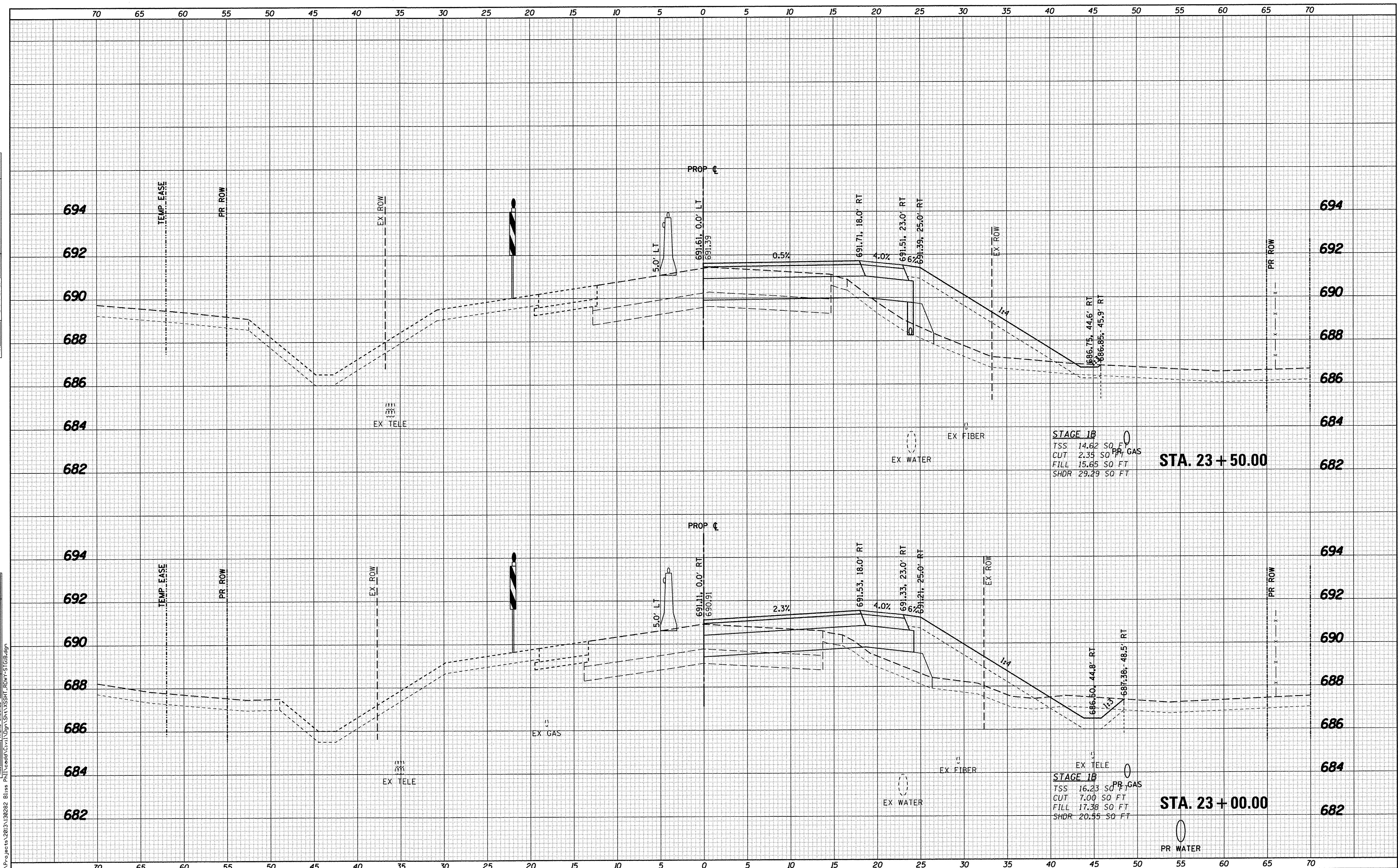
**STATE OF ILLINOIS
 DEPARTMENT OF TRANSPORTATION**

CROSS SECTIONS BLISS ROAD - STAGE 1B	
SCALE: H=5 V=2	SHEET NO. 19 OF 26 SHEETS
STA. 22+00.00 TO STA. 22+50.00	

F.A.P. RTE. 520	SECTION 08-00058-02-BR	COUNTY KANE	TOTAL SHEETS 218	SHEET NO. 185
CONTRACT NO. 61D20				
ILLINOIS FED. AID PROJECT				

BY	DATE
SURVEYED	
PLOTTED	
NOTE BOOK	
AREAS CHECKED	
NO.	

BY	DATE
SURVEYED	
PLOTTED	
NOTE BOOK	
AREAS CHECKED	
NO.	



STAGE 1B
 TSS 14.62 SO FT
 CUT 2.35 SO FT
 FILL 15.65 SO FT
 SHDR 29.29 SO FT

STAGE 1B
 TSS 16.23 SO FT
 CUT 7.00 SO FT
 FILL 17.38 SO FT
 SHDR 20.55 SO FT

WBK engineering
 WBK ENGINEERING, LLC
 116 WEST MAIN STREET, SUITE 201
 ST. CHARLES, ILLINOIS 60174
 (630) 443-7755

USER NAME = nparris	DESIGNED - SBP	REVISED - 10/17/16
PLOT SCALE = 1/5	DRAWN - NDP	REVISED -
PLOT DATE = 10/24/2016	CHECKED - DPB	REVISED -
	DATE - 8/8/16	REVISED -

**STATE OF ILLINOIS
 DEPARTMENT OF TRANSPORTATION**

CROSS SECTIONS			
BLISS ROAD - STAGE 1B			
SCALE: H=5 V=2	SHEET NO. 20 OF 26 SHEETS	STA. 23+00.00 TO STA. 23+50.00	

F.A.P. RTE.	SECTION	COUNTY	TOTAL SHEETS	SHEET NO.
520	08-00058-02-BR	KANE	218	186
CONTRACT NO. 61D20				
ILLINOIS FED. AID PROJECT				

BY	DATE

BY	DATE

FILE NAME = W:\Projects\2013\130282 Bliss PH\cadd\Civil\Draw\9x11\9x11\SSHT_ROWY-ST01B.dgn

WBK
engineering

WBK ENGINEERING, LLC
116 WEST MAIN STREET, SUITE 201
ST. CHARLES, ILLINOIS 60174
(630) 443-7755

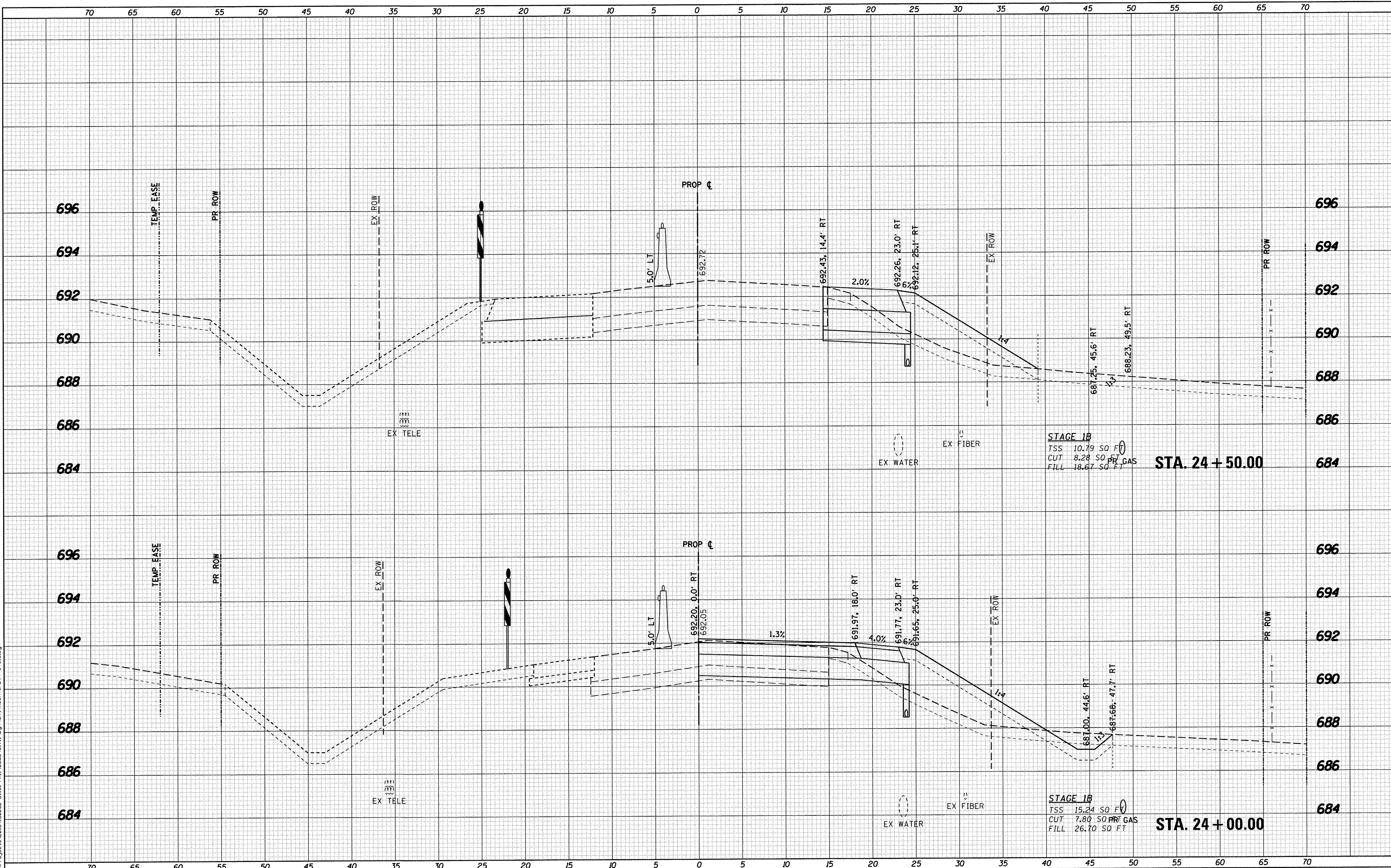
USER NAME = nparris	DESIGNED - SBP	REVISED - 10/17/16
PLOT SCALE = 1:5	DRAWN - NDP	REVISED -
PLOT DATE = 10/24/2016	CHECKED - DPB	REVISED -
	DATE - 8/8/16	REVISED -

**STATE OF ILLINOIS
DEPARTMENT OF TRANSPORTATION**

**CROSS SECTIONS
BLISS ROAD - STAGE 1B**

SCALE: H:5 V:2 SHEET NO. 21 OF 26 SHEETS STA. 24+00.00 TO STA. 24+50.00

F.A.P. RTE. 520	SECTION 08-00058-02-BR	COUNTY KANE	TOTAL SHEETS 218	SHEET NO. 187
CONTRACT NO. 61D20			ILLINOIS FED. AID PROJECT	



STAGE 1B
TSS 10.79 SO FT
CUT 8.28 SO FT
FILL 18.67 SO FT

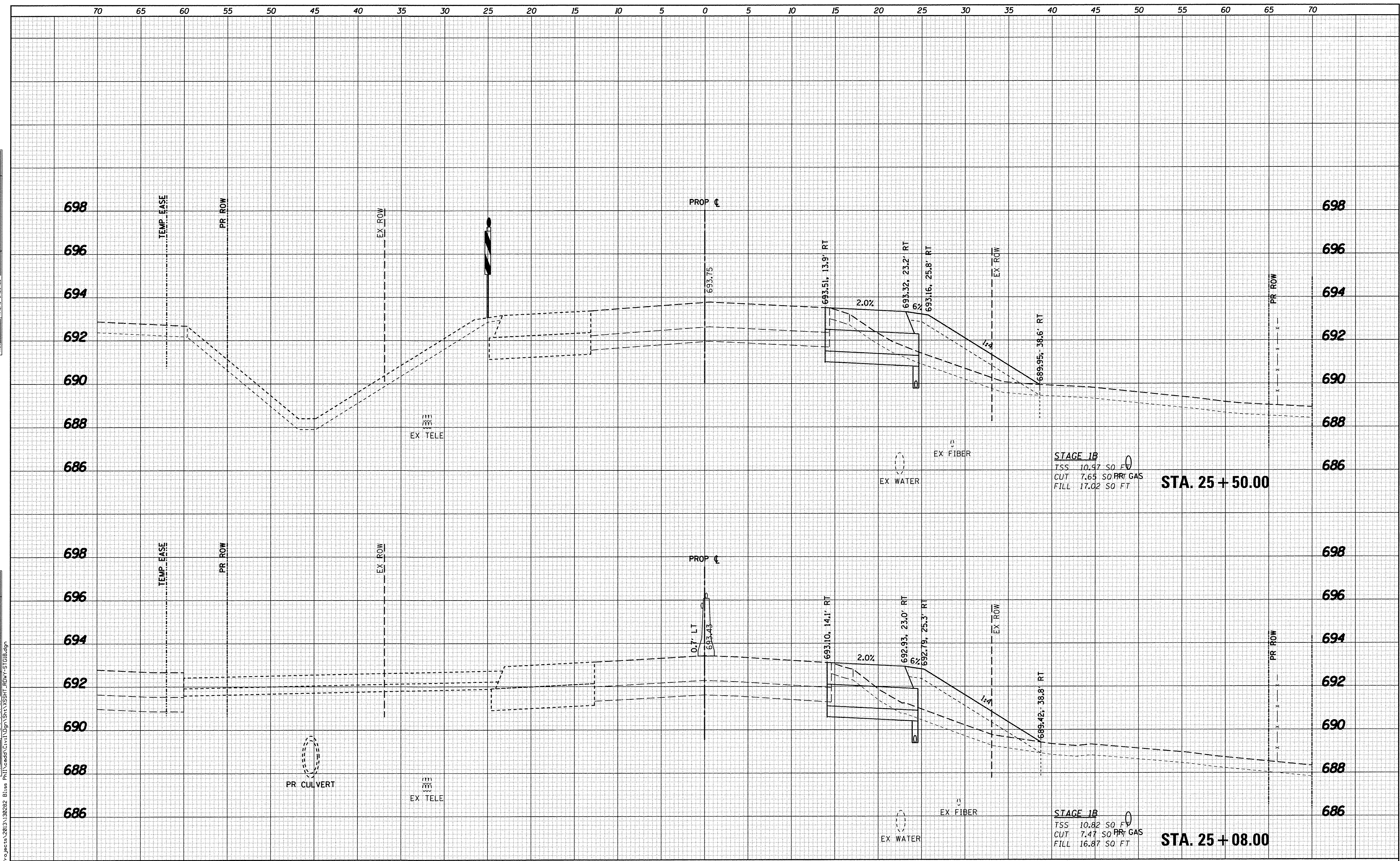
STA. 24 + 50.00

STAGE 1B
TSS 15.24 SO FT
CUT 7.80 SO FT
FILL 26.70 SO FT

STA. 24 + 00.00

DATE	
BY	
SURVEYED	
PLOTTED	
NOTE BOOK	
AREAS CHECKED	
NO.	

DATE	
BY	
SURVEYED	
PLOTTED	
NOTE BOOK	
AREAS CHECKED	
NO.	



STAGE 1B
 TSS 10.97 SQ. FT
 CUT 7.63 SQ. FT
 FILL 17.02 SQ. FT

STA. 25 + 50.00

STAGE 1B
 TSS 10.82 SQ. FT
 CUT 7.47 SQ. FT
 FILL 16.87 SQ. FT

STA. 25 + 08.00

WBK engineering
 WBK ENGINEERING, LLC
 116 WEST MAIN STREET, SUITE 201
 ST. CHARLES, ILLINOIS 60174
 (630) 443-7755

USER NAME = nparris	DESIGNED - SBP	REVISED - 10/17/16
PLLOT SCALE = 1:5	DRAWN - NDP	REVISED -
PLLOT DATE = 10/24/2016	CHECKED - DPB	REVISED -
	DATE - 8/8/16	REVISED -

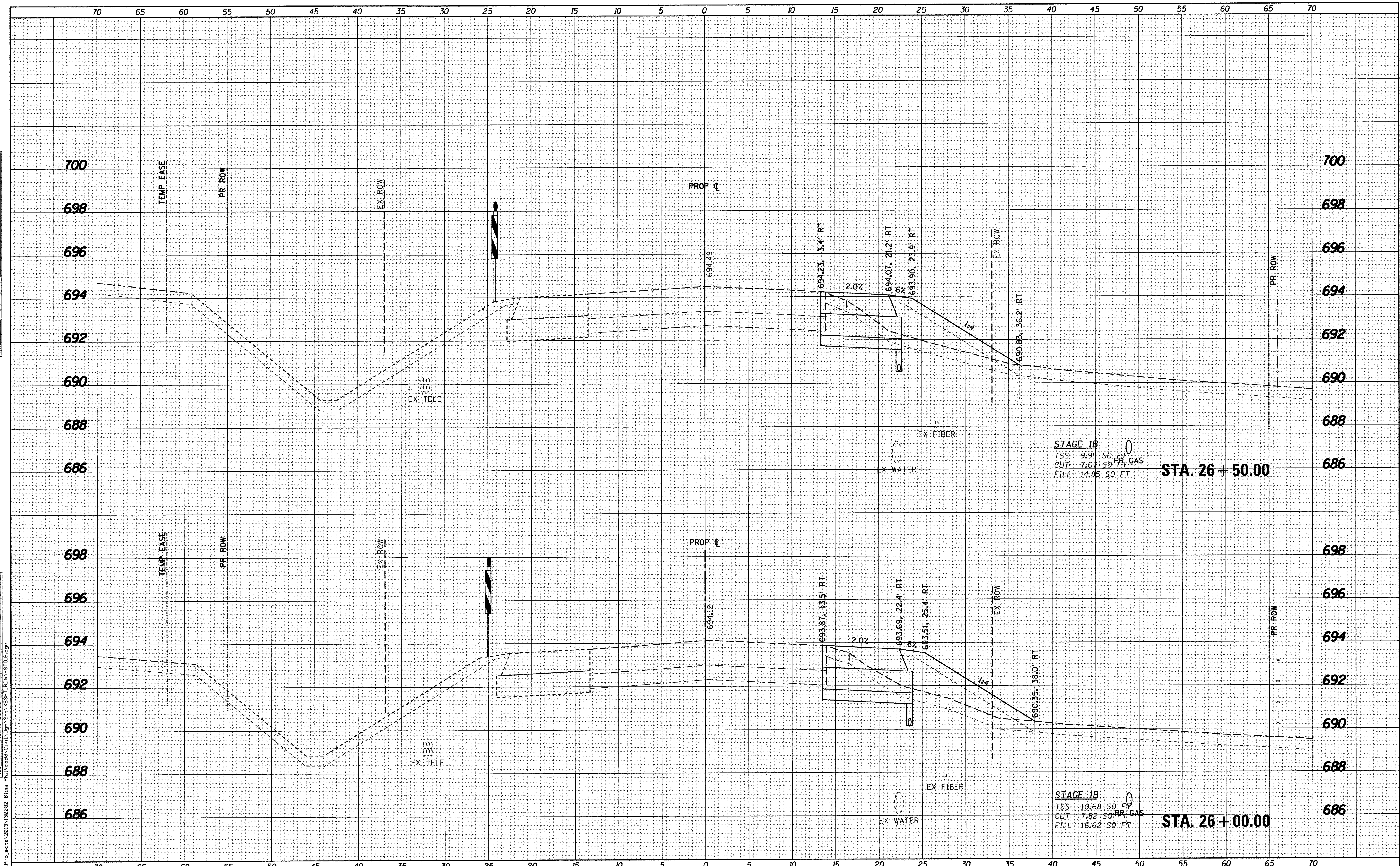
**STATE OF ILLINOIS
 DEPARTMENT OF TRANSPORTATION**

CROSS SECTIONS	
BLISS ROAD - STAGE 1B	
SCALE: H=5 V=2	SHEET NO. 22 OF 26 SHEETS
STA. 25+08.00 TO STA. 25+50.00	

F.A.P. RTE.	SECTION	COUNTY	TOTAL SHEETS	SHEET NO.
520	08-00058-02-BR	KANE	218	188
				CONTRACT NO. 61D20
ILLINOIS FED. AID PROJECT				

FINAL SURVEY	DATE
SURVEYED	
PLOTTED	
DATE	
AREAS	
CHECKED	
NO.	

ORIGINAL SURVEY	DATE
SURVEYED	
PLOTTED	
DATE	
AREAS	
CHECKED	
NO.	



STAGE 1B
 TSS 9.95 SO FT
 CUT 7.07 SO FT
 FILL 14.85 SO FT

STA. 26+50.00

STAGE 1B
 TSS 10.68 SO FT
 CUT 7.82 SO FT
 FILL 16.62 SO FT

STA. 26+00.00

WBK engineering
 WBK ENGINEERING, LLC
 116 WEST MAIN STREET, SUITE 201
 ST. CHARLES, ILLINOIS 60174
 (630) 443-7755

USER NAME = nparris	DESIGNED - SBP	REVISED - 10/17/16
	DRAWN - NDP	REVISED -
PLOT SCALE = 1:5	CHECKED - DPB	REVISED -
PLOT DATE = 10/24/2016	DATE - 8/8/16	REVISED -

**STATE OF ILLINOIS
 DEPARTMENT OF TRANSPORTATION**

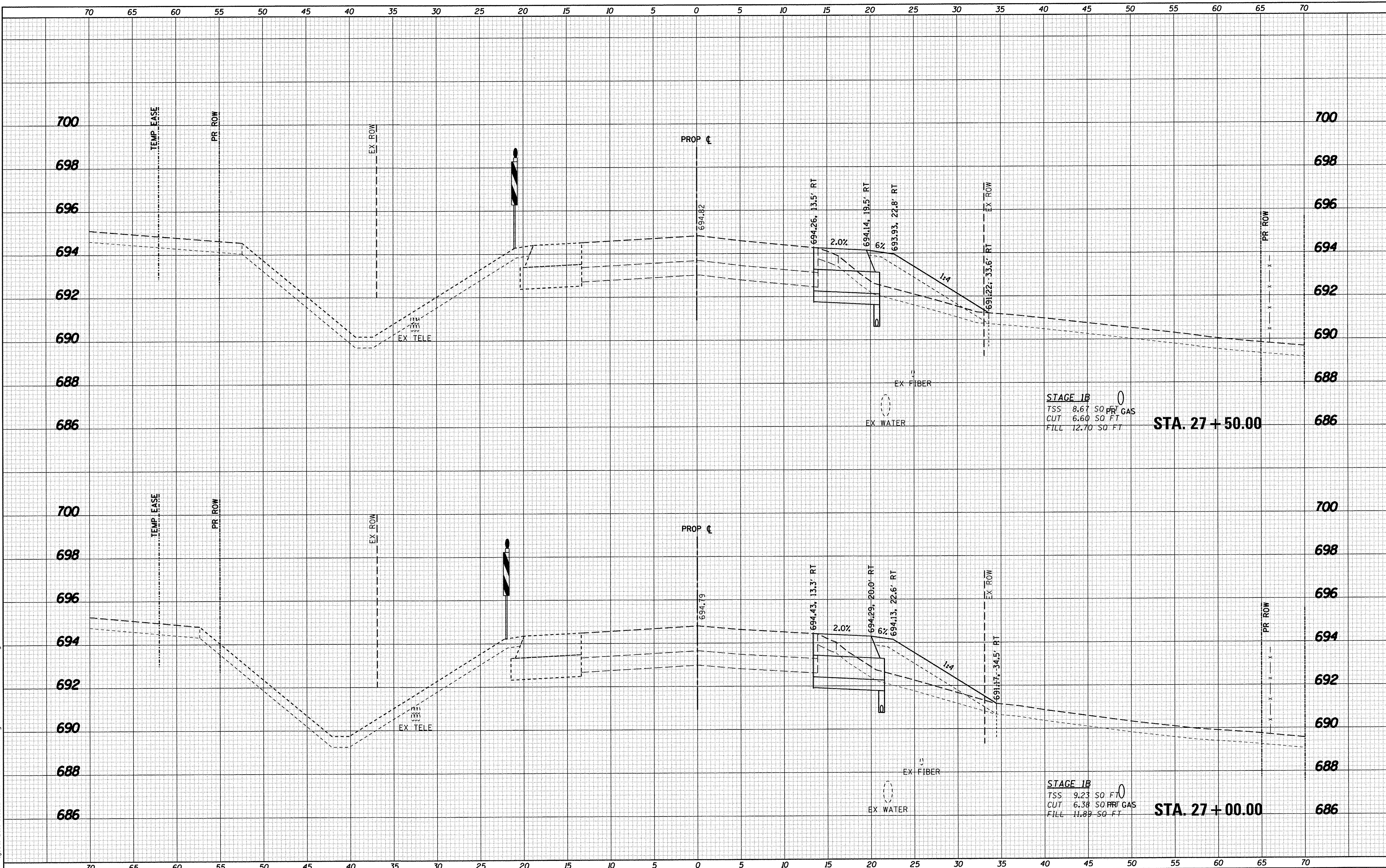
CROSS SECTIONS BLISS ROAD - STAGE 1B	
SCALE: H:5 V:2	SHEET NO. 23 OF 26 SHEETS
STA. 26+00.00 TO STA. 26+50.00	

F.A.P. RTE. 520	SECTION 08-00058-02-BR	COUNTY KANE	TOTAL SHEETS 218	SHEET NO. 189
CONTRACT NO. 61D20				ILLINOIS FED. AID PROJECT

FINAL SURVEY	DATE
SURVEYED	
PLOTTED	
NOTE BOOK	
AREAS CHECKED	
NO.	

ORIGINAL SURVEY	DATE
SURVEYED	
PLOTTED	
NOTE BOOK	
AREAS CHECKED	
NO.	

FILE NAME = \\projects\2013\130282 Bliss\11\cadd\cvt\0gn\5h\X\SSHT_ROW\5-TGIB.dgn



STAGE 1B
 TSS 8.67 SO PR GAS
 CUT 6.60 SO FT
 FILL 12.70 SO FT

STA. 27 + 50.00

STAGE 1B
 TSS 9.23 SO FT
 CUT 6.38 SO PR GAS
 FILL 11.89 SO FT

STA. 27 + 00.00

WBK engineering
 WBK ENGINEERING, LLC
 116 WEST MAIN STREET, SUITE 201
 ST. CHARLES, ILLINOIS 60174
 (630) 443-7755

USER NAME = nparr18	DESIGNED - SBP	REVISED - 10/17/16
PLLOT SCALE = 1:5	DRAWN - NDP	REVISED -
PLLOT DATE = 10/24/2016	CHECKED - DPB	REVISED -
	DATE - 8/8/16	REVISED -

**STATE OF ILLINOIS
 DEPARTMENT OF TRANSPORTATION**

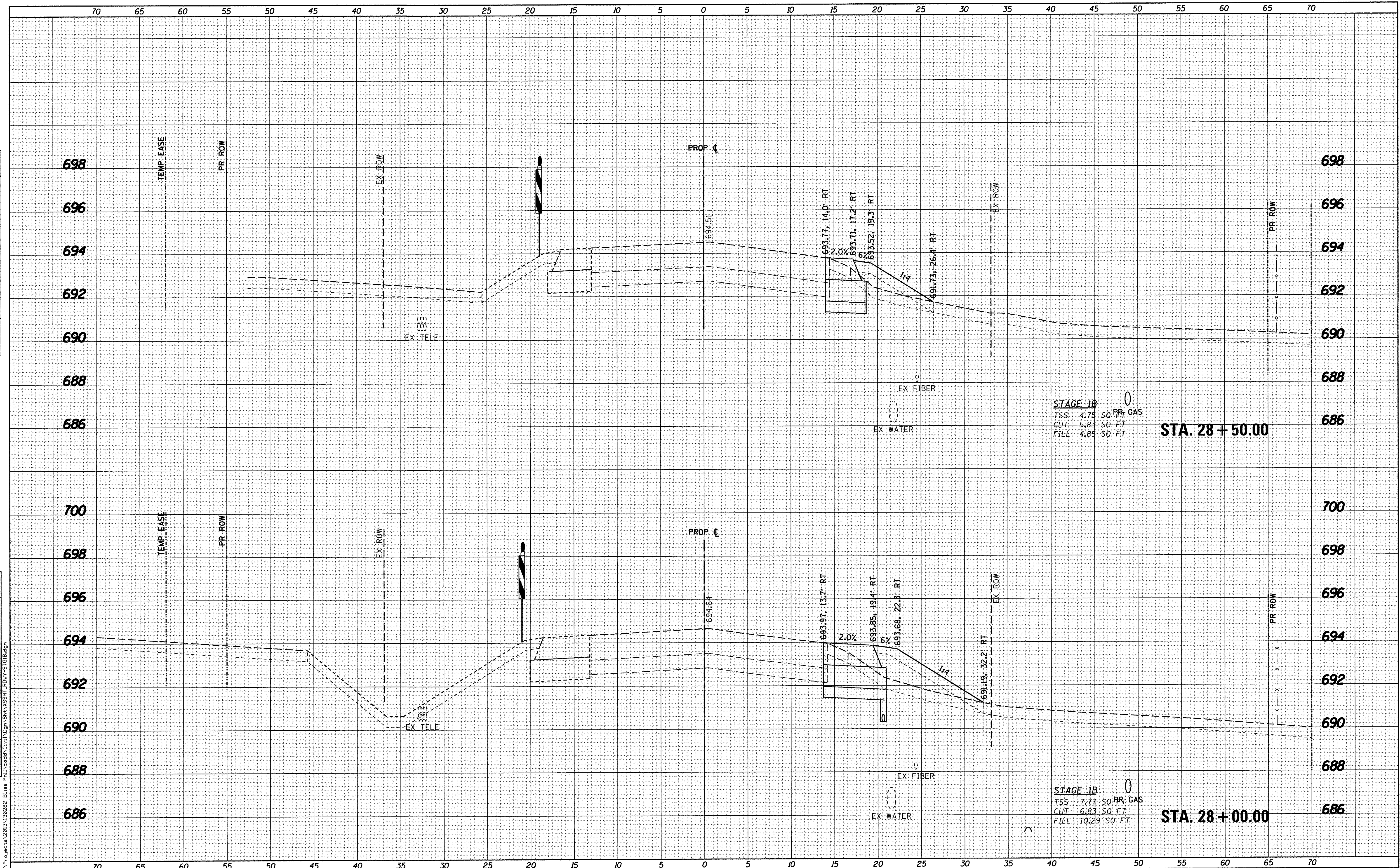
CROSS SECTIONS		
BLISS ROAD - STAGE 1B		
SCALE: H:5 V:2	SHEET NO. 24 OF 26 SHEETS	STA. 27+00.00 TO STA. 27+50.00

F.A.P. RTE.	SECTION	COUNTY	TOTAL SHEETS	SHEET NO.
520	08-00058-02-BR	KANE	218	190
CONTRACT NO. 61D20			ILLINOIS FED. AID PROJECT	

DATE	
BY	
SURVEYED	
PLOTTED	
NOTED	
AREAS CHECKED	
NO.	

DATE	
BY	
ORIGINAL SURVEY	
PLOTTED	
NOTED	
AREAS CHECKED	
NO.	

FILE NAME = W:\Projects\2013\130282 - Bliss\Drawings\STAGE 1B.dgn



STAGE 1B
 TSS 4.75 SO PR: GAS
 CUT 5.83 SO FT
 FILL 4.85 SO FT

STA. 28 + 50.00

STAGE 1B
 TSS 7.77 SO PR: GAS
 CUT 6.83 SO FT
 FILL 10.29 SO FT

STA. 28 + 00.00

WBK engineering
 WBK ENGINEERING, LLC
 116 WEST MAIN STREET, SUITE 201
 ST. CHARLES, ILLINOIS 60174
 (630) 443-7755

USER NAME = nparr18	DESIGNED - SBP	REVISED - 10/17/16
PLOT SCALE = 1:5	DRAWN - NDP	REVISED -
PLOT DATE = 10/24/2016	CHECKED - DPB	REVISED -
	DATE - 8/8/16	REVISED -

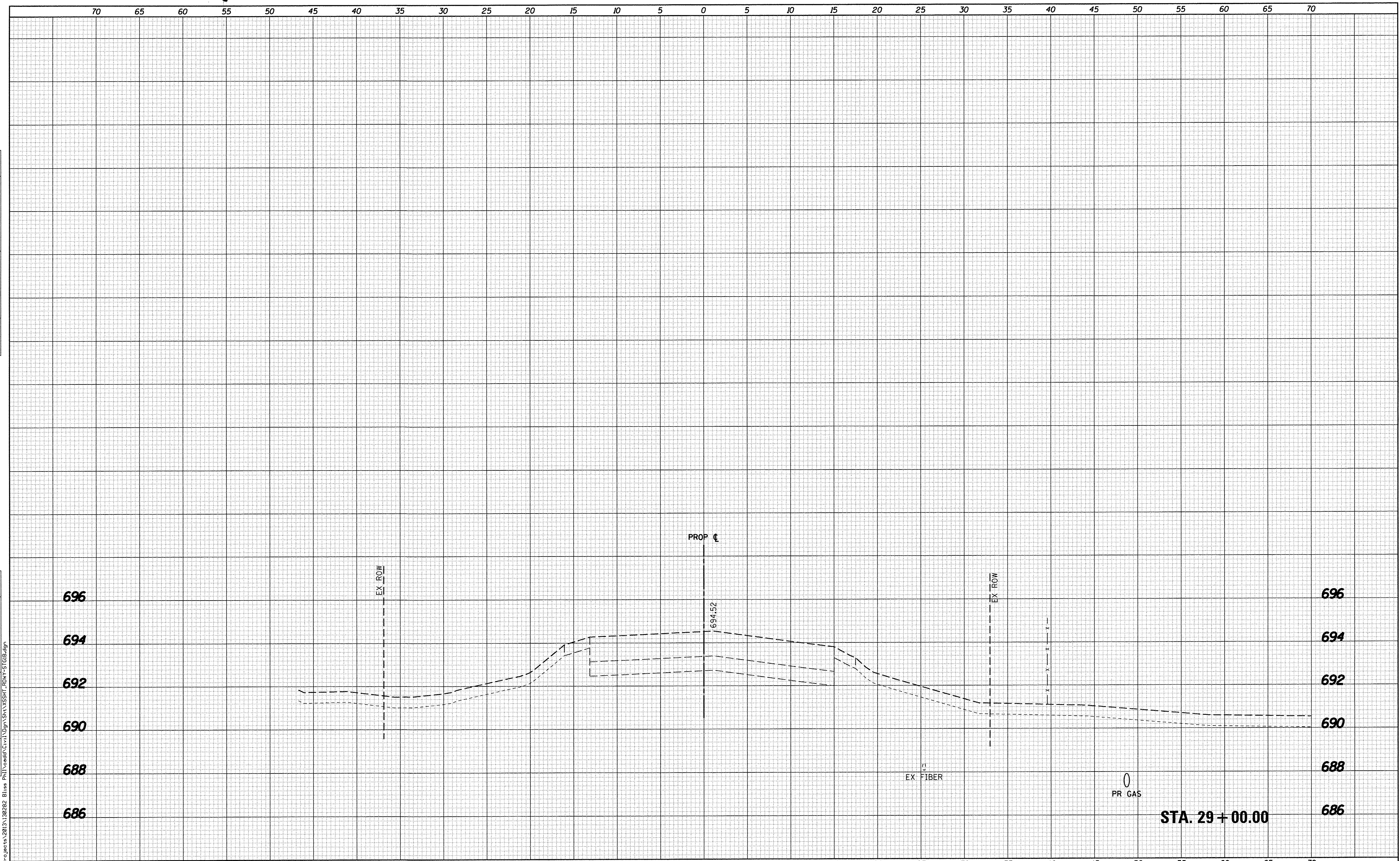
**STATE OF ILLINOIS
 DEPARTMENT OF TRANSPORTATION**

CROSS SECTIONS	
BLISS ROAD - STAGE 1B	
SCALE: H:5 V:2	SHEET NO. 25 OF 26 SHEETS
STA. 28+00.00 TO STA. 28+50.00	

F.A.P. RTE.	SECTION	COUNTY	TOTAL SHEETS	SHEET NO.
520	08-00058-02-BR	KANE	218	191
CONTRACT NO. 61D20				
ILLINOIS FED. AID PROJECT				

FINAL SURVEY	DATE
SURVEYED	
NOTED	
AREAS CHECKED	
NO.	

ORIGINAL SURVEY	DATE
SURVEYED	
NOTED	
AREAS CHECKED	
NO.	



WBK engineering
 WBK ENGINEERING, LLC
 116 WEST MAIN STREET, SUITE 201
 ST. CHARLES, ILLINOIS 60174
 (630) 443-7755

USER NAME = nparris	DESIGNED - SBP	REVISED - 10/17/16
PLOT SCALE = 1:5	DRAWN - NDP	REVISED -
PLOT DATE = 10/24/2016	CHECKED - DPB	REVISED -
	DATE - 8/8/16	REVISED -

STATE OF ILLINOIS
 DEPARTMENT OF TRANSPORTATION

CROSS SECTIONS	
BLISS ROAD - STAGE 1B	
SCALE: H=5 V=2	SHEET NO. 26 OF 26 SHEETS
STA. 29+00.00 TO STA. 29+00.00	

F.A.P. RTE.	SECTION	COUNTY	TOTAL SHEETS	SHEET NO.
520	08-00058-02-BR	KANE	218	192
				CONTRACT NO. 61D20
ILLINOIS FED. AID PROJECT				

FILE NAME = W:\Projects\2017\130282 - Bliss Rd\Road\Civil\Drawn\Sh\X\SSHT_PDWY-STG1B.dgn

STAGE 2 NOTES

STAGE 2 OPERATIONS (MILLING/LEVELING & FINAL PAVING) WILL BE COMPLETED IN STAGE 2 PRIOR TO REMOVING TRAFFIC CONTROL AND DETOUR.

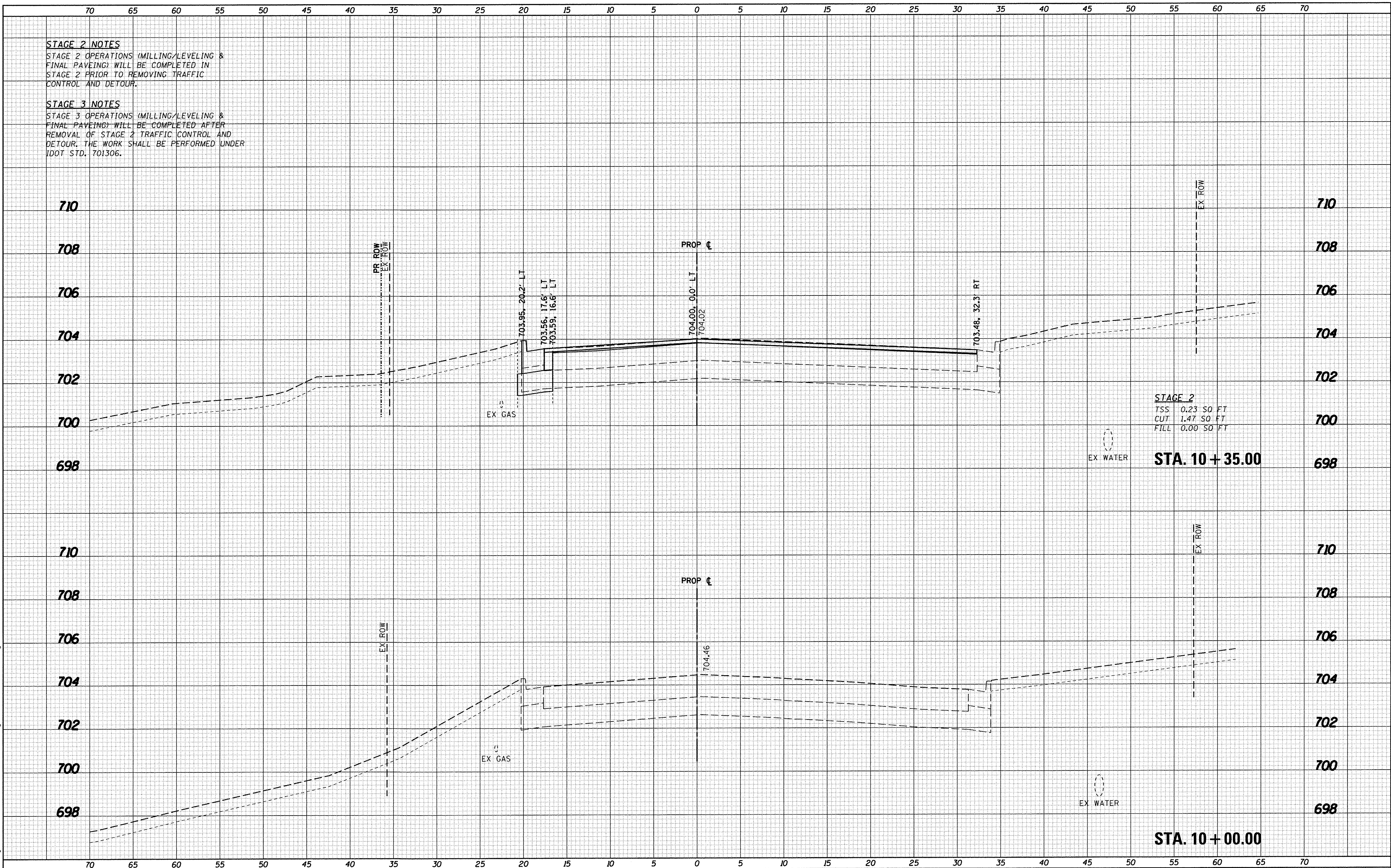
STAGE 3 NOTES

STAGE 3 OPERATIONS (MILLING/LEVELING & FINAL PAVING) WILL BE COMPLETED AFTER REMOVAL OF STAGE 2 TRAFFIC CONTROL AND DETOUR. THE WORK SHALL BE PERFORMED UNDER IDOT STD. 701306.

DATE	
BY	
FINAL SURVEY	
PLOTTED	
NOTE BOOK	
AREAS CHECKED	
NO.	

DATE	
BY	
ORIGINAL SURVEY	
PLOTTED	
NOTE BOOK	
AREAS CHECKED	
NO.	

FILE NAME = W:\Projects\2013\130282_Bias_Plot\Road\Cv1\Drawn\Shk\SSHT_RDMY-STG2.dgn



STAGE 2
 TSS 0.23 SO FT
 CUT 1.47 SO FT
 FILL 0.00 SO FT

STA. 10 + 35.00

STA. 10 + 00.00

WBK engineering
 WBK ENGINEERING, LLC
 116 WEST MAIN STREET, SUITE 201
 ST. CHARLES, ILLINOIS 60174
 (630) 443-7755

USER NAME = nparr18	DESIGNED - SBP	REVISED - 10/17/16
PLLOT SCALE = 1/4"	DRAWN - NDP	REVISED -
PLLOT DATE = 10/24/2016	CHECKED - DPB	REVISED -
	DATE - 8/8/16	REVISED -

**STATE OF ILLINOIS
 DEPARTMENT OF TRANSPORTATION**

CROSS SECTIONS	
BLISS ROAD - STAGES 2 & 3	
SCALE: H=5 V=2	SHEET NO. 1 OF 26 SHEETS
STA. 10+00.00 TO STA. 10+35.00	

F.A.P. RTE. 520	SECTION 08-00058-02-BR	COUNTY KANE	TOTAL SHEETS 218	SHEET NO. 193
CONTRACT NO. 61D20				ILLINOIS FED. AID PROJECT

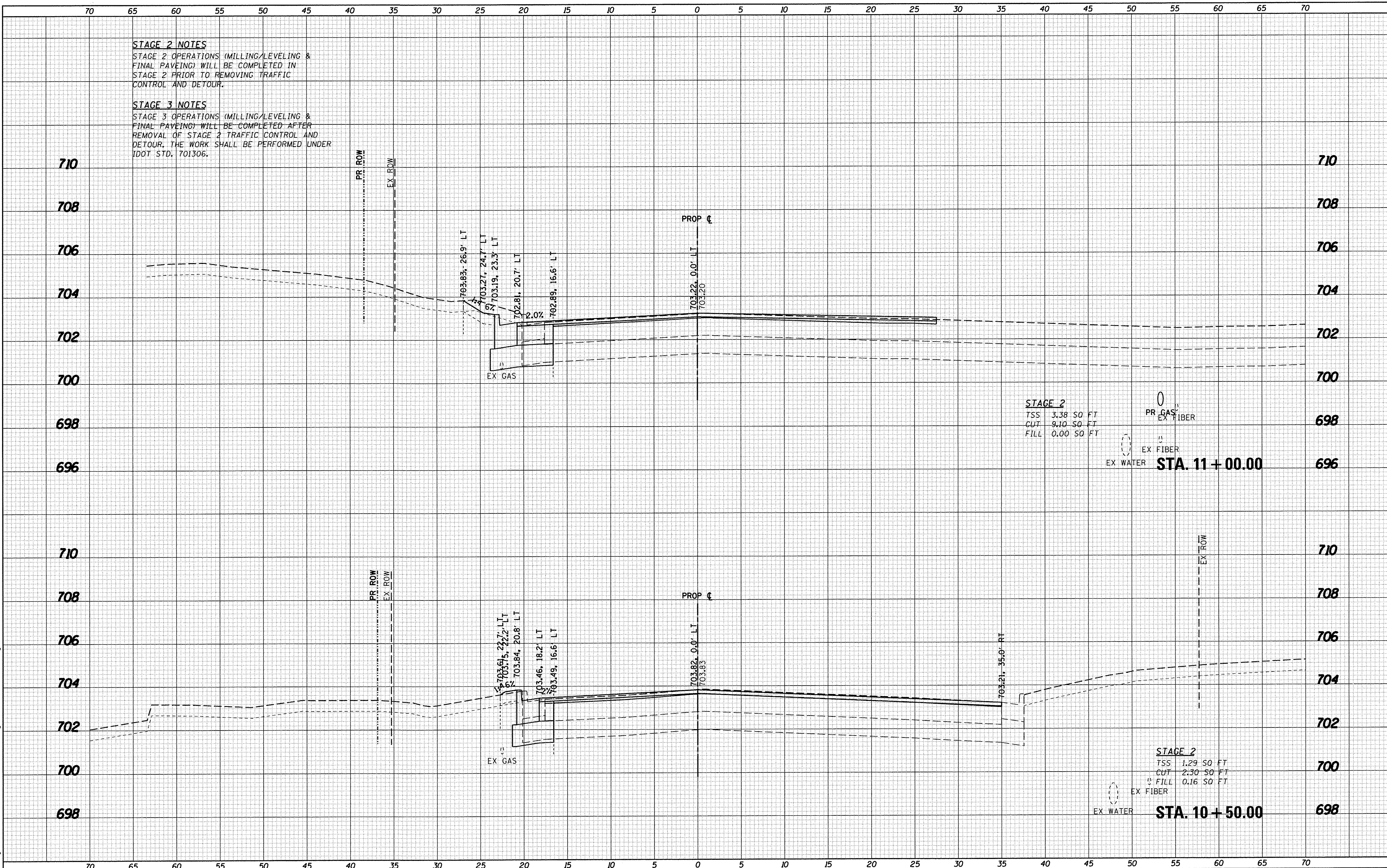
STAGE 2 NOTES
 STAGE 2 OPERATIONS (MILLING/LEVELING & FINAL PAVING) WILL BE COMPLETED IN STAGE 2 PRIOR TO REMOVING TRAFFIC CONTROL AND DETOUR.

STAGE 3 NOTES
 STAGE 3 OPERATIONS (MILLING/LEVELING & FINAL PAVING) WILL BE COMPLETED AFTER REMOVAL OF STAGE 2 TRAFFIC CONTROL AND DETOUR. THE WORK SHALL BE PERFORMED UNDER IDOT STD. 701306.

DATE	
BY	
SURVEYED	
PLOTTED	
DATE	
AREAS CHECKED	
FINAL SURVEY	
NOTE BOOK	
NO.	

DATE	
BY	
SURVEYED	
PLOTTED	
DATE	
AREAS CHECKED	
ORIGINAL SURVEY	
NOTE BOOK	
NO.	

FILE NAME = W:\Projects\2013\130282 - Bliss Rd\Drawings\Sheet\ROW-STG2.dwg



STAGE 2
 TSS 3.38 SO FT
 CUT 9.10 SO FT
 FILL 0.00 SO FT

PR GAS
 EX FIBER
 EX WATER
STA. 11 + 00.00

STAGE 2
 TSS 1.29 SO FT
 CUT 2.30 SO FT
 FILL 0.16 SO FT

EX FIBER
 EX WATER
STA. 10 + 50.00

WBK engineering
 WBK ENGINEERING, LLC
 116 WEST MAIN STREET, SUITE 201
 ST. CHARLES, ILLINOIS 60174
 (630) 443-7755

USER NAME = nparris	DESIGNED - SBP	REVISED - 10/17/16
PLOT SCALE = 1:5	DRAWN - NDP	REVISED -
PLOT DATE = 10/24/2016	CHECKED - DPB	REVISED -
	DATE - 8/8/16	REVISED -

**STATE OF ILLINOIS
 DEPARTMENT OF TRANSPORTATION**

CROSS SECTIONS
BLISS ROAD - STAGES 2 & 3

SCALE: H=5 V=2 SHEET NO. 2 OF 26 SHEETS STA. 10+50.00 TO STA. 11+00.00

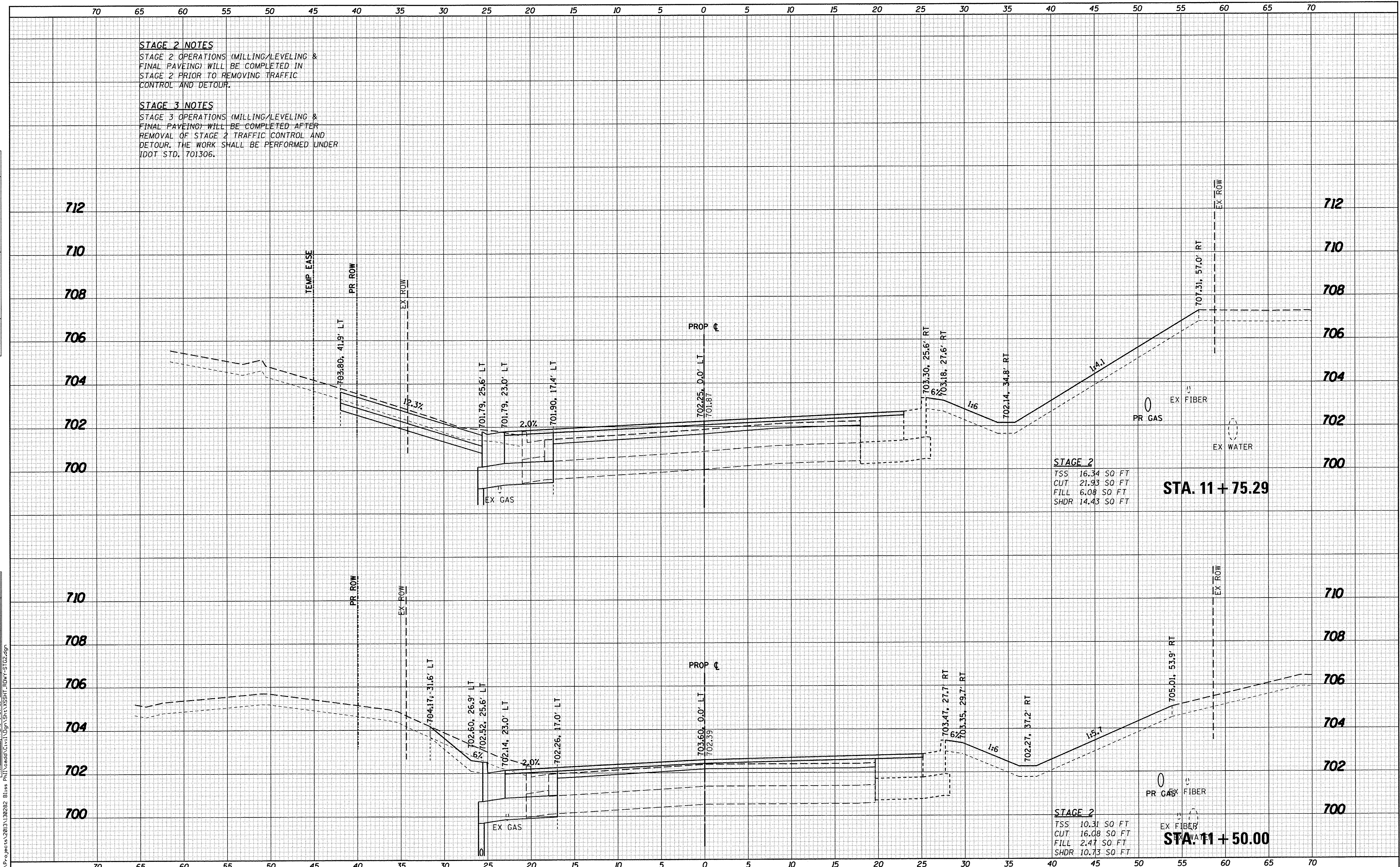
F.A.P. RTE. 520	SECTION 08-00058-02-BR	COUNTY KANE	TOTAL SHEETS 218	SHEET NO. 194
CONTRACT NO. 61D20				
ILLINOIS FED. AID PROJECT				

STAGE 2 NOTES
 STAGE 2 OPERATIONS (MILLING/LEVELING & FINAL PAVING) WILL BE COMPLETED IN STAGE 2 PRIOR TO REMOVING TRAFFIC CONTROL AND DETOUR.

STAGE 3 NOTES
 STAGE 3 OPERATIONS (MILLING/LEVELING & FINAL PAVING) WILL BE COMPLETED AFTER REMOVAL OF STAGE 2 TRAFFIC CONTROL AND DETOUR. THE WORK SHALL BE PERFORMED UNDER IDOT STD. 701306.

DATE	
BY	
SURVEYED	
PLOTTED	
DATE	
AREAS CHECKED	
NO.	

DATE	
BY	
SURVEYED	
PLOTTED	
DATE	
AREAS CHECKED	
NO.	



STAGE 2
 TSS 16.34 SO FT
 CUT 21.93 SO FT
 FILL 6.08 SO FT
 SHDR 14.43 SO FT

STA. 11 + 75.29

STAGE 2
 TSS 10.31 SO FT
 CUT 16.08 SO FT
 FILL 2.47 SO FT
 SHDR 10.73 SO FT

STA. 11 + 50.00

WBK engineering
 WBK ENGINEERING, LLC
 116 WEST MAIN STREET, SUITE 201
 ST. CHARLES, ILLINOIS 60174
 (630) 443-7755

USER NAME = nparr15	DESIGNED - SBP	REVISED - 10/17/16
PLOT SCALE = 1/5	DRAWN - NDP	REVISED -
PLOT DATE = 10/24/2016	CHECKED - DPB	REVISED -
	DATE - 8/8/16	REVISED -

STATE OF ILLINOIS
DEPARTMENT OF TRANSPORTATION

CROSS SECTIONS		
BLISS ROAD - STAGES 2 & 3		
SCALE: H=5 V=2	SHEET NO. 3 OF 26 SHEETS	STA. 11+50.00 TO STA. 11+75.29

F.A.P. RTE. 520	SECTION 08-0058-02-BR	COUNTY KANE	TOTAL SHEETS 218	SHEET NO. 195
CONTRACT NO. 61D20				
ILLINOIS FED. AID PROJECT				

STAGE 2 NOTES
 STAGE 2 OPERATIONS (MILLING/LEVELING & FINAL PAVING) WILL BE COMPLETED IN STAGE 2 PRIOR TO REMOVING TRAFFIC CONTROL AND DETOUR.

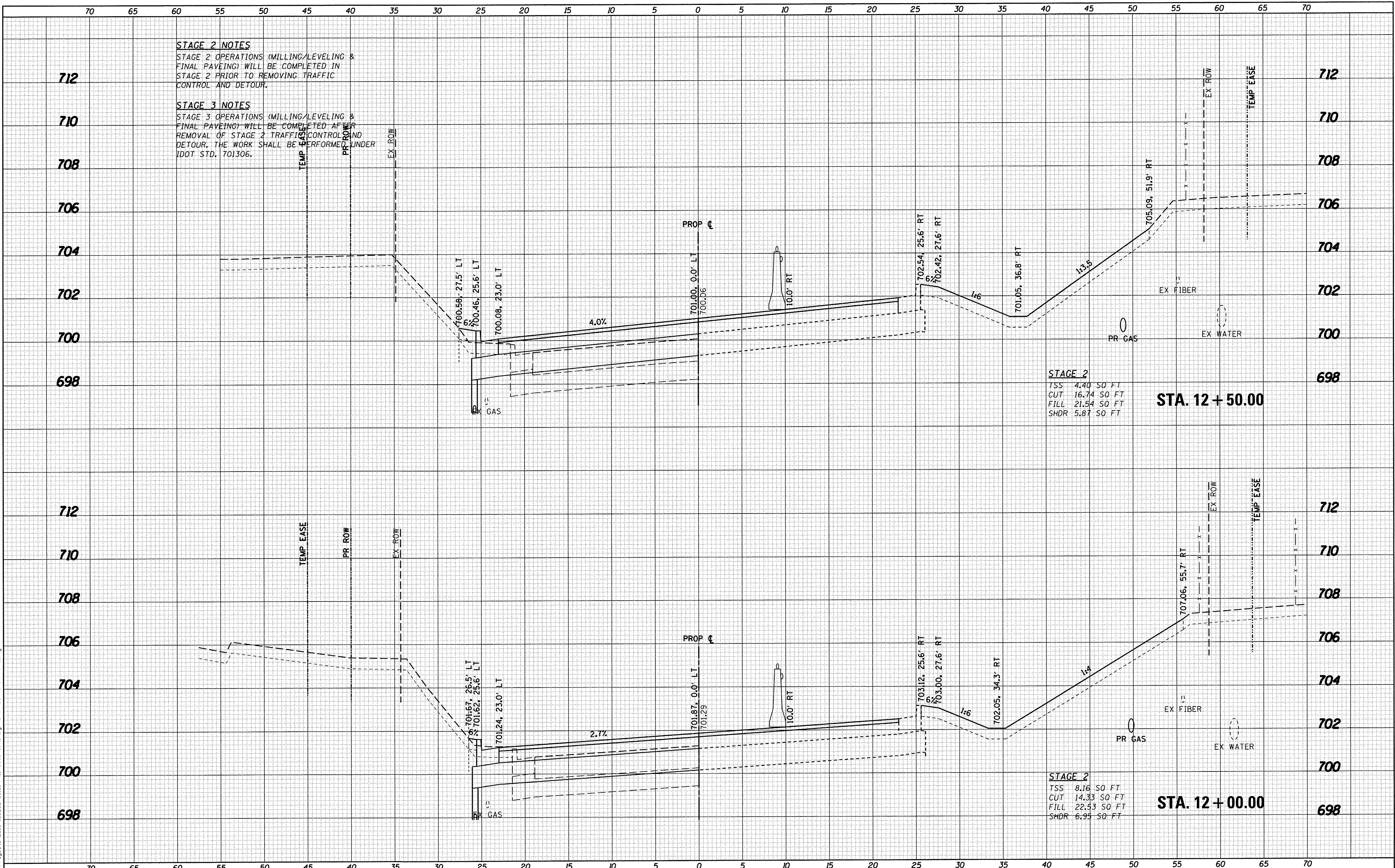
STAGE 3 NOTES
 STAGE 3 OPERATIONS (MILLING/LEVELING & FINAL PAVING) WILL BE COMPLETED AFTER REMOVAL OF STAGE 2 TRAFFIC CONTROL AND DETOUR. THE WORK SHALL BE PERFORMED UNDER IDOT STD. 701306.

STAGE 2
 TSS: 4.40 SO FT
 CUT: 16.74 SO FT
 FILL: 21.54 SO FT
 SHDR: 5.87 SO FT

STAGE 2
 TSS: 8.16 SO FT
 CUT: 14.33 SO FT
 FILL: 22.53 SO FT
 SHDR: 6.95 SO FT

STA. 12+50.00

STA. 12+00.00



DATE	
BY	
SURVEYED	
PLOTTED	
SCALE	
AREAS CHECKED	
NO.	

DATE	
BY	
ORIGINAL SURVEY	
PLOTTED	
SCALE	
AREAS CHECKED	
NO.	

FILE NAME = W:\Projects\2013\130282 Blis Pht\Cadd\Civil\Drawn\9x11\SSHT_RDWY-STG2.dgn

WBK engineering
 WBK ENGINEERING, LLC
 116 WEST MAIN STREET, SUITE 201
 ST. CHARLES, ILLINOIS 60174
 (630) 443-7755

USER NAME = nparris	DESIGNED - SBP	REVISED - 10/17/16
	DRAWN - NDP	REVISED -
PLOT SCALE = 1/5	CHECKED - DPB	REVISED -
PLOT DATE = 10/24/2016	DATE - 8/8/16	REVISED -

**STATE OF ILLINOIS
 DEPARTMENT OF TRANSPORTATION**

**CROSS SECTIONS
 BLISS ROAD - STAGES 2 & 3**

SCALE: H=5 V=2 SHEET NO. 4 OF 26 SHEETS STA. 12+00.00 TO STA. 12+50.00

F.A.P. RTE.	SECTION	COUNTY	TOTAL SHEETS	SHEET NO.
520	08-00058-02-BR	KANE	218	196
CONTRACT NO. 61D20				
ILLINOIS FED. AID PROJECT				

STAGE 2 NOTES

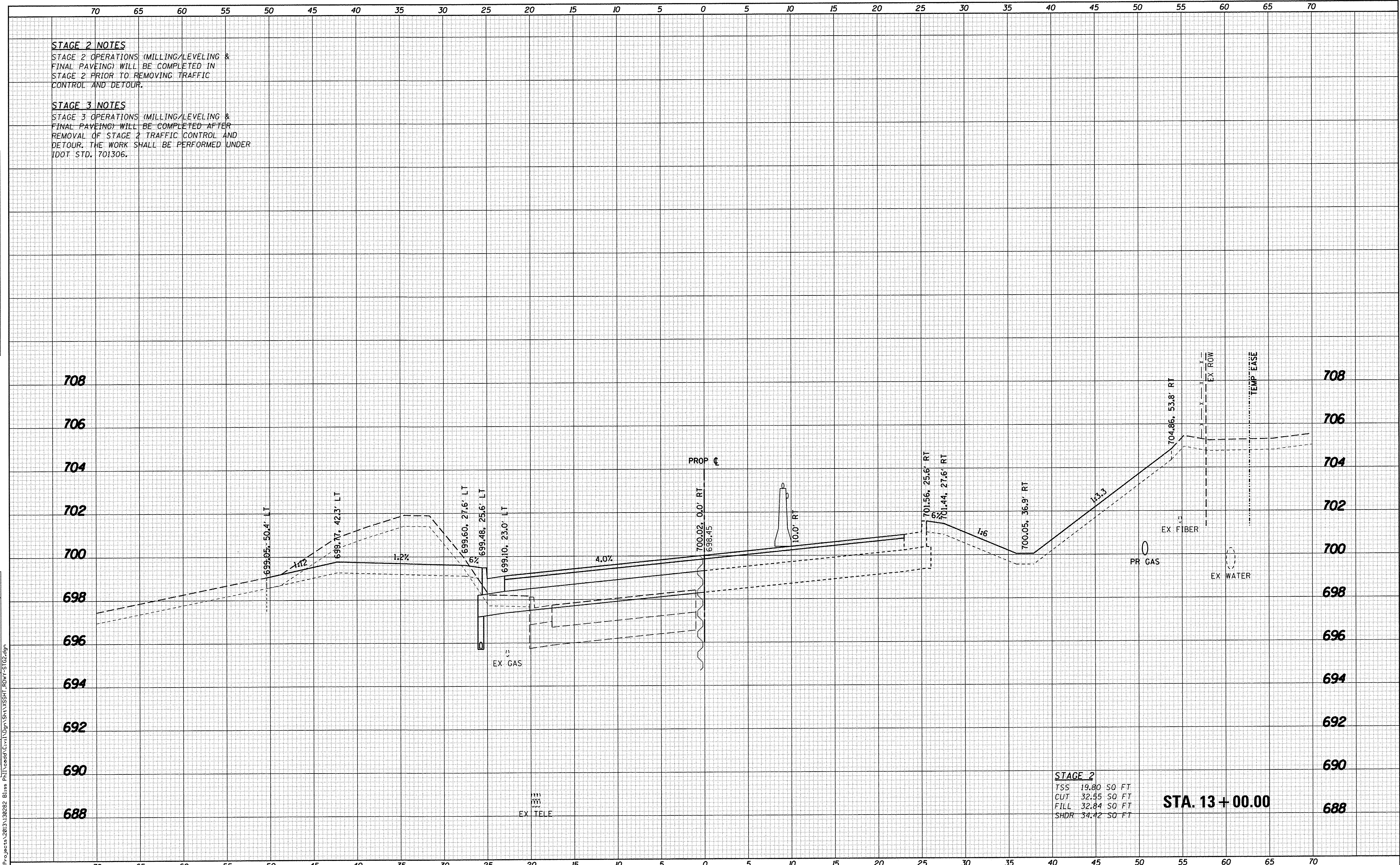
STAGE 2 OPERATIONS (MILLING/LEVELING & FINAL PAVING) WILL BE COMPLETED IN STAGE 2 PRIOR TO REMOVING TRAFFIC CONTROL AND DETOUR.

STAGE 3 NOTES

STAGE 3 OPERATIONS (MILLING/LEVELING & FINAL PAVING) WILL BE COMPLETED AFTER REMOVAL OF STAGE 2 TRAFFIC CONTROL AND DETOUR. THE WORK SHALL BE PERFORMED UNDER IDOT STD. 701306.

FINAL SURVEY	DATE
SURVEYED	BY
PLOTTED	
DATE	
AREAS	
CHECKED	
NO.	

ORIGINAL SURVEY	DATE
SURVEYED	BY
PLOTTED	
DATE	
AREAS	
CHECKED	
NO.	



STAGE 2
 TSS 19.80 SO FT
 CUT 32.45 SO FT
 FILL 32.84 SO FT
 SHDR 34.42 SO FT

STA. 13+00.00

WBK engineering
 WBK ENGINEERING, LLC
 116 WEST MAIN STREET, SUITE 201
 ST. CHARLES, ILLINOIS 60174
 (630) 443-7755

USER NAME = nparris	DESIGNED - SBP	REVISED - 10/17/16
PLOT SCALE = 1/5	DRAWN - NDP	REVISED -
PLOT DATE = 10/24/2016	CHECKED - DPB	REVISED -
	DATE - 8/8/16	REVISED -

**STATE OF ILLINOIS
 DEPARTMENT OF TRANSPORTATION**

CROSS SECTIONS		
BLISS ROAD - STAGES 2 & 3		
SCALE: H:5 V:2	SHEET NO. 5 OF 26 SHEETS	STA. 13+00.00 TO STA. 13+00.00

F.A.P. RTE. 520	SECTION 08-00058-02-BR	COUNTY KANE	TOTAL SHEETS 218	SHEET NO. 197
CONTRACT NO. 61D20				
ILLINOIS FED. AID PROJECT				

STAGE 2 NOTES

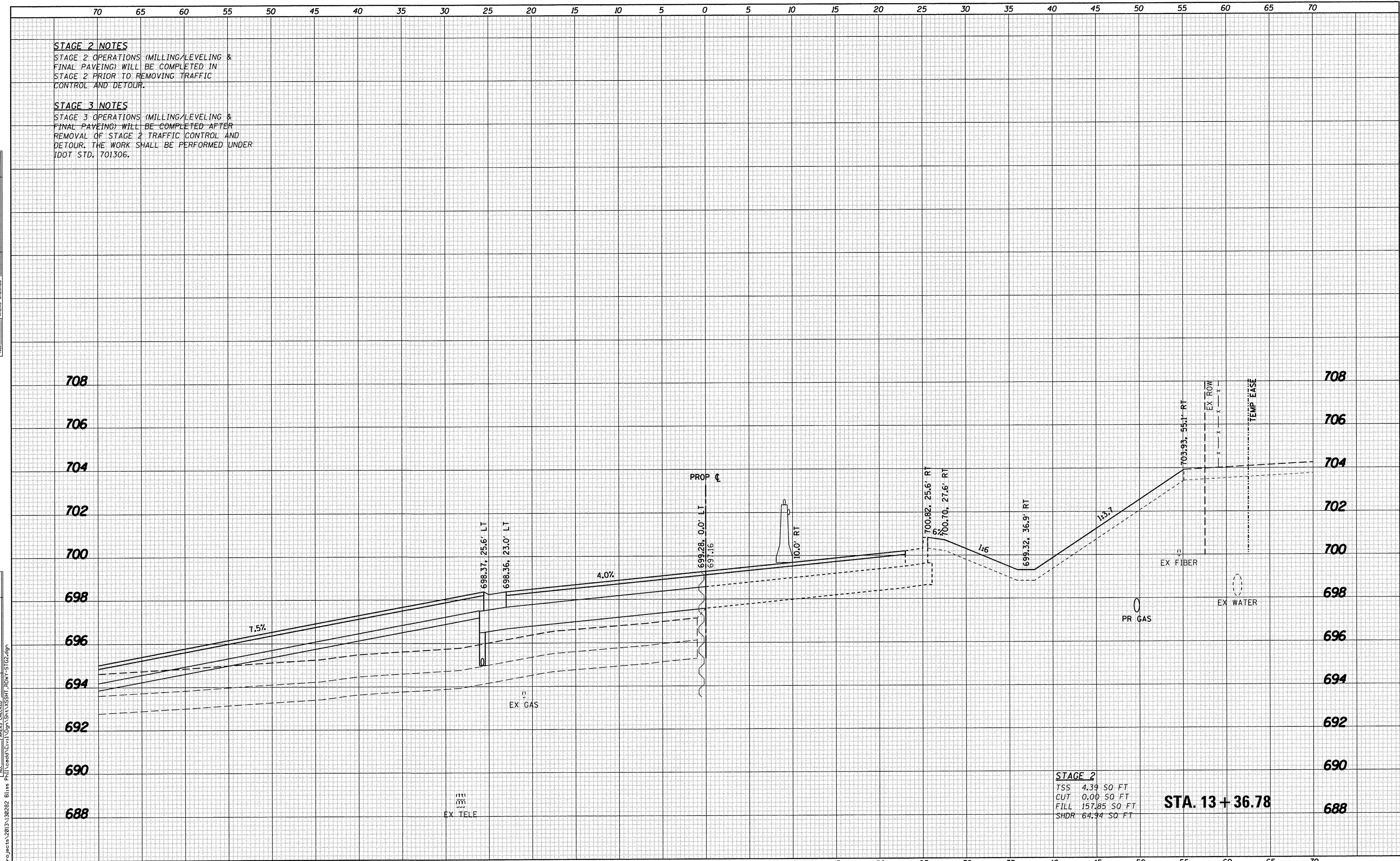
STAGE 2 OPERATIONS (MILLING/LEVELING & FINAL PAVING) WILL BE COMPLETED IN STAGE 2 PRIOR TO REMOVING TRAFFIC CONTROL AND DETOUR.

STAGE 3 NOTES

STAGE 3 OPERATIONS (MILLING/LEVELING & FINAL PAVING) WILL BE COMPLETED AFTER REMOVAL OF STAGE 2 TRAFFIC CONTROL AND DETOUR. THE WORK SHALL BE PERFORMED UNDER IDOT STD. 701306.

DATE	
BY	
FINAL SURVEY	
PLOTTED	
TEMPLATE	
AREAS CHECKED	
NO.	

DATE	
BY	
ORIGINAL SURVEY	
PLOTTED	
TEMPLATE	
AREAS CHECKED	
NO.	



STAGE 2
 TSS 4.39 SQ FT
 CUT 0.00 SQ FT
 FILL 157.85 SQ FT
 SHDR 64.94 SQ FT

STA. 13+36.78

WBK engineering
 WBK ENGINEERING, LLC
 116 WEST MAIN STREET, SUITE 201
 ST. CHARLES, ILLINOIS 60174
 (630) 443-7755

USER NAME = nparris	DESIGNED - SBP	REVISED - 10/17/16
	DRAWN - NDP	REVISED -
PLOT SCALE = 1:5	CHECKED - DPB	REVISED -
PLOT DATE = 10/24/2016	DATE - 8/8/16	REVISED -

**STATE OF ILLINOIS
 DEPARTMENT OF TRANSPORTATION**

CROSS SECTIONS		
BLISS ROAD - STAGES 2 & 3		
SCALE: H:5 V:2	SHEET NO. 6 OF 26 SHEETS	STA. 13+36.78 TO STA. 13+36.78

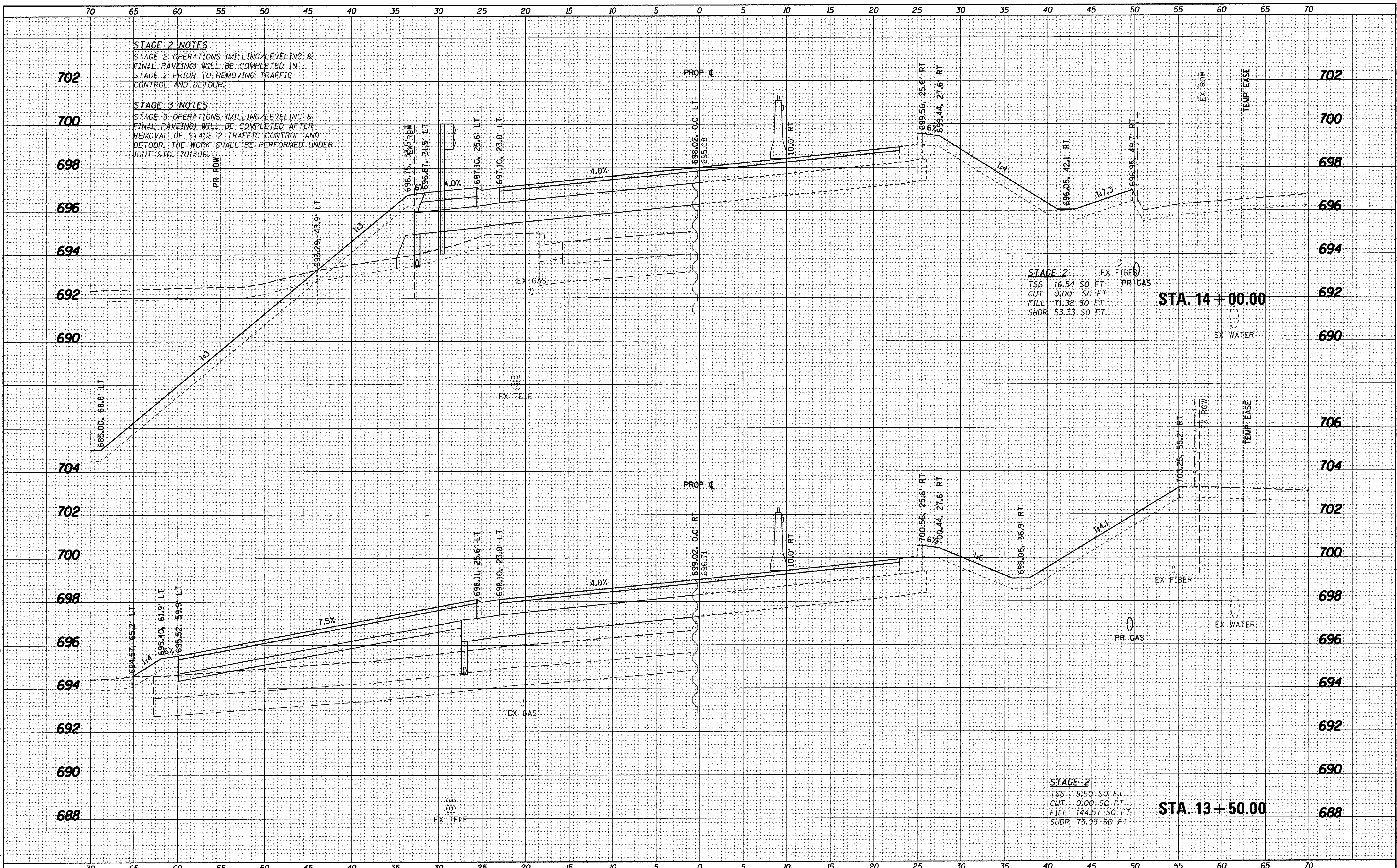
F.A.P. RTE. 520	SECTION 08-00058-02-BR	COUNTY KANE	TOTAL SHEETS 218	SHEET NO. 198
CONTRACT NO. 61D20				
ILLINOIS FED. AID PROJECT				

STAGE 2 NOTES
 STAGE 2 OPERATIONS (MILLING/LEVELING & FINAL PAVING) WILL BE COMPLETED IN STAGE 2 PRIOR TO REMOVING TRAFFIC CONTROL AND DETOUR.

STAGE 3 NOTES
 STAGE 3 OPERATIONS (MILLING/LEVELING & FINAL PAVING) WILL BE COMPLETED AFTER REMOVAL OF STAGE 2 TRAFFIC CONTROL AND DETOUR. THE WORK SHALL BE PERFORMED UNDER IDOT STD. 701306.

STAGE 2
 TSS 16.54 SQ FT
 CUT 0.00 SQ FT
 FILL 71.38 SQ FT
 SHDR 53.33 SQ FT

STAGE 2
 TSS 5.50 SQ FT
 CUT 0.00 SQ FT
 FILL 144.57 SQ FT
 SHDR 73.03 SQ FT



DATE	
BY	
FINAL SURVEY	
PLOTTED	
DATE	
AREAS CHECKED	
NO.	

DATE	
BY	
ORIGINAL SURVEY	
PLOTTED	
DATE	
AREAS CHECKED	
NO.	

FILE NAME = W:\Projects\2013\130282_B\13as_P\13as\Road\Cvt1\Draw\SHA\S5HT_ROMY-STG2.dgn

WBK engineering
 WBK ENGINEERING, LLC
 116 WEST MAIN STREET, SUITE 201
 ST. CHARLES, ILLINOIS 60174
 (630) 443-7755

USER NAME = nporris	DESIGNED - SBP	REVISED - 10/17/16
	DRAWN - NDP	REVISED -
PLOT SCALE = 1:5	CHECKED - DPB	REVISED -
PLOT DATE = 10/24/2016	DATE - 8/8/16	REVISED -

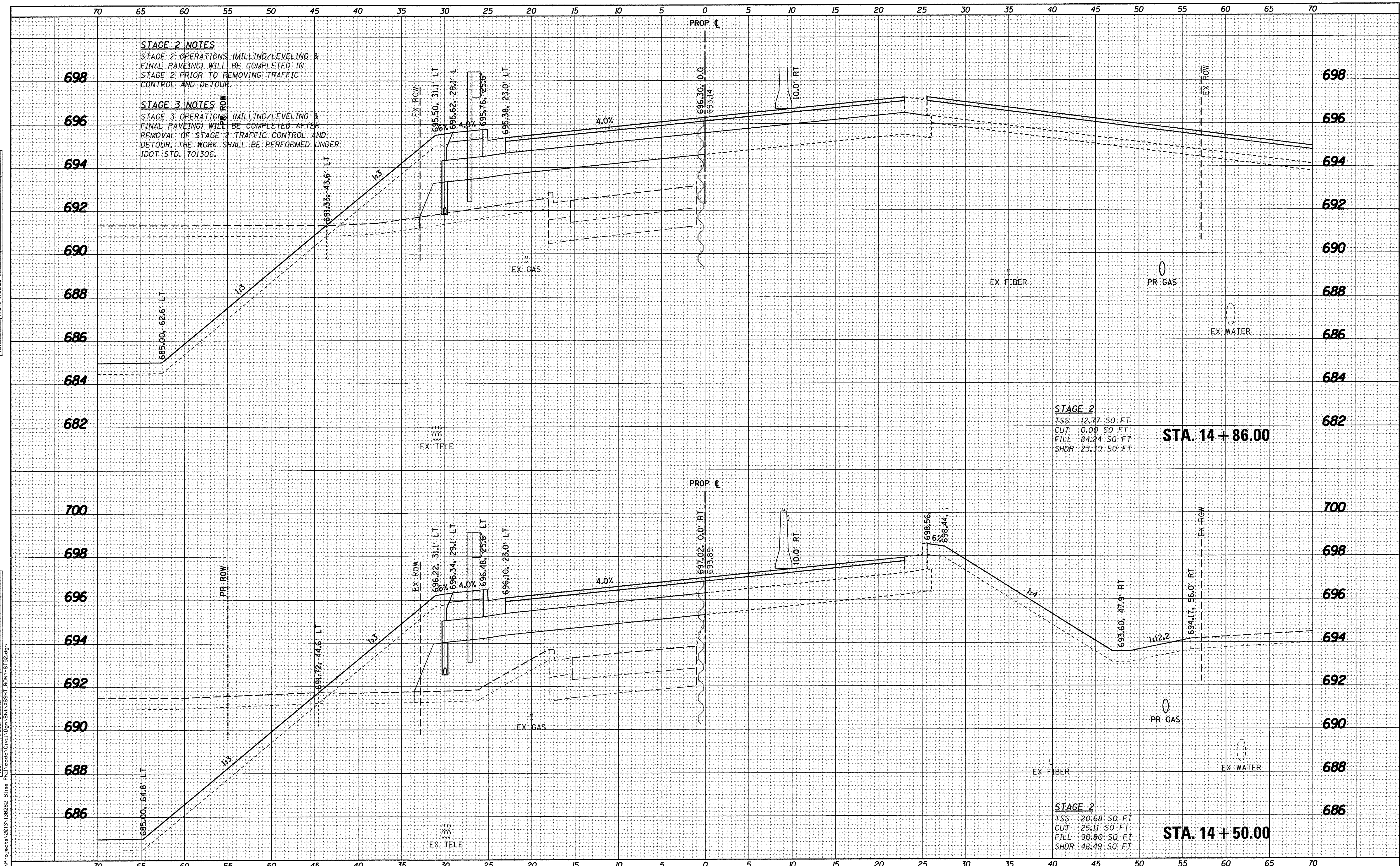
**STATE OF ILLINOIS
 DEPARTMENT OF TRANSPORTATION**

CROSS SECTIONS	
BLISS ROAD - STAGES 2 & 3	
SCALE: H=5 V=2	SHEET NO. 7 OF 26 SHEETS
STA. 13+50.00 TO STA. 14+00.00	

F.A.P. RTE. 520	SECTION 08-00058-02-BR	COUNTY KANE	TOTAL SHEETS 218	SHEET NO. 199
CONTRACT NO. 61D20				ILLINOIS FED. AID PROJECT

DATE	
BY	
SURVEYED	
PLOTTED	
NOTE BOOK	
AREAS CHECKED	
NO.	

DATE	
BY	
SURVEYED	
PLOTTED	
NOTE BOOK	
AREAS CHECKED	
NO.	



STAGE 2 NOTES
 STAGE 2 OPERATIONS (MILLING/LEVELING & FINAL PAVING) WILL BE COMPLETED IN STAGE 2 PRIOR TO REMOVING TRAFFIC CONTROL AND DETOUR.

STAGE 3 NOTES
 STAGE 3 OPERATIONS (MILLING/LEVELING & FINAL PAVING) WILL BE COMPLETED AFTER REMOVAL OF STAGE 2 TRAFFIC CONTROL AND DETOUR. THE WORK SHALL BE PERFORMED UNDER IDOT STD. 701306.

STAGE 2
 TSS 12.77 SQ FT
 CUT 0.00 SQ FT
 FILL 84.24 SQ FT
 SHDR 23.30 SQ FT

STA. 14 + 86.00

STAGE 2
 TSS 20.68 SQ FT
 CUT 25.11 SQ FT
 FILL 90.80 SQ FT
 SHDR 48.49 SQ FT

STA. 14 + 50.00



USER NAME = nporris	DESIGNED - SBP	REVISED - 10/17/16
PLLOT SCALE = 1:5	DRAWN - NDP	REVISED -
PLLOT DATE = 10/24/2016	CHECKED - DPB	REVISED -
	DATE - 8/8/16	REVISED -

**STATE OF ILLINOIS
 DEPARTMENT OF TRANSPORTATION**

CROSS SECTIONS			
BLISS ROAD - STAGES 2 & 3			
SCALE: H=5 V=2	SHEET NO. 8	OF 26 SHEETS	STA. 14+50.00 TO STA. 14+86.00

F.A.P. RTE. 520	SECTION 08-00058-02-BR	COUNTY KANE	TOTAL SHEETS 218	SHEET NO. 200
CONTRACT NO. 61D20				ILLINOIS FED. AID PROJECT

STAGE 2 NOTES

STAGE 2 OPERATIONS (MILLING/LEVELING & FINAL PAVING) WILL BE COMPLETED IN STAGE 2 PRIOR TO REMOVING TRAFFIC CONTROL AND DETOUR.

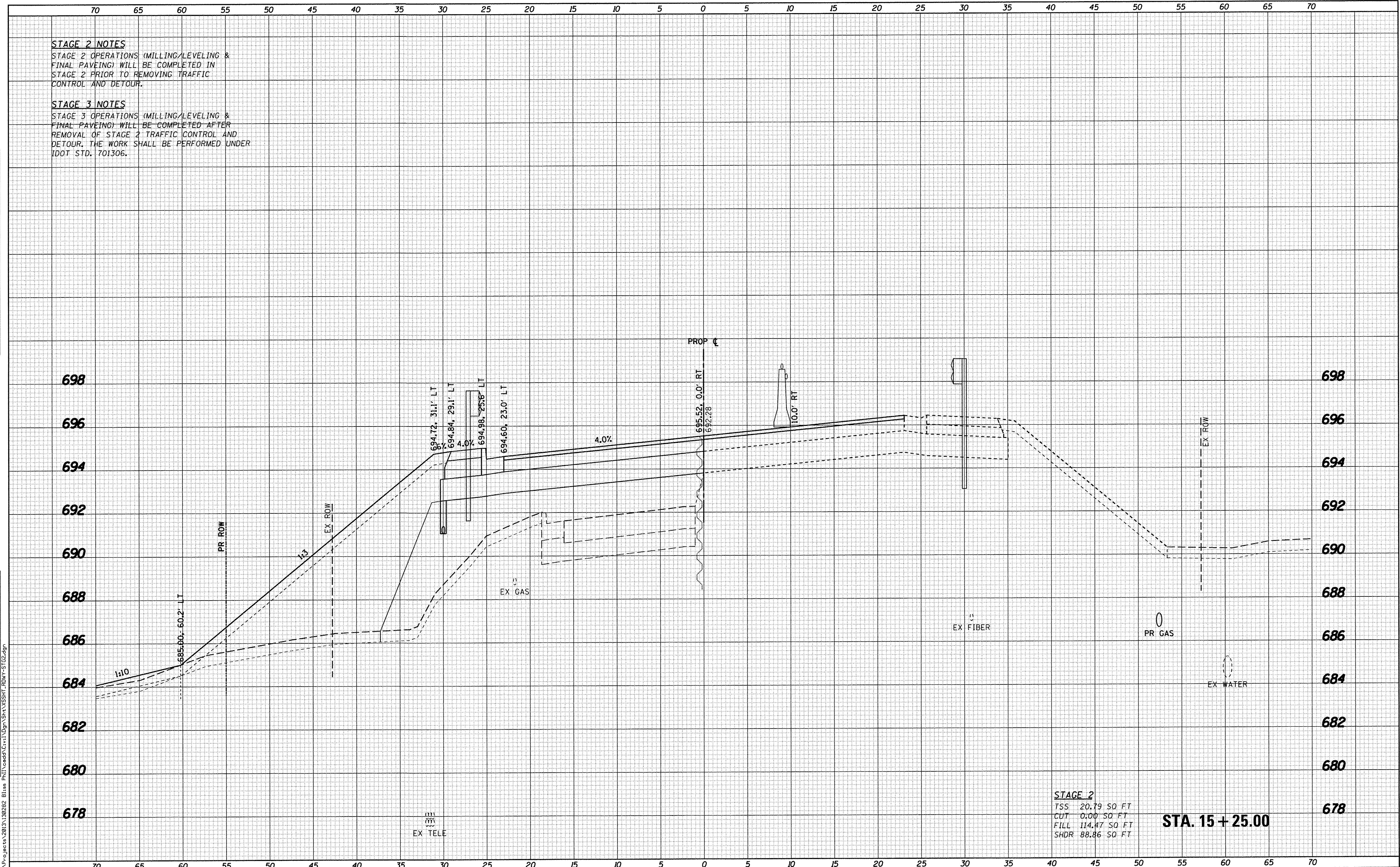
STAGE 3 NOTES

STAGE 3 OPERATIONS (MILLING/LEVELING & FINAL PAVING) WILL BE COMPLETED AFTER REMOVAL OF STAGE 2 TRAFFIC CONTROL AND DETOUR. THE WORK SHALL BE PERFORMED UNDER IDOT STD. 701306.

DATE	
BY	
SURVEYED	
PLOTTED	
AREAS CHECKED	
FINAL SURVEY	
NOTE BOOK	
NO.	

DATE	
BY	
SURVEYED	
PLOTTED	
AREAS CHECKED	
ORIGINAL SURVEY	
NOTE BOOK	
NO.	

FILE NAME = \\P:\Projects\2016\130282 - Bliss Rd\Drawings\SSHT_ROW-STG2.dgn



STAGE 2
 TSS 20.79 SO. FT
 CUT 0.00 SO. FT
 FILL 114.47 SO. FT
 SHDR 88.86 SO. FT

STA. 15+25.00

WBK engineering
 WBK ENGINEERING, LLC
 116 WEST MAIN STREET, SUITE 201
 ST. CHARLES, ILLINOIS 60174
 (630) 443-7755

USER NAME = nparr15	DESIGNED - SBP	REVISED - 10/17/16
PLLOT SCALE = 1:5	DRAWN - NDP	REVISED -
PLLOT DATE = 10/24/2016	CHECKED - DPB	REVISED -
	DATE - 8/8/16	REVISED -

**STATE OF ILLINOIS
 DEPARTMENT OF TRANSPORTATION**

CROSS SECTIONS		
BLISS ROAD - STAGES 2 & 3		
SCALE: H=5 V=2	SHEET NO. 9 OF 26 SHEETS	STA. 15+25.00 TO STA. 15+25.00

F.A.P. RTE. 520	SECTION 08-0058-02-BR	COUNTY KANE	TOTAL SHEETS 218	SHEET NO. 201
CONTRACT NO. 61D20				
ILLINOIS FED. AID PROJECT				

STAGE 2 NOTES

STAGE 2 OPERATIONS (MILLING/LEVELING & FINAL PAVING) WILL BE COMPLETED IN STAGE 2 PRIOR TO REMOVING TRAFFIC CONTROL AND DETOUR.

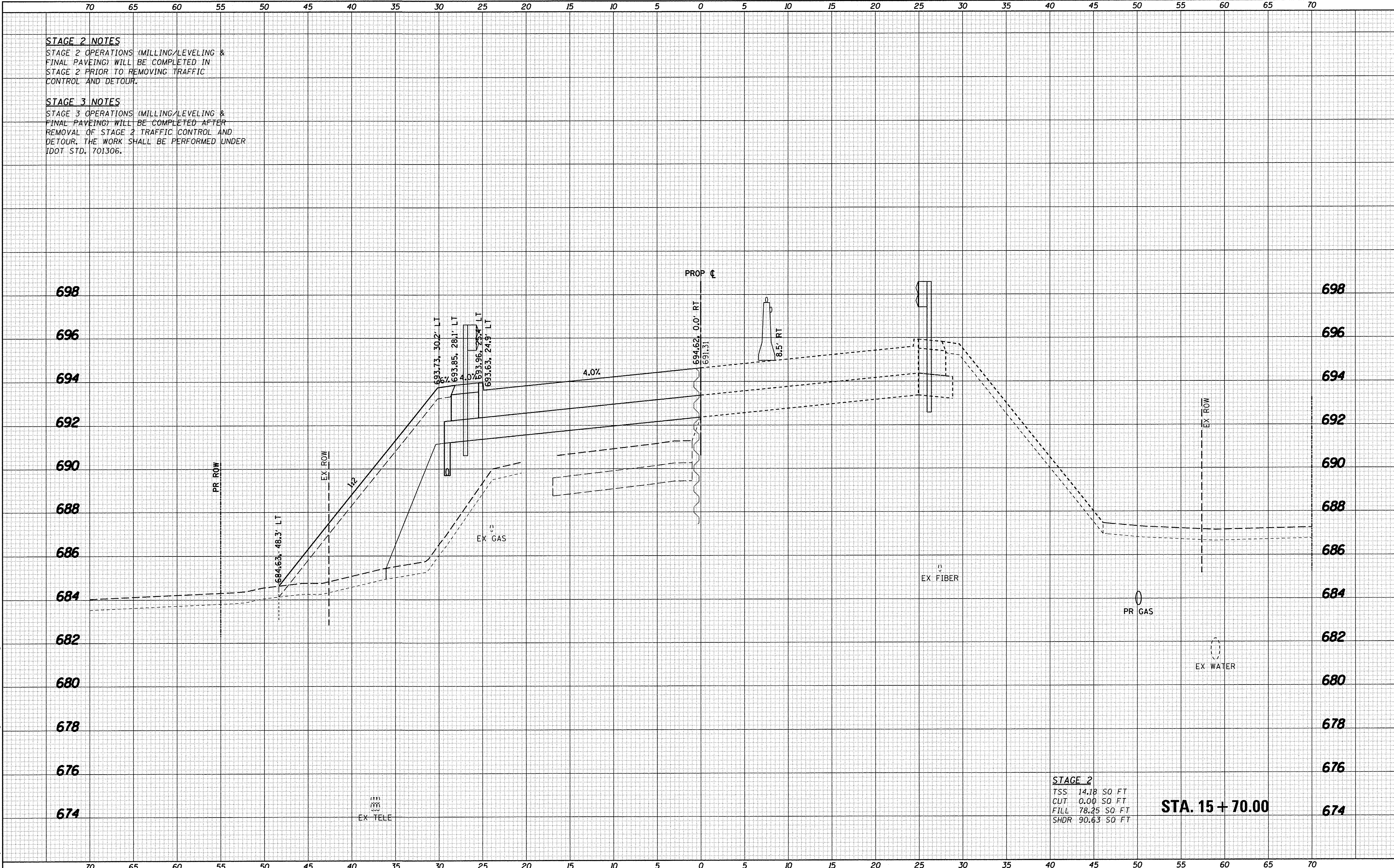
STAGE 3 NOTES

STAGE 3 OPERATIONS (MILLING/LEVELING & FINAL PAVING) WILL BE COMPLETED AFTER REMOVAL OF STAGE 2 TRAFFIC CONTROL AND DETOUR. THE WORK SHALL BE PERFORMED UNDER IDOT STD. 701306.

DATE	
BY	
SURVEYED	
PLOTTED	
REVISIONS	
AREAS CHECKED	
NO.	

DATE	
BY	
SURVEYED	
PLOTTED	
REVISIONS	
AREAS CHECKED	
NO.	

FILE NAME = W:\Projects\2013\1130282 Bliss\11\cadd\G:\1\0pr\Shk\SSHT_ROW-STG2.dgn



STAGE 2
 TSS: 14.18 SO FT
 CUT: 0.00 SO FT
 FILL: 78.25 SO FT
 SHDR: 90.63 SO FT

STA. 15 + 70.00

WBK engineering
 WBK ENGINEERING, LLC
 116 WEST MAIN STREET, SUITE 201
 ST. CHARLES, ILLINOIS 60174
 (630) 443-7755

USER NAME = nparris	DESIGNED - SBP	REVISED - 10/17/16
PLLOT SCALE = 1:5	DRAWN - NDP	REVISED -
PLLOT DATE = 10/24/2016	CHECKED - DPB	REVISED -
	DATE - 8/8/16	REVISED -

**STATE OF ILLINOIS
 DEPARTMENT OF TRANSPORTATION**

CROSS SECTIONS	
BLISS ROAD - STAGES 2 & 3	
SCALE: H:5 V:2	SHEET NO. 10 OF 26 SHEETS
STA. 15+70.00 TO STA. 15+70.00	

F.A.P. RTE. 520	SECTION 08-00058-02-BR	COUNTY KANE	TOTAL SHEETS 218	SHEET NO. 202
CONTRACT NO. 61D20				
ILLINOIS FED. AID PROJECT				

DATE	BY
SURVEYED	PLOTTED
NOTE BOOK	AREAS CHECKED
NO.	

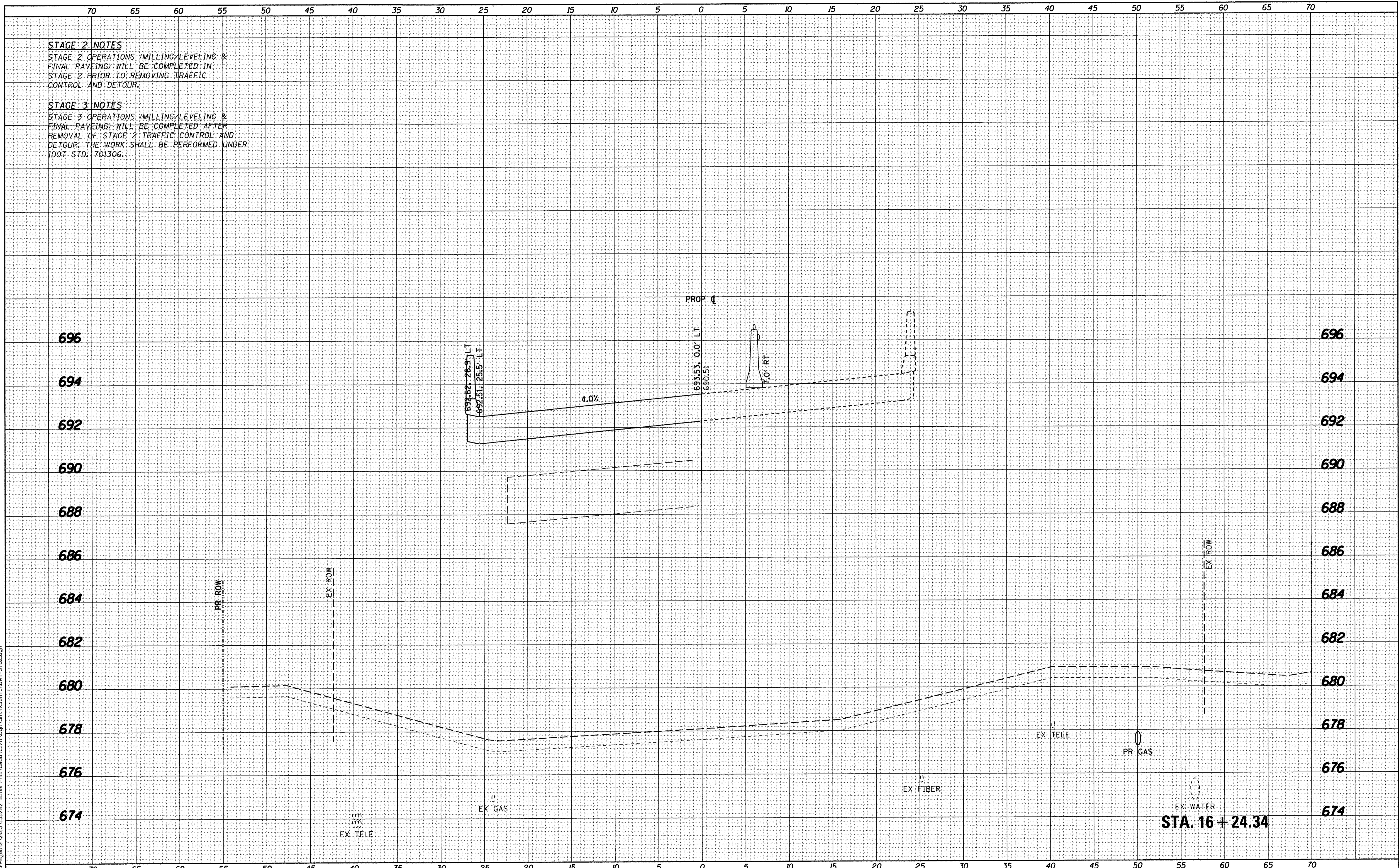
DATE	BY
ORIGINAL SURVEY	PLOTTED
NOTE BOOK	AREAS CHECKED
NO.	

STAGE 2 NOTES

STAGE 2 OPERATIONS (MILLING/LEVELING & FINAL PAVING) WILL BE COMPLETED IN STAGE 2 PRIOR TO REMOVING TRAFFIC CONTROL AND DETOUR.

STAGE 3 NOTES

STAGE 3 OPERATIONS (MILLING/LEVELING & FINAL PAVING) WILL BE COMPLETED AFTER REMOVAL OF STAGE 2 TRAFFIC CONTROL AND DETOUR. THE WORK SHALL BE PERFORMED UNDER IDOT STD. 701306.



WBK engineering
 WBK ENGINEERING, LLC
 116 WEST MAIN STREET, SUITE 201
 ST. CHARLES, ILLINOIS 60174
 (630) 443-7755

USER NAME = nporris	DESIGNED - SBP	REVISED - 10/17/16
PLOT SCALE = 1:5	DRAWN - NDP	REVISED -
PLOT DATE = 10/24/2016	CHECKED - DPB	REVISED -
	DATE - 8/8/16	REVISED -

**STATE OF ILLINOIS
 DEPARTMENT OF TRANSPORTATION**

CROSS SECTIONS		
BLISS ROAD - STAGES 2 & 3		
SCALE: Ht5 V2	SHEET NO. 11 OF 26 SHEETS	STA. 16+24.34 TO STA. 16+24.34

F.A.P. RTE. 520	SECTION 08-00058-02-BR	COUNTY KANE	TOTAL SHEETS 218	SHEET NO. 203
ILLINOIS FED. AID PROJECT				

CONTRACT NO.61D20

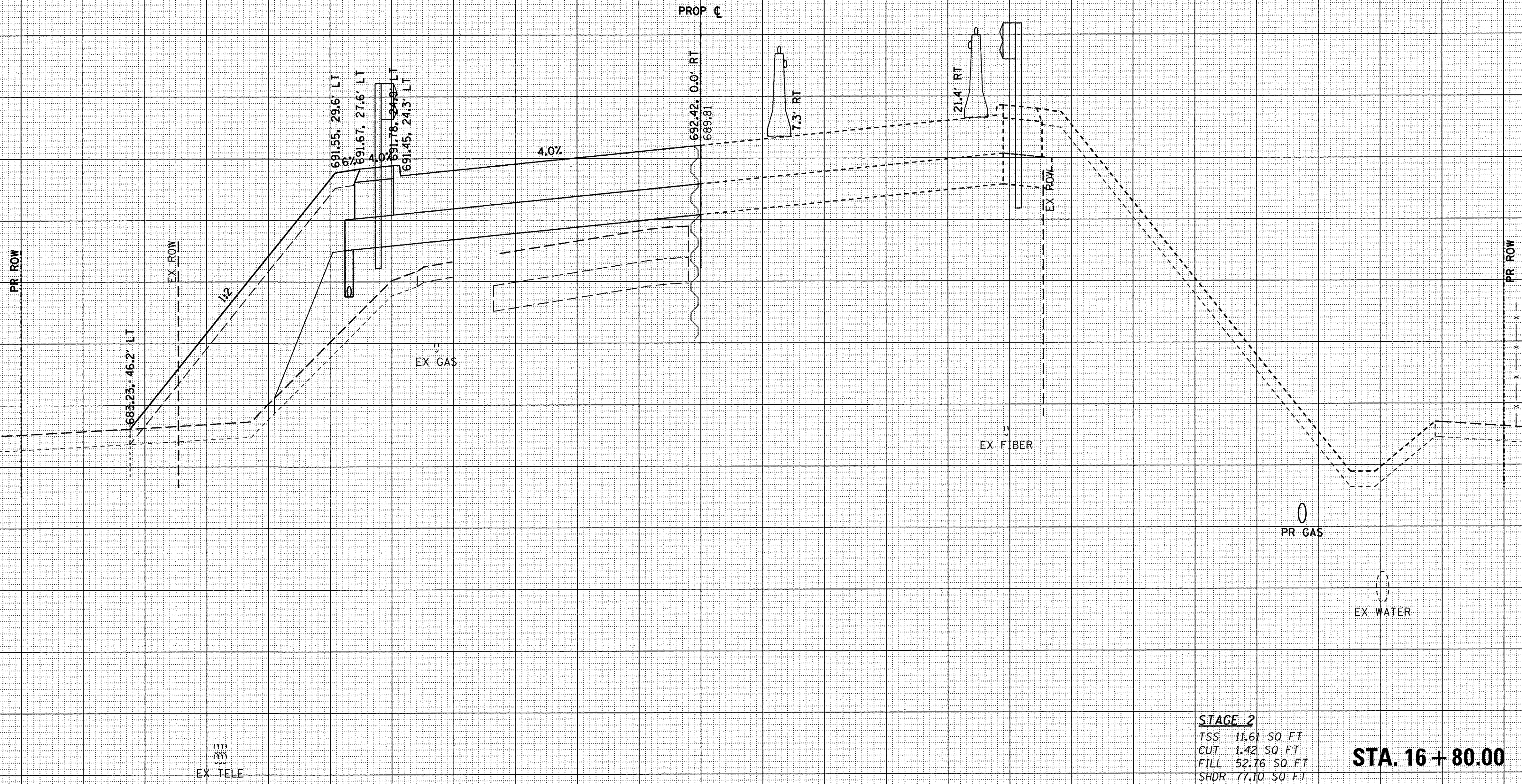
STAGE 2 NOTES

STAGE 2 OPERATIONS (MILLING/LEVELING & FINAL PAVING) WILL BE COMPLETED IN STAGE 2 PRIOR TO REMOVING TRAFFIC CONTROL AND DETOUR.

STAGE 3 NOTES

STAGE 3 OPERATIONS (MILLING/LEVELING & FINAL PAVING) WILL BE COMPLETED AFTER REMOVAL OF STAGE 2 TRAFFIC CONTROL AND DETOUR. THE WORK SHALL BE PERFORMED UNDER IDOT STD. 701306.

696
694
692
690
688
686
684
682
680
678
676
674
672



STAGE 2
TSS 11.61 SQ FT
CUT 1.42 SQ FT
FILL 52.76 SQ FT
SHDR 77.10 SQ FT

STA. 16 + 80.00

DATE	
BY	
FINAL SURVEY	
PLOTTED	
NOTE BOOK	
TEMPLATE	
AREAS CHECKED	
NO.	

DATE	
BY	
ORIGINAL SURVEY	
PLOTTED	
NOTE BOOK	
TEMPLATE	
AREAS CHECKED	
NO.	

FILE NAME = W:\Projects\2013\130282 Bliss Rd\Drawings\16+80\16+80 STA 2.dwg

WBK engineering
WBK ENGINEERING, LLC
116 WEST MAIN STREET, SUITE 201
ST. CHARLES, ILLINOIS 60174
(630) 443-7755

USER NAME = rparrris	DESIGNED - SBP	REVISED - 10/17/16
	DRAWN - NDP	REVISED -
PLOT SCALE = 1:5	CHECKED - DPB	REVISED -
PLOT DATE = 10/24/2016	DATE - 8/8/16	REVISED -

**STATE OF ILLINOIS
DEPARTMENT OF TRANSPORTATION**

CROSS SECTIONS
BLISS ROAD - STAGES 2 & 3

SCALE: H=5 V=2 SHEET NO. 12 OF 26 SHEETS STA. 16+80.00 TO STA. 16+80.00

F.A.P. RTE. 520	SECTION 08-00058-02-BR	COUNTY KANE	TOTAL SHEETS 218	SHEET NO. 204
CONTRACT NO. 61D20				
ILLINOIS FED. AID PROJECT				

STAGE 2 NOTES

STAGE 2 OPERATIONS (MILLING/LEVELING & FINAL PAVING) WILL BE COMPLETED IN STAGE 2 PRIOR TO REMOVING TRAFFIC CONTROL AND DETOUR.

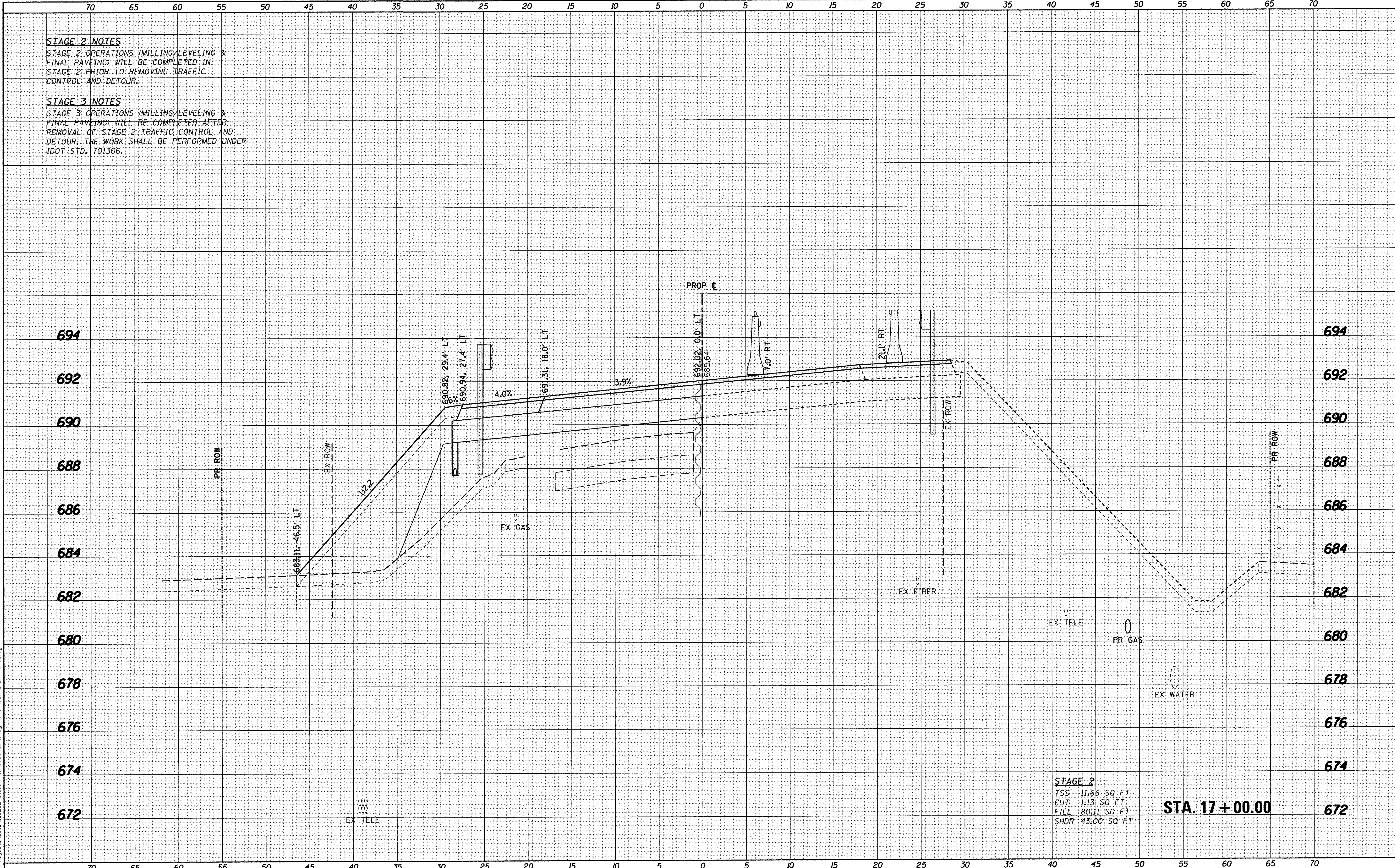
STAGE 3 NOTES

STAGE 3 OPERATIONS (MILLING/LEVELING & FINAL PAVING) WILL BE COMPLETED AFTER REMOVAL OF STAGE 2 TRAFFIC CONTROL AND DETOUR. THE WORK SHALL BE PERFORMED UNDER IDOT STD. 701306.

FINAL SURVEY	DATE
SURVEYED	BY
PLOTTED	DATE
NOTE BOOK	AREAS CHECKED
NO.	

ORIGINAL SURVEY	DATE
SURVEYED	BY
PLOTTED	DATE
NOTE BOOK	AREAS CHECKED
NO.	

FILE NAME = W:\Projects\2013\130282 Bliss Rd\Drawings\130282-Bliss Rd\X855HT_ROWY-STG2.dwg



STAGE 2
 TSS 11.66 SO FT
 CUT 1.13 SO FT
 FILL 80.11 SO FT
 SHDR 43.00 SO FT

STA. 17 + 00.00

WBK engineering
 WBK ENGINEERING, LLC
 116 WEST MAIN STREET, SUITE 201
 ST. CHARLES, ILLINOIS 60174
 (630) 443-7755

USER NAME = nparris	DESIGNED - SBP	REVISIONS - 10/17/16
PLLOT SCALE = 1:5	DRAWN - NDP	REVISIONS -
PLLOT DATE = 10/24/2016	CHECKED - DPB	REVISIONS -
	DATE - 8/8/16	REVISIONS -

**STATE OF ILLINOIS
 DEPARTMENT OF TRANSPORTATION**

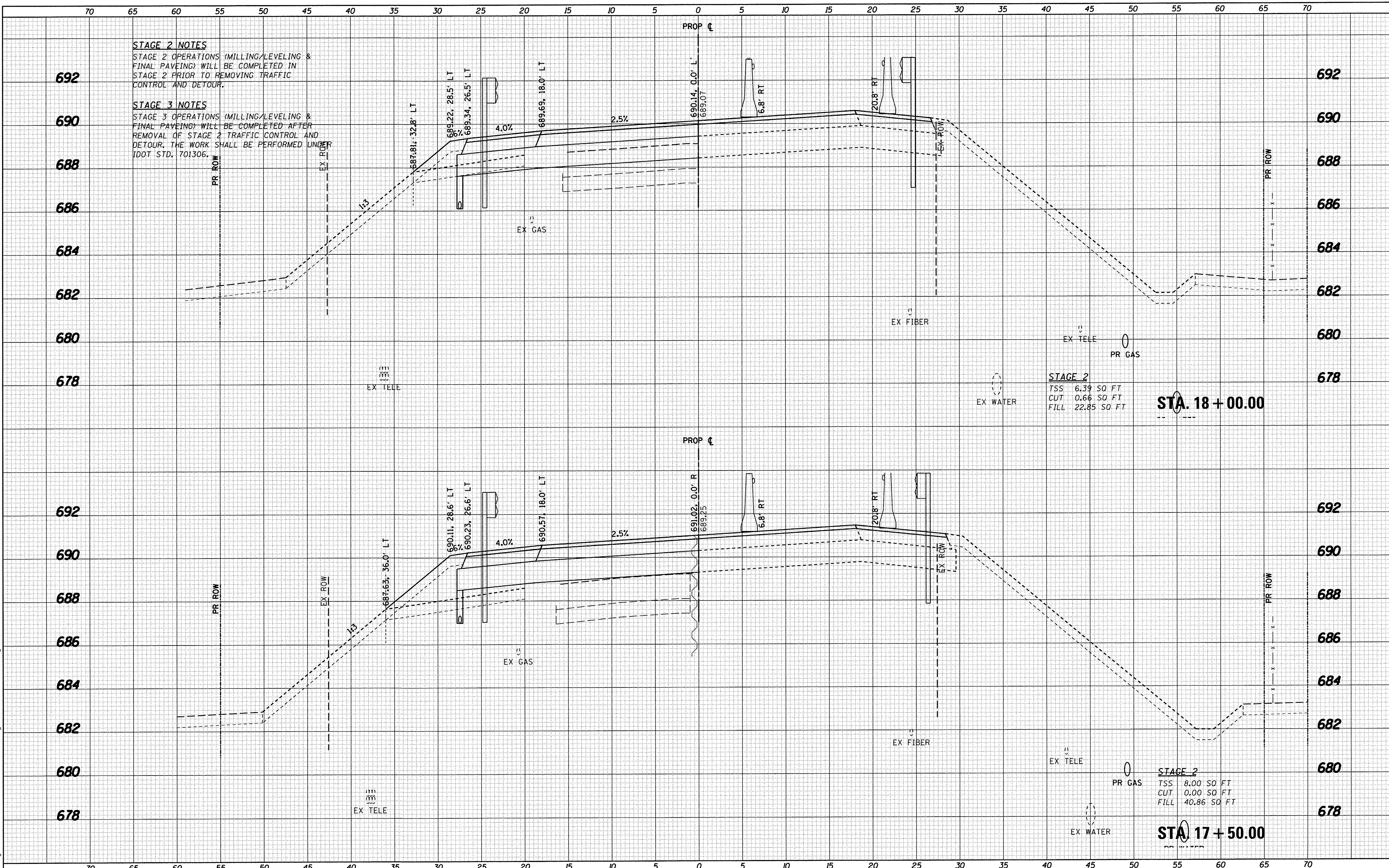
CROSS SECTIONS		
BLISS ROAD - STAGES 2 & 3		
SCALE: H:5 V:2	SHEET NO. 13 OF 26 SHEETS	STA. 17+00.00 TO STA. 17+00.00

F.A.P. RTE. 520	SECTION 08-00058-02-BR	COUNTY KANE	TOTAL SHEETS 218	SHEET NO. 205
CONTRACT NO. 61D20				
ILLINOIS FED. AID PROJECT				

DATE	
BY	
SURVEYED	
PLOTTED	
AREAS CHECKED	
AREAS CHECKED	
NO.	
FINAL SURVEY	
NOTE BOOK	
NO.	

DATE	
BY	
SURVEYED	
PLOTTED	
AREAS CHECKED	
AREAS CHECKED	
NO.	
ORIGINAL SURVEY	
NOTE BOOK	
NO.	

FILE NAME = W:\Projects\2013\130282 - Bliss Rd\Drawings\130282 - Bliss Rd\XSSHT\ROMY-STG2.dgn



WBK engineering
 WBK ENGINEERING, LLC
 116 WEST MAIN STREET, SUITE 201
 ST. CHARLES, ILLINOIS 60174
 (630) 443-7755

USER NAME = nparris	DESIGNED - SBP	REVISED - 10/17/16
	DRAWN - NDP	REVISED -
PLOT SCALE = 1/5	CHECKED - DPB	REVISED -
PLOT DATE = 10/24/2016	DATE - 8/8/16	REVISED -

**STATE OF ILLINOIS
 DEPARTMENT OF TRANSPORTATION**

CROSS SECTIONS	
BLISS ROAD - STAGES 2 & 3	
SCALE: H:5 V:2	SHEET NO. 14 OF 26 SHEETS
STA. 17+50.00 TO STA. 18+00.00	

F.A.P. RTE. 520	SECTION 08-00058-02-BR	COUNTY KANE	TOTAL SHEETS 218	SHEET NO. 206
CONTRACT NO. 61D20				ILLINOIS FED. AID PROJECT

STAGE 2 NOTES

STAGE 2 OPERATIONS (MILLING/LEVELING & FINAL PAVING) WILL BE COMPLETED IN STAGE 2 PRIOR TO REMOVING TRAFFIC CONTROL AND DETOUR.

STAGE 3 NOTES

STAGE 3 OPERATIONS (MILLING/LEVELING & FINAL PAVING) WILL BE COMPLETED AFTER REMOVAL OF STAGE 2 TRAFFIC CONTROL AND DETOUR. THE WORK SHALL BE PERFORMED UNDER IDOT STD. 701306.

690

688

686

684

682

680

690

688

686

684

682

680

STAGE 2
 TSS 5.47 SQ. FT
 CUT 12.02 SQ. FT
 FILL 4.49 SQ. FT

STA. 19 + 00.00

692

690

688

686

684

682

680

678

692

690

688

686

684

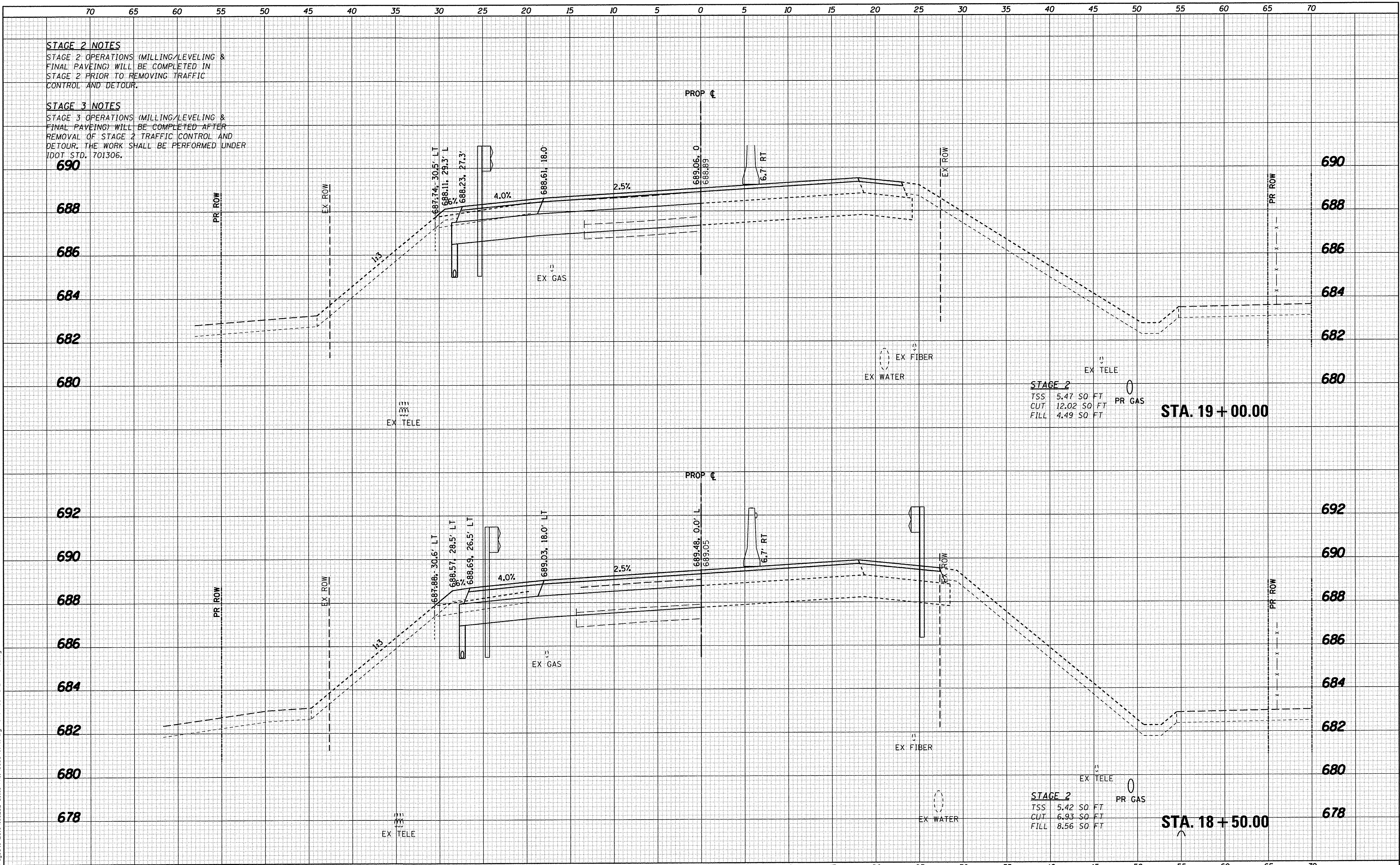
682

680

678

STAGE 2
 TSS 5.42 SQ. FT
 CUT 6.93 SQ. FT
 FILL 8.56 SQ. FT

STA. 18 + 50.00



FILE NAME = W:\Projects\2016\180282 Bliss Rd\Drawings\180282-Bliss Rd\XSSHT-RDWAY-STG2.dgn
 ORIGINAL SURVEY NO. _____
 SURVEYED BY _____
 PLOTTED DATE _____
 PLOTTED BY _____
 AREAS CHECKED _____
 NO. _____

WBK engineering
 WBK ENGINEERING, LLC
 116 WEST MAIN STREET, SUITE 201
 ST. CHARLES, ILLINOIS 60174
 (630) 443-7755

USER NAME = nparris	DESIGNED - SBP	REVISED - 10/17/16
PLOT SCALE = 1/5	DRAWN - NDP	REVISED -
PLOT DATE = 10/24/2016	CHECKED - DPB	REVISED -
	DATE - 8/8/16	REVISED -

**STATE OF ILLINOIS
 DEPARTMENT OF TRANSPORTATION**

**CROSS SECTIONS
 BLISS ROAD - STAGES 2 & 3**

SCALE: H=5 V=2 SHEET NO. 15 OF 26 SHEETS STA. 18+50.00 TO STA. 19+00.00

F.A.P. RTE. 520	SECTION 08-00058-02-BR	COUNTY KANE	TOTAL SHEETS 218	SHEET NO. 207
CONTRACT NO. 61D20				
ILLINOIS FED. AID PROJECT				

STAGE 2 NOTES

STAGE 2 OPERATIONS (MILLING/LEVELING & FINAL PAVING) WILL BE COMPLETED IN STAGE 2 PRIOR TO REMOVING TRAFFIC CONTROL AND DETOUR.

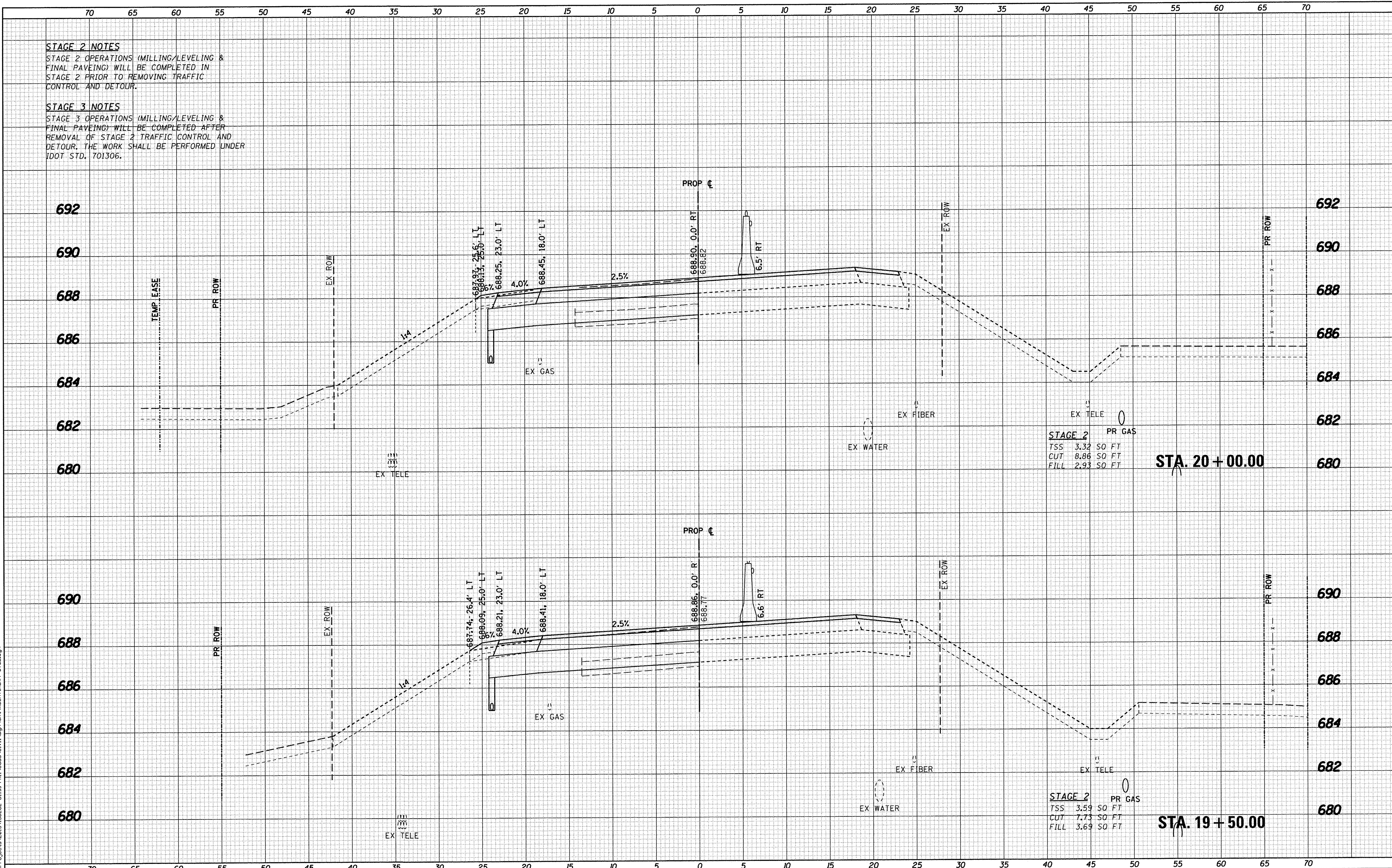
STAGE 3 NOTES

STAGE 3 OPERATIONS (MILLING/LEVELING & FINAL PAVING) WILL BE COMPLETED AFTER REMOVAL OF STAGE 2 TRAFFIC CONTROL AND DETOUR. THE WORK SHALL BE PERFORMED UNDER IDOT STD. 701306.

DATE	
BY	
SURVEYED	
PLOTTED	
TEMPLATE	
NOTE BOOK	
AREAS CHECKED	
NO.	

DATE	
BY	
SURVEYED	
PLOTTED	
TEMPLATE	
NOTE BOOK	
AREAS CHECKED	
NO.	

FILE NAME = W:\P\Projects\2013\102282 B\Use PH\Cad\Draw\1\Draw\Sh\X55HT_BDWY-ST02.dgn



STAGE 2
 TSS: 3.32 SQ FT
 CUT: 8.86 SQ FT
 FILL: 2.93 SQ FT

STAGE 2
 TSS: 3.59 SQ FT
 CUT: 7.73 SQ FT
 FILL: 3.69 SQ FT

WBK engineering
 WBK ENGINEERING, LLC
 116 WEST MAIN STREET, SUITE 201
 ST. CHARLES, ILLINOIS 60174
 (630) 443-7755

USER NAME = nparris	DESIGNED - SBP	REVISED - 10/17/16
PLOT SCALE = 1/5	DRAWN - NDP	REVISED -
PLOT DATE = 10/24/2016	CHECKED - DPB	REVISED -
	DATE - 8/8/16	REVISED -

**STATE OF ILLINOIS
 DEPARTMENT OF TRANSPORTATION**

**CROSS SECTIONS
 BLISS ROAD - STAGES 2 & 3**

SCALE: H=5 V=2 SHEET NO. 16 OF 26 SHEETS STA. 19+50.00 TO STA. 20+00.00

F.A.P. RTE. 520	SECTION 08-00058-02-BR	COUNTY KANE	TOTAL SHEETS 218	SHEET NO. 208
CONTRACT NO. 61D20				
ILLINOIS FED. AID PROJECT				

STAGE 2 NOTES

STAGE 2 OPERATIONS (MILLING/LEVELING & FINAL PAVING) WILL BE COMPLETED IN STAGE 2 PRIOR TO REMOVING TRAFFIC CONTROL AND DETOUR.

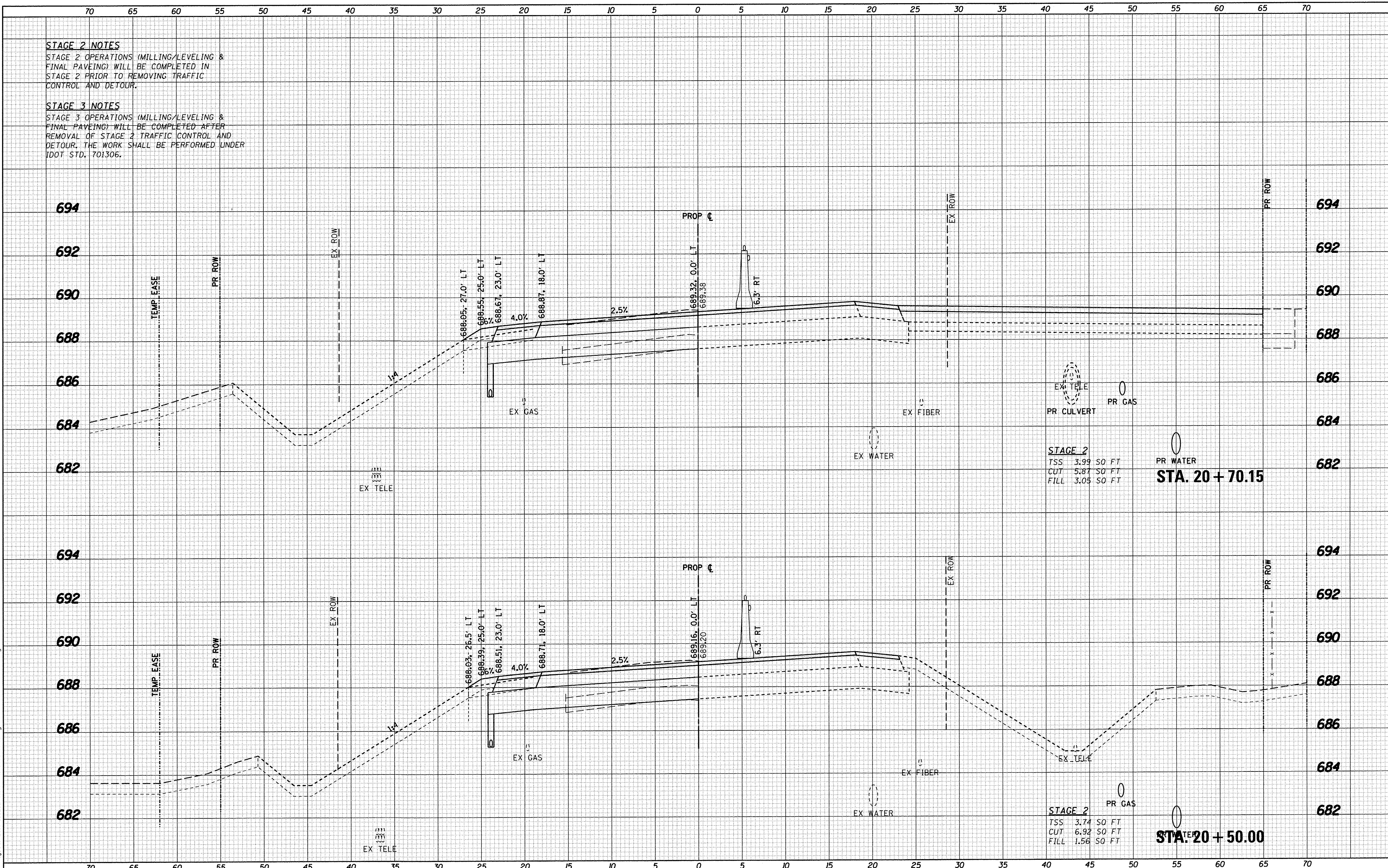
STAGE 3 NOTES

STAGE 3 OPERATIONS (MILLING/LEVELING & FINAL PAVING) WILL BE COMPLETED AFTER REMOVAL OF STAGE 2 TRAFFIC CONTROL AND DETOUR. THE WORK SHALL BE PERFORMED UNDER IDOT STD. 701306.

DATE	
BY	
FINAL SURVEY	
PLOTTED	
NOTE BOOK	
AREAS CHECKED	
NO.	

DATE	
BY	
ORIGINAL SURVEY	
PLOTTED	
NOTE BOOK	
AREAS CHECKED	
NO.	

FILE NAME = \\projects\2013\130282 - Bliss Rd\Road\Cv1\Drawn\Sh\X\SSHT_RDMV-STG2.dgn



STAGE 2
 TSS: 3.99 SO FT
 CUT: 5.87 SO FT
 FILL: 3.05 SO FT

STA. 20 + 70.15

STAGE 2
 TSS: 3.74 SO FT
 CUT: 6.92 SO FT
 FILL: 1.56 SO FT

STA. 20 + 50.00

WBK engineering
 WBK ENGINEERING, LLC
 116 WEST MAIN STREET, SUITE 201
 ST. CHARLES, ILLINOIS 60174
 (630) 443-7755

USER NAME = nparr18	DESIGNED - SBP	REVISED - 10/17/16
PLLOT SCALE = 1:5	DRAWN - NDP	REVISED -
PLLOT DATE = 10/24/2016	CHECKED - DPB	REVISED -
	DATE - 8/8/16	REVISED -

**STATE OF ILLINOIS
 DEPARTMENT OF TRANSPORTATION**

CROSS SECTIONS	
BLISS ROAD - STAGES 2 & 3	
SCALE: H=5 V=2	SHEET NO. 17 OF 26 SHEETS
STA. 20+50.00 TO STA. 20+70.15	

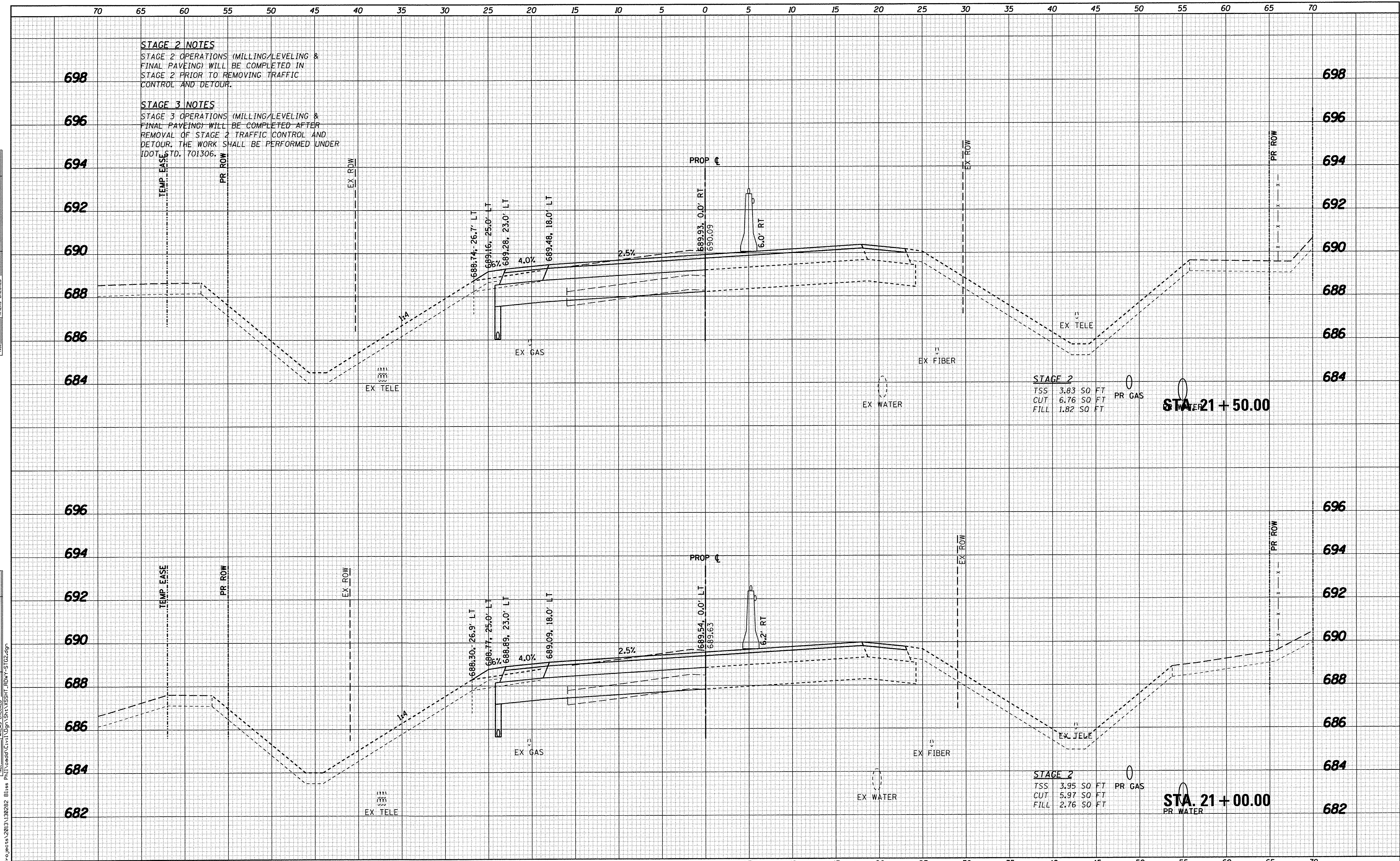
F.A.P. RTE. 520	SECTION 08-00058-02-BR	COUNTY KANE	TOTAL SHEETS 218	SHEET NO. 209
CONTRACT NO. 61D20				
ILLINOIS FED. AID PROJECT				

STAGE 2 NOTES
 STAGE 2 OPERATIONS (MILLING/LEVELING & FINAL PAVING) WILL BE COMPLETED IN STAGE 2 PRIOR TO REMOVING TRAFFIC CONTROL AND DETOUR.

STAGE 3 NOTES
 STAGE 3 OPERATIONS (MILLING/LEVELING & FINAL PAVING) WILL BE COMPLETED AFTER REMOVAL OF STAGE 2 TRAFFIC CONTROL AND DETOUR. THE WORK SHALL BE PERFORMED UNDER IDOT STD. 701306.

DATE	
BY	
FINAL SURVEY	
PLOTTED	
NOTE BOOK	
AREAS CHECKED	
NO.	

DATE	
BY	
ORIGINAL SURVEY	
PLOTTED	
NOTE BOOK	
AREAS CHECKED	
NO.	



STAGE 2
 TSS 3.83 SQ. FT
 CUT 6.76 SQ. FT
 FILL 1.82 SQ. FT

STAGE 2
 TSS 3.95 SQ. FT
 CUT 5.97 SQ. FT
 FILL 2.76 SQ. FT

STA 21+50.00

STA 21+00.00



USER NAME = nparris	DESIGNED - SBP	REVISED - 10/17/16
	DRAWN - NDP	REVISED -
	CHECKED - DPB	REVISED -
	DATE - 8/8/16	REVISED -
PLOT SCALE = 1/5		
PLOT DATE = 10/24/2016		

**STATE OF ILLINOIS
 DEPARTMENT OF TRANSPORTATION**

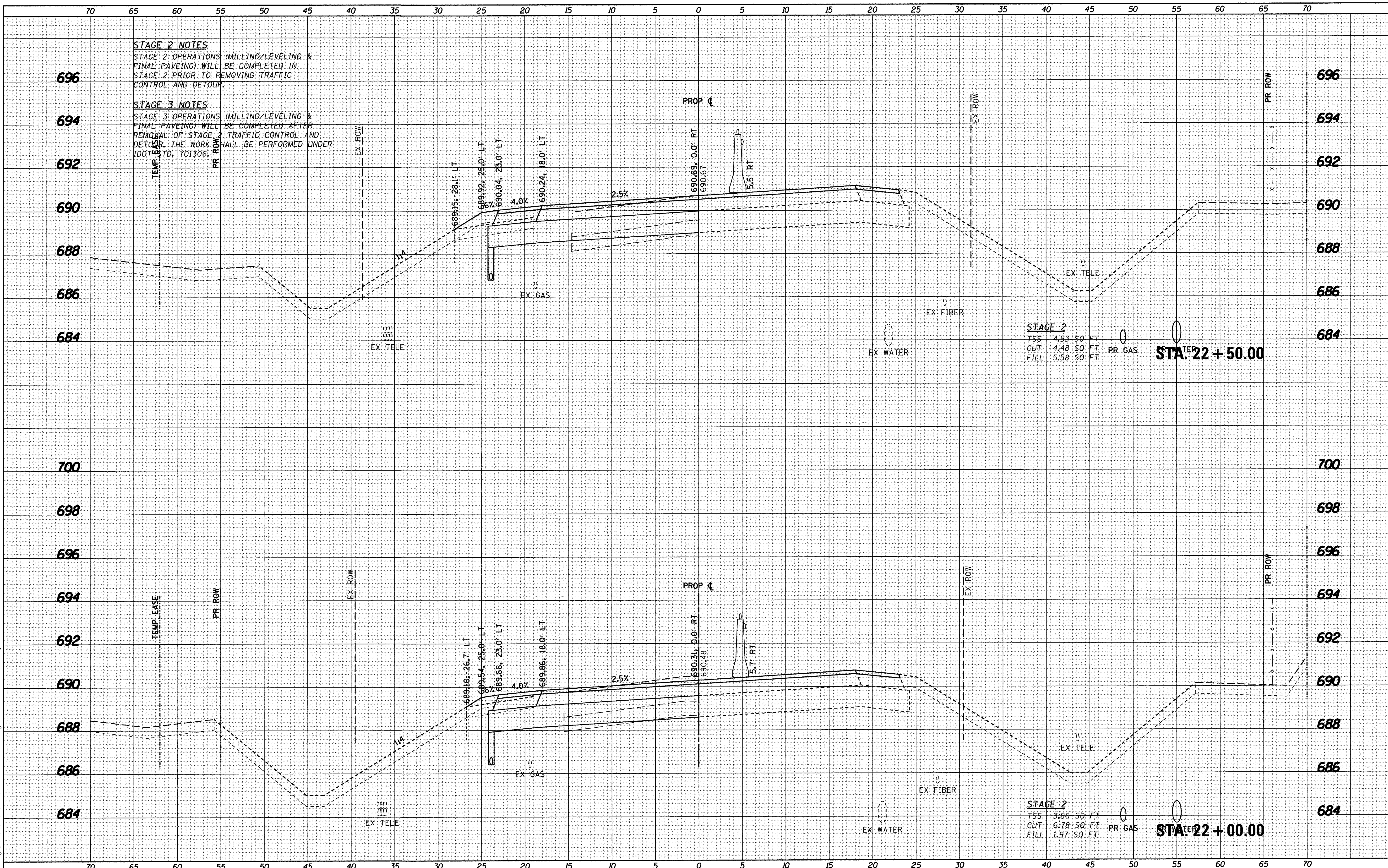
CROSS SECTIONS	
BLISS ROAD - STAGES 2 & 3	
SCALE: H:5 V:2	SHEET NO. 18 OF 26 SHEETS
STA. 21+00.00 TO STA. 21+50.00	

F.A.P. RTE. 520	SECTION 08-00058-02-BR	COUNTY KANE	TOTAL SHEETS 218	SHEET NO. 210
CONTRACT NO. 61D20				
ILLINOIS FED. AID PROJECT				

DATE	
BY	
FINAL SURVEY	
PLOTTED	
DATE	
AREAS CHECKED	
NO.	

DATE	
BY	
ORIGINAL SURVEY	
PLOTTED	
DATE	
AREAS CHECKED	
NO.	

FILE NAME = W:\Projects\2013\130282 01.as PH:\cadd\c\1\09\Sh\SSHT_ROW*STG2.dgn



WBK engineering
 WBK ENGINEERING, LLC
 116 WEST MAIN STREET, SUITE 201
 ST. CHARLES, ILLINOIS 60174
 (630) 443-7755

USER NAME = nparris	DESIGNED - SBP	REVISED - 10/17/16
PLOT SCALE = 1:5	DRAWN - NDP	REVISED -
PLOT DATE = 10/24/2016	CHECKED - DPB	REVISED -
	DATE - 8/8/16	REVISED -

**STATE OF ILLINOIS
 DEPARTMENT OF TRANSPORTATION**

CROSS SECTIONS	
BLISS ROAD - STAGES 2 & 3	
SCALE: H:5 V:2	SHEET NO. 19 OF 26 SHEETS
STA. 22+00.00 TO STA. 22+50.00	

F.A.P. RTE. 520	SECTION 08-0058-02-BR	COUNTY KANE	TOTAL SHEETS 218	SHEET NO. 211
CONTRACT NO. 61D20				
ILLINOIS FED. AID PROJECT				

STAGE 2 NOTES

STAGE 2 OPERATIONS (MILLING/LEVELING & FINAL PAVING) WILL BE COMPLETED IN STAGE 2 PRIOR TO REMOVING TRAFFIC CONTROL AND DETOUR.

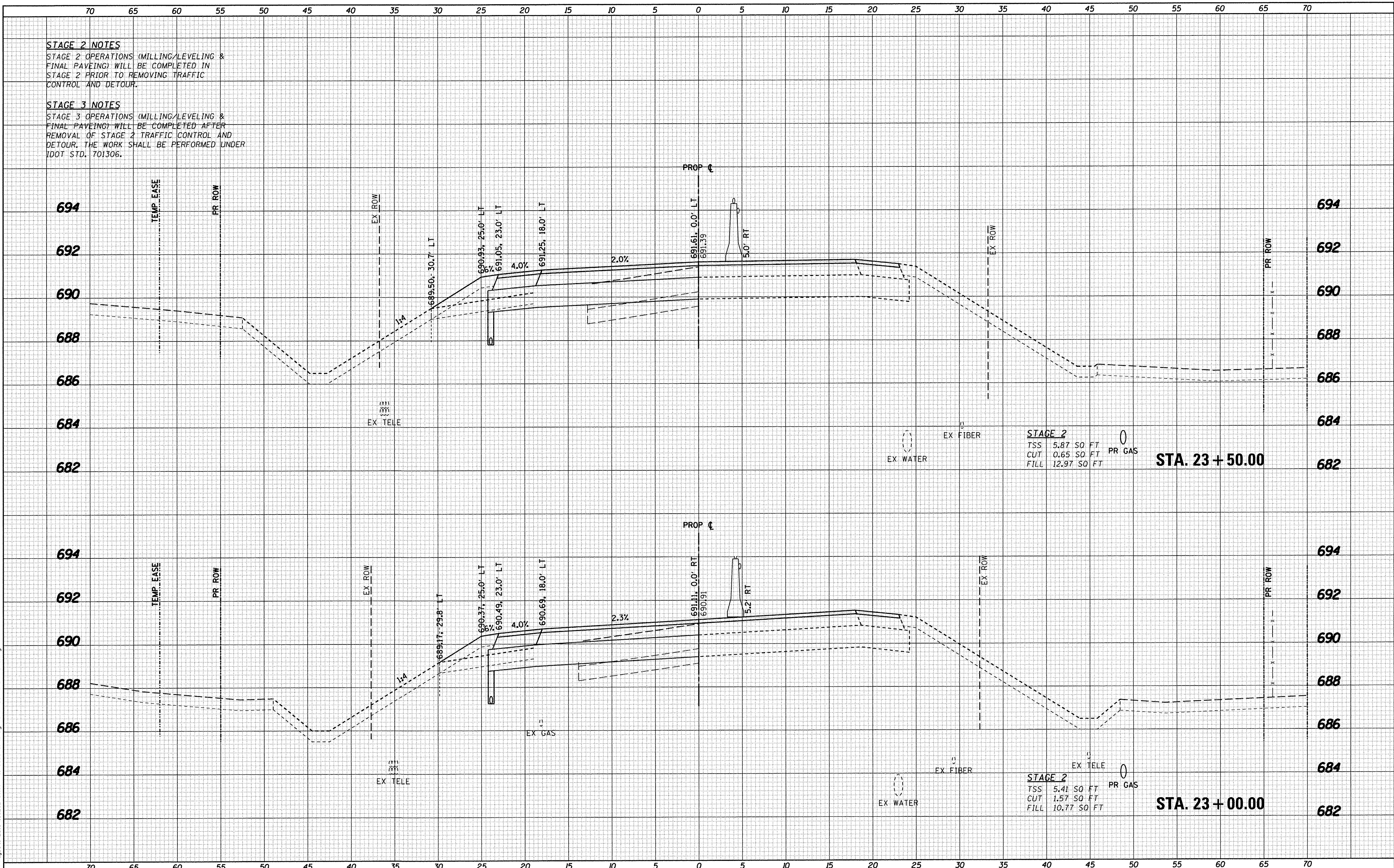
STAGE 3 NOTES

STAGE 3 OPERATIONS (MILLING/LEVELING & FINAL PAVING) WILL BE COMPLETED AFTER REMOVAL OF STAGE 2 TRAFFIC CONTROL AND DETOUR. THE WORK SHALL BE PERFORMED UNDER IDOT STD. 701306.

FINAL SURVEY	DATE
SURVEYED	
PLOTTED	
NOTE BOOK	
AREAS CHECKED	
NO.	

ORIGINAL SURVEY	DATE
SURVEYED	
PLOTTED	
NOTE BOOK	
AREAS CHECKED	
NO.	

FILE NAME = \\s:\projects\2013\130282 - Bliss Rd\Drawings\2013\130282 - Bliss Rd\Drawings\Bliss Rd\Bliss Rd - STG 2.dwg



WBK engineering
 WBK ENGINEERING, LLC
 116 WEST MAIN STREET, SUITE 201
 ST. CHARLES, ILLINOIS 60174
 (630) 443-7755

USER NAME = nparr15
PLOT SCALE = 1:5
PLOT DATE = 10/24/2016

DESIGNED - SBP	REVISED - 10/17/16
DRAWN - NDP	REVISED -
CHECKED - DPB	REVISED -
DATE - 8/8/16	REVISED -

**STATE OF ILLINOIS
 DEPARTMENT OF TRANSPORTATION**

**CROSS SECTIONS
 BLISS ROAD - STAGES 2 & 3**

SCALE: H:5 V:2 SHEET NO. 20 OF 26 SHEETS STA. 23+00.00 TO STA. 23+50.00

F.A.P. RTE. 520	SECTION 08-00058-02-BR	COUNTY KANE	TOTAL SHEETS 218	SHEET NO. 212
				CONTRACT NO. 61D20
ILLINOIS FED. AID PROJECT				

STAGE 2 NOTES

STAGE 2 OPERATIONS (MILLING/LEVELING & FINAL PAVING) WILL BE COMPLETED IN STAGE 2 PRIOR TO REMOVING TRAFFIC CONTROL AND DETOUR.

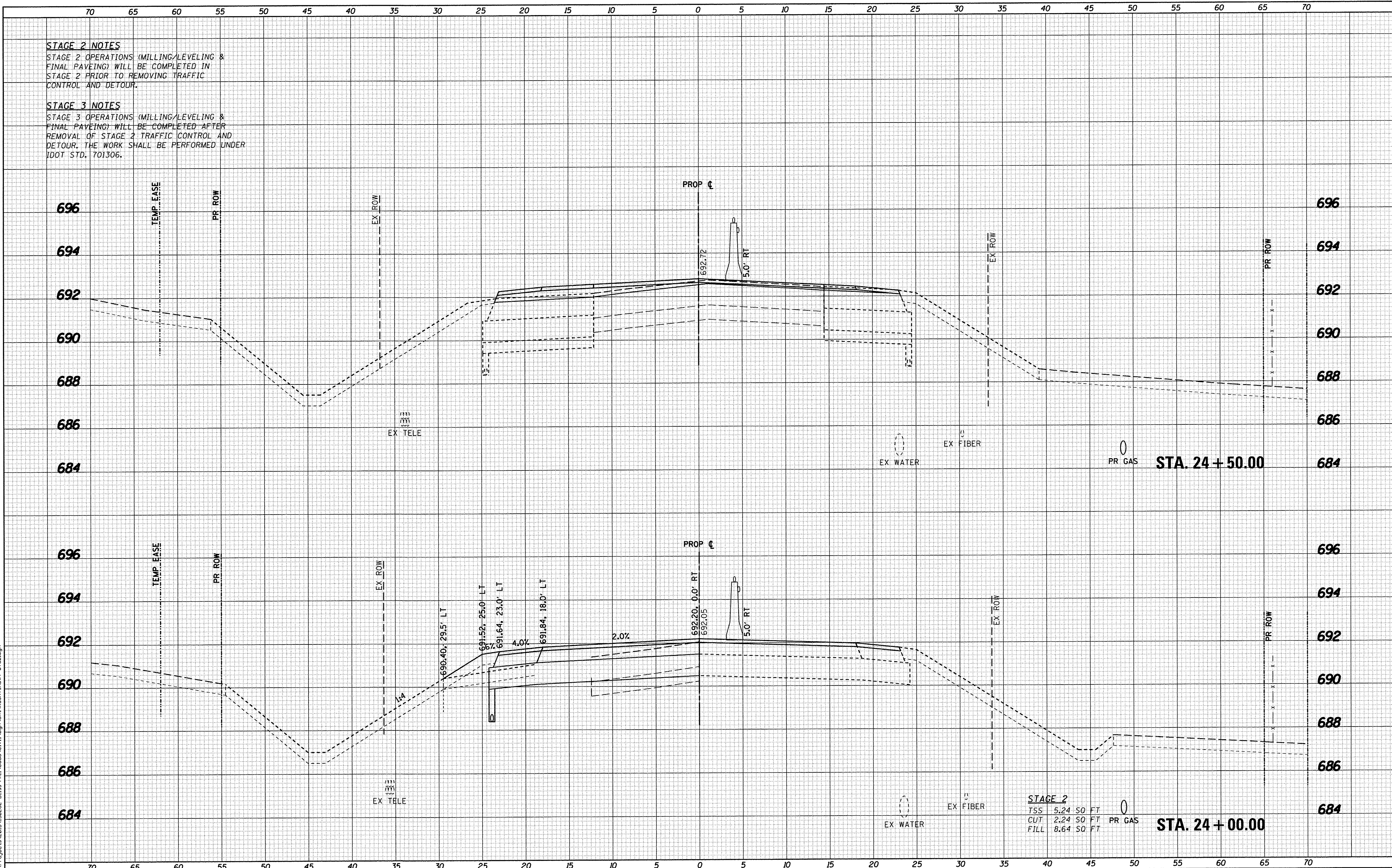
STAGE 3 NOTES

STAGE 3 OPERATIONS (MILLING/LEVELING & FINAL PAVING) WILL BE COMPLETED AFTER REMOVAL OF STAGE 2 TRAFFIC CONTROL AND DETOUR. THE WORK SHALL BE PERFORMED UNDER IDOT STD. 701306.

BY	DATE
SURVEYED	
PLOTTED	
TEMPLATE	
AREAS CHECKED	
NO.	

BY	DATE
SURVEYED	
PLOTTED	
TEMPLATE	
AREAS CHECKED	
NO.	

FILE NAME = W:\Projects\2013\130282 Bliss Rd\Drawings\SSHT_ROW\SSHT_ROW-STG2.dgn



WBK engineering
 WBK ENGINEERING, LLC
 116 WEST MAIN STREET, SUITE 201
 ST. CHARLES, ILLINOIS 60174
 (630) 443-7755

USER NAME = nparris	DESIGNED - SBP	REVISED - 10/17/16
PLOT SCALE = 1:5	DRAWN - NDP	REVISED -
PLOT DATE = 10/24/2016	CHECKED - DPB	REVISED -
	DATE - 8/8/16	REVISED -

**STATE OF ILLINOIS
 DEPARTMENT OF TRANSPORTATION**

CROSS SECTIONS
BLISS ROAD - STAGES 2 & 3

SCALE: H:5 V:2 SHEET NO. 21 OF 26 SHEETS STA. 24+00.00 TO STA. 24+50.00

F.A.P. RTE. 520	SECTION 08-00058-02-BR	COUNTY KANE	TOTAL SHEETS 218	SHEET NO. 213
				CONTRACT NO. 61D20
ILLINOIS FED. AID PROJECT				

STAGE 2 NOTES

STAGE 2 OPERATIONS (MILLING/LEVELING & FINAL PAVING) WILL BE COMPLETED IN STAGE 2 PRIOR TO REMOVING TRAFFIC CONTROL AND DETOUR.

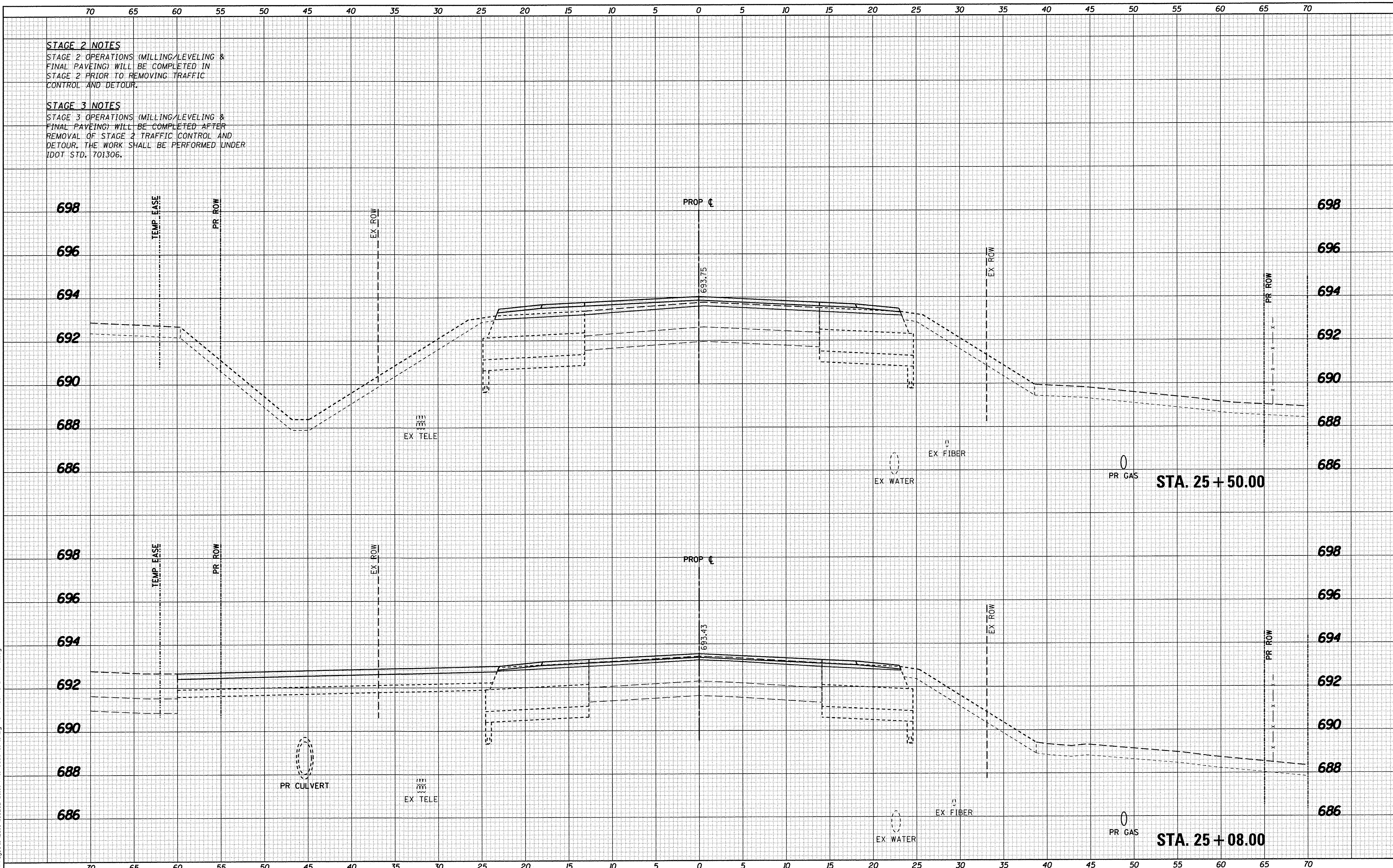
STAGE 3 NOTES

STAGE 3 OPERATIONS (MILLING/LEVELING & FINAL PAVING) WILL BE COMPLETED AFTER REMOVAL OF STAGE 2 TRAFFIC CONTROL AND DETOUR. THE WORK SHALL BE PERFORMED UNDER IDOT STD. 701306.

DATE	
BY	
FINAL SURVEY	
PLOTTED	
NOTE BOOK	
AREAS CHECKED	
NO.	

DATE	
BY	
ORIGINAL SURVEY	
PLOTTED	
NOTE BOOK	
AREAS CHECKED	
NO.	

FILE NAME = W:\Projects\2013\130282_Bliss\Drawings\2013\08\Bliss\SSHT_2013\SSHT_2013.dwg



WBK engineering
 WBK ENGINEERING, LLC
 116 WEST MAIN STREET, SUITE 201
 ST. CHARLES, ILLINOIS 60174
 (630) 443-7755

USER NAME = nparris	DESIGNED - SBP	REVISED - 10/17/16
PLLOT SCALE = 1/5	DRAWN - NDP	REVISED -
PLLOT DATE = 10/24/2016	CHECKED - DPB	REVISED -
	DATE - 8/8/16	REVISED -

**STATE OF ILLINOIS
 DEPARTMENT OF TRANSPORTATION**

CROSS SECTIONS	
BLISS ROAD - STAGES 2 & 3	
SCALE: H=5 V=2	SHEET NO. 22 OF 26 SHEETS STA. 25+08.00 TO STA. 25+50.00

F.A.P. RTE. 520	SECTION 08-00058-02-BR	COUNTY KANE	TOTAL SHEETS 218	SHEET NO. 214
CONTRACT NO. 61D20				
ILLINOIS FED. AID PROJECT				

70 65 60 55 50 45 40 35 30 25 20 15 10 5 0 5 10 15 20 25 30 35 40 45 50 55 60 65 70

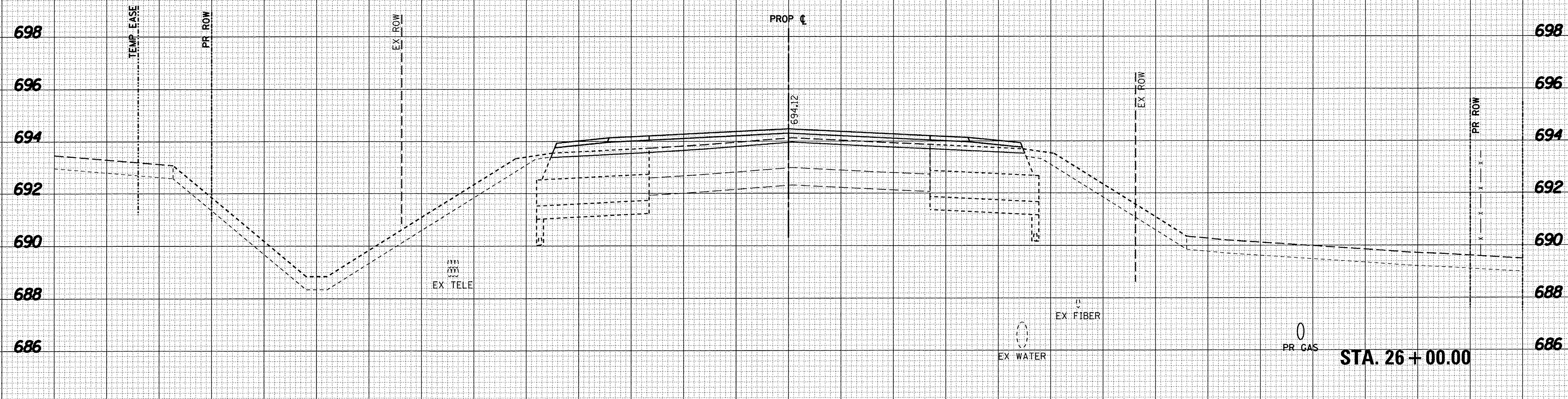
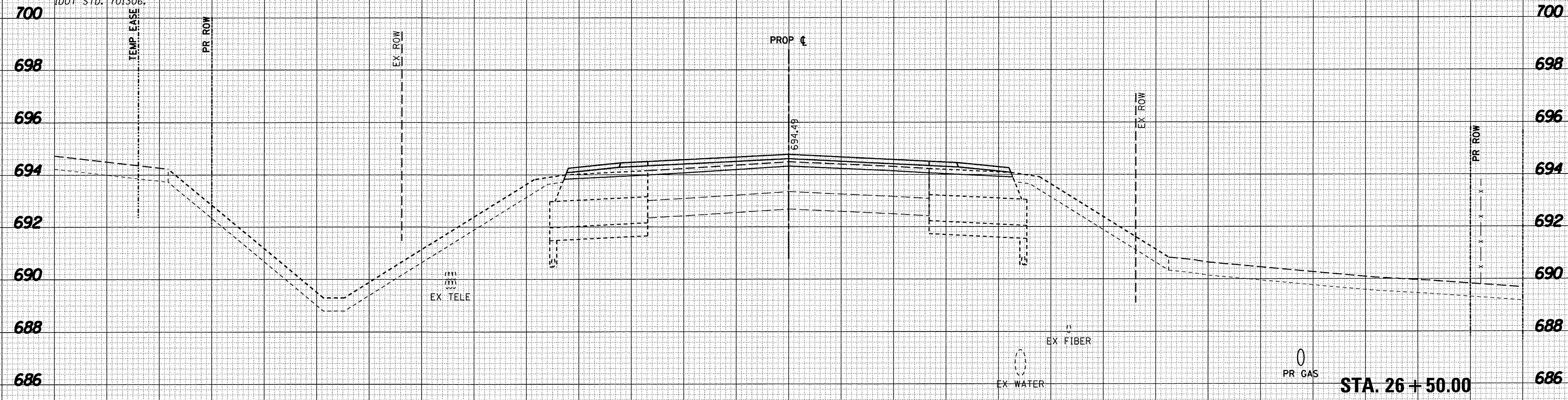
STAGE 2 NOTES
 STAGE 2 OPERATIONS (MILLING/LEVELING & FINAL PAVING) WILL BE COMPLETED IN STAGE 2 PRIOR TO REMOVING TRAFFIC CONTROL AND DETOUR.

STAGE 3 NOTES
 STAGE 3 OPERATIONS (MILLING/LEVELING & FINAL PAVING) WILL BE COMPLETED AFTER REMOVAL OF STAGE 2 TRAFFIC CONTROL AND DETOUR. THE WORK SHALL BE PERFORMED UNDER IDOT STD. 701306.

DATE	
BY	
SURVEYED	
PLOTTED	
AREAS CHECKED	
FINAL SURVEY	
NOTE BOOK	
NO.	

DATE	
BY	
SURVEYED	
PLOTTED	
AREAS CHECKED	
ORIGINAL SURVEY	
NOTE BOOK	
NO.	

FILE NAME = \\P:\projects\2013\130282_Bias\Plt\Cadd\Cv1\09m\Sh\X\SSHT_ROWY-STD2.dgn



70 65 60 55 50 45 40 35 30 25 20 15 10 5 0 5 10 15 20 25 30 35 40 45 50 55 60 65 70

WBK engineering
 WBK ENGINEERING, LLC
 116 WEST MAIN STREET, SUITE 201
 ST. CHARLES, ILLINOIS 60174
 (630) 443-7755

USER NAME = nparris	DESIGNED - SBP	REVISED - 10/17/16
PLLOT SCALE = 1:5	DRAWN - NDP	REVISED -
PLLOT DATE = 10/24/2016	CHECKED - DPB	REVISED -
	DATE - 8/8/16	REVISED -

**STATE OF ILLINOIS
 DEPARTMENT OF TRANSPORTATION**

CROSS SECTIONS	
BLISS ROAD - STAGES 2 & 3	
SCALE: H:5 V:2	SHEET NO. 23 OF 26 SHEETS
STA. 26+00.00 TO STA. 26+50.00	

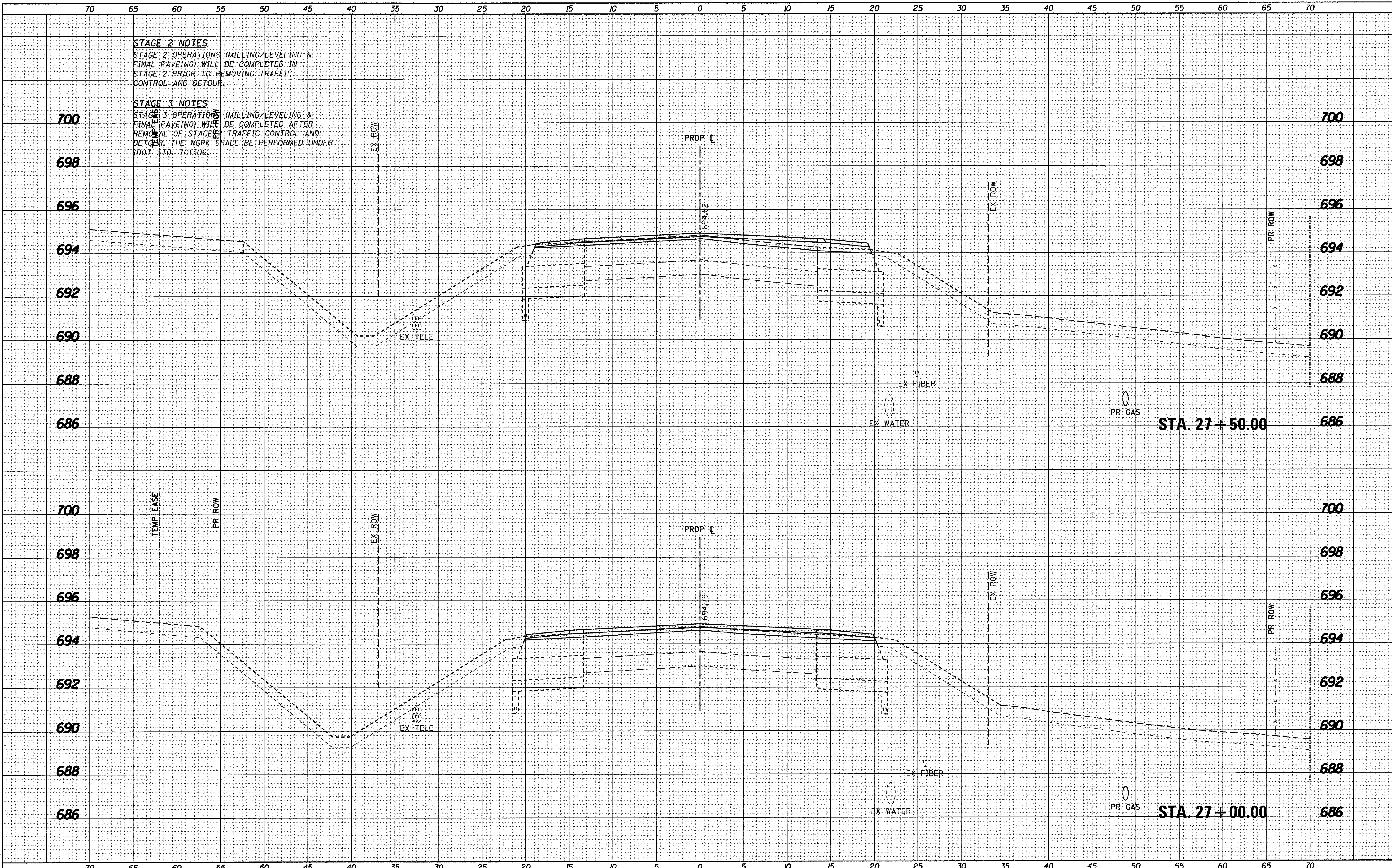
F.A.P. RTE.	SECTION	COUNTY	TOTAL SHEETS	SHEET NO.
520	08-00058-02-BR	KANE	218	215
CONTRACT NO. 61D20			ILLINOIS FED. AID PROJECT	

STAGE 2 NOTES

STAGE 2 OPERATIONS (MILLING/LEVELING & FINAL PAVING) WILL BE COMPLETED IN STAGE 2 PRIOR TO REMOVING TRAFFIC CONTROL AND DETOUR.

STAGE 3 NOTES

STAGE 3 OPERATIONS (MILLING/LEVELING & FINAL PAVING) WILL BE COMPLETED AFTER REMOVAL OF STAGE 2 TRAFFIC CONTROL AND DETOUR. THE WORK SHALL BE PERFORMED UNDER IDOT STD. 701306.



DATE	
BY	
SURVEYED	
PLOTTED	
NOTE BOOK	
AREAS CHECKED	
NO.	

DATE	
BY	
SURVEYED	
PLOTTED	
NOTE BOOK	
AREAS CHECKED	
NO.	

FILE NAME = \\P:\projects\2013\130282_Bliss\Drawings\Civil\Drawings\SSHT\SSHT_ROWY-STG2.dgn

WBK engineering
 WBK ENGINEERING, LLC
 116 WEST MAIN STREET, SUITE 201
 ST. CHARLES, ILLINOIS 60174
 (630) 443-7755

USER NAME = nparris	DESIGNED - SBP	REVISED - 10/17/16
PLOT SCALE = 1:5	DRAWN - NDP	REVISED -
PLOT DATE = 10/24/2016	CHECKED - DPB	REVISED -
	DATE - 8/8/16	REVISED -

**STATE OF ILLINOIS
DEPARTMENT OF TRANSPORTATION**

SCALE: H5 V2	SHEET NO. 24 OF 26 SHEETS	STA. 27+00.00 TO STA. 27+50.00
--------------	---------------------------	--------------------------------

**CROSS SECTIONS
BLISS ROAD - STAGES 2 & 3**

F.A.P. RTE. 520	SECTION 08-00058-02-BR	COUNTY KANE	TOTAL SHEETS 218	SHEET NO. 216
CONTRACT NO.61D20			ILLINOIS FED. AID PROJECT	

STAGE 2 NOTES

STAGE 2 OPERATIONS (MILLING/LEVELING & FINAL PAVING) WILL BE COMPLETED IN STAGE 2 PRIOR TO REMOVING TRAFFIC CONTROL AND DETOUR.

STAGE 3 NOTES

STAGE 3 OPERATIONS (MILLING/LEVELING & FINAL PAVING) WILL BE COMPLETED AFTER REMOVAL OF STAGE 2 TRAFFIC CONTROL AND DETOUR. THE WORK SHALL BE PERFORMED UNDER IDOT STD. 701306.

698

696

694

692

690

688

686

700

698

696

694

692

690

688

686

698

696

694

692

690

688

686

700

698

696

694

692

690

688

686

STA. 28 + 50.00

STA. 28 + 00.00

PROP

PROP

694.51

694.64

EX TELE

EX TELE

EX FIBER

EX WATER

EX FIBER

EX WATER

PR GAS

PR GAS

TEMP EASE

TEMP EASE

PR ROW

PR ROW

EX ROW

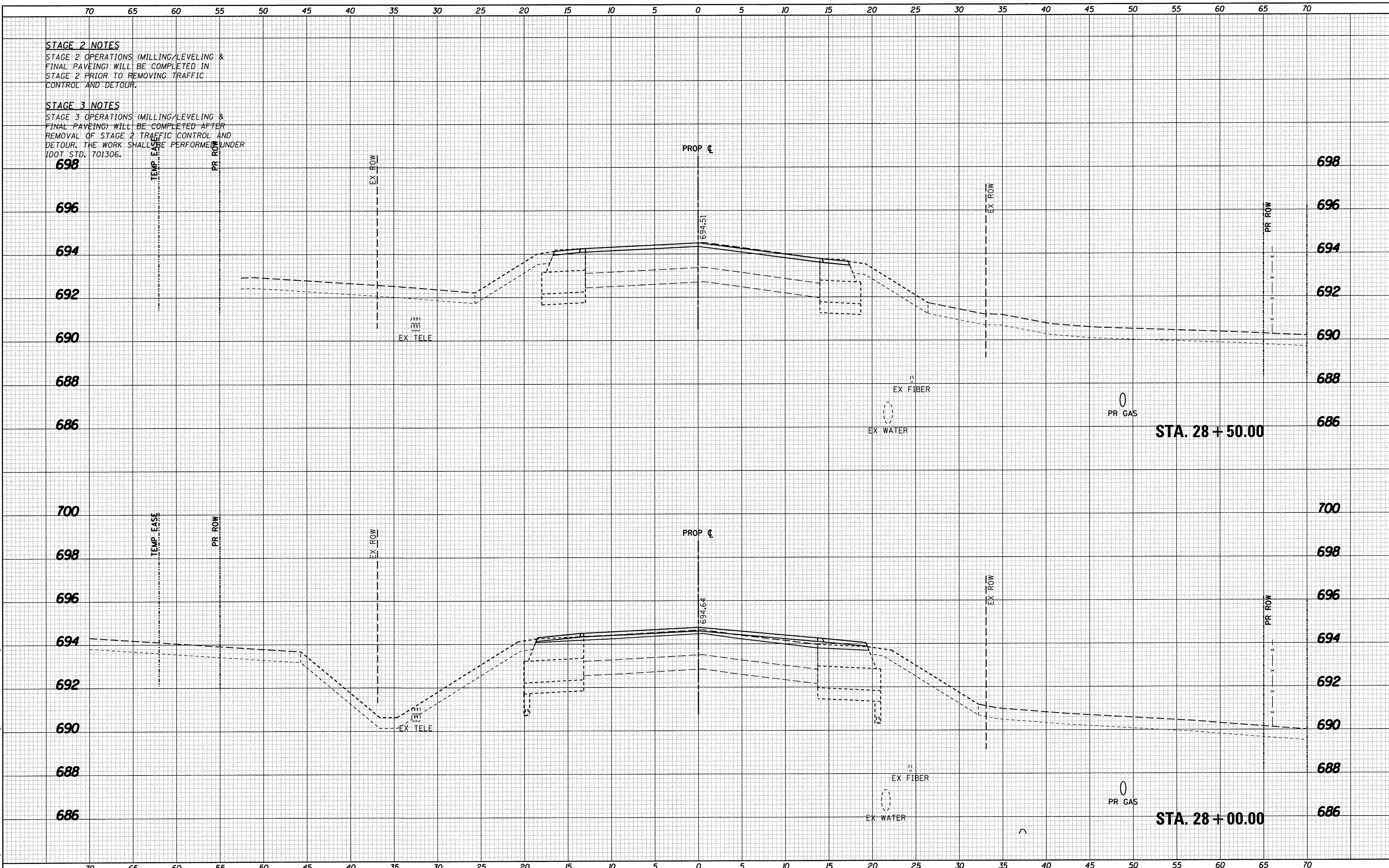
EX ROW

EX ROW

EX ROW

PR ROW

PR ROW



DATE	
BY	
SURVEYED	
PLOTTED	
AREAS CHECKED	
FINAL SURVEY NOTE BOOK NO.	

DATE	
BY	
SURVEYED	
PLOTTED	
AREAS CHECKED	
ORIGINAL SURVEY NOTE BOOK NO.	

WBK engineering
 WBK ENGINEERING, LLC
 116 WEST MAIN STREET, SUITE 201
 ST. CHARLES, ILLINOIS 60174
 (630) 443-7755

USER NAME = nparris	DESIGNED - SBP	REVISED - 10/17/16
PLOT SCALE = 1/5	DRAWN - NDP	REVISED -
PLOT DATE = 10/24/2016	CHECKED - DPB	REVISED -
	DATE - 8/8/16	REVISED -

**STATE OF ILLINOIS
 DEPARTMENT OF TRANSPORTATION**

SCALE: H/S V/2	SHEET NO. 25 OF 26 SHEETS	STA. 28+00.00 TO STA. 28+50.00
----------------	---------------------------	--------------------------------

**CROSS SECTIONS
 BLISS ROAD - STAGES 2 & 3**

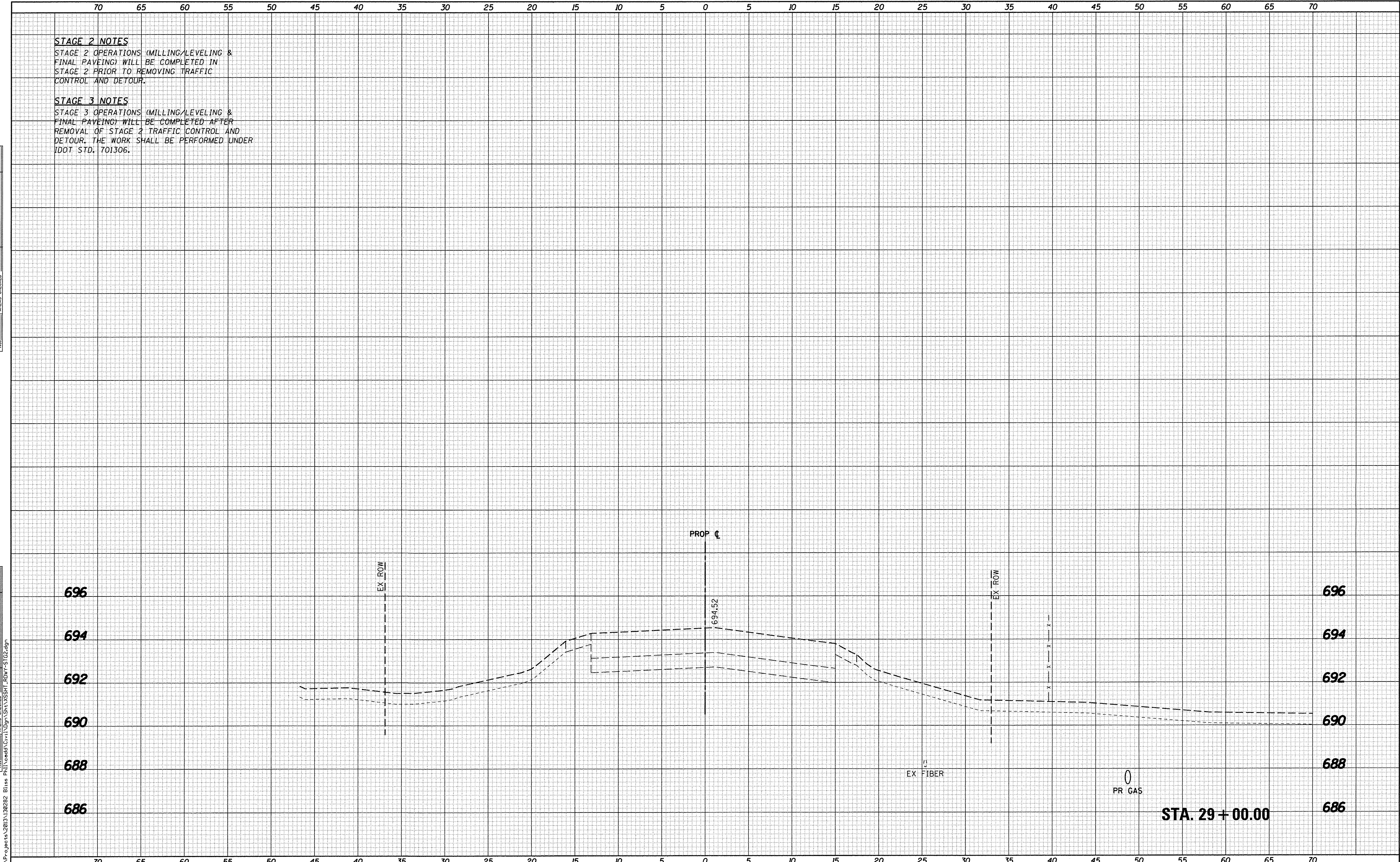
F.A.P. RTE. 520	SECTION 08-00058-02-BR	COUNTY KANE	TOTAL SHEETS 218	SHEET NO. 217
				CONTRACT NO. 61D20
ILLINOIS FED. AID PROJECT				

STAGE 2 NOTES
 STAGE 2 OPERATIONS (MILLING/LEVELING & FINAL PAVING) WILL BE COMPLETED IN STAGE 2 PRIOR TO REMOVING TRAFFIC CONTROL AND DETOUR.

STAGE 3 NOTES
 STAGE 3 OPERATIONS (MILLING/LEVELING & FINAL PAVING) WILL BE COMPLETED AFTER REMOVAL OF STAGE 2 TRAFFIC CONTROL AND DETOUR. THE WORK SHALL BE PERFORMED UNDER IDOT STD. 701306.

DATE	
BY	
SURVEYED	
PLOTTED	
NOTE BOOK	
AREAS CHECKED	
NO.	

DATE	
BY	
SURVEYED	
PLOTTED	
NOTE BOOK	
AREAS CHECKED	
NO.	



WBK engineering
 116 WEST MAIN STREET, SUITE 201
 ST. CHARLES, ILLINOIS 60174
 (630) 443-7755

USER NAME = nparris	DESIGNED - SBP	REVISED - 10/17/16
PLOT SCALE = 1/5	DRAWN - NDP	REVISED -
PLOT DATE = 10/24/2016	CHECKED - DPB	REVISED -
	DATE - 8/8/16	REVISED -

**STATE OF ILLINOIS
 DEPARTMENT OF TRANSPORTATION**

CROSS SECTIONS	
BLISS ROAD - STAGES 2 & 3	
SCALE: H=5 V=2	SHEET NO. 26 OF 26 SHEETS
STA. 29+00.00 TO STA. 29+00.00	

F.A.P. RTE.	SECTION	COUNTY	TOTAL SHEETS	SHEET NO.
520	08-00058-02-BR	KANE	218	218
CONTRACT NO. 61D20				
ILLINOIS FED. AID PROJECT				